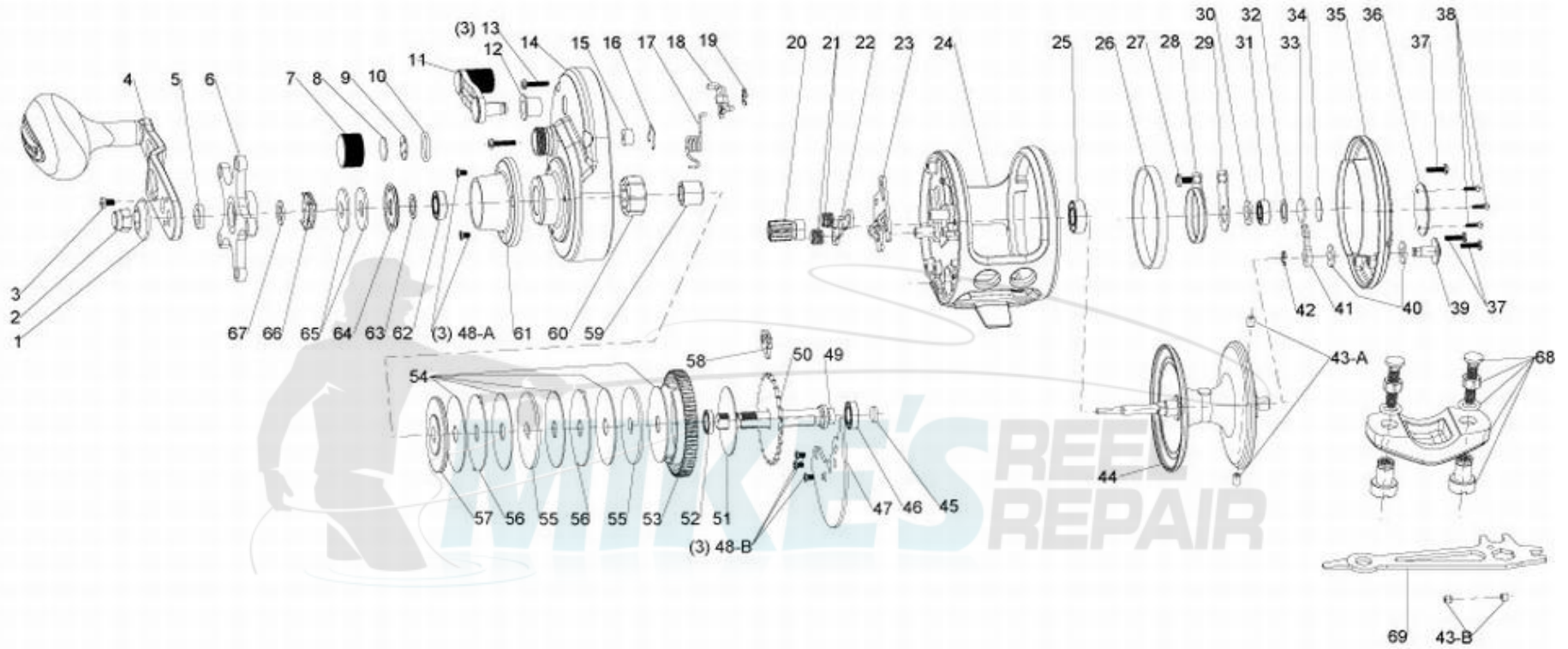


FIN-NOR[®]

LEGENDARY TACKLE SINCE 1933

Lethal LTC30H



FIN-NOR®

LEGENDARY TACKLE SINCE 1933

Lethal LTC30H

Fin_Nor Lethal Reel

| Key No. | Description | Part No. | Qty. | Key No. | Description | Part No. | Qty. |
|---------|------------------------------|----------|------|---------|-----------------------------|-----------|------|
| | | LTC30H | | | | LTC30H | |
| 1 | HANDLE NUT PLATE | SF034-01 | 1 | 36 | MEDALLION | N/A | 0 |
| 2 | HANDLE NUT | RF003-01 | 1 | 37 | COVER SCREW | RF057-02 | 3 |
| 3 | HANDLE NUT SCREW | RF065-01 | 1 | 38 | SCREW | N/A | 0 |
| 4 | CRANK HANDLE ASSY | RF318-03 | 1 | 39 | SPOOL CLICK BUTTON | RF109-01 | 1 |
| 5 | SPACER | RF094-01 | 1 | 40 | CLICK BUTTON WASHER | RF081-01 | 2 |
| 6 | DRAG STAR ASSY | RF355-03 | 1 | 41 | SPOOL CLICK PAWL | RF108-01 | 1 |
| 7 | SPOOL TENSION CAP | RF033-02 | 1 | 42 | RETAINER RING - SPOOL CLICK | RF020-01 | 1 |
| 8 | SPACER "A" | RF032-01 | 1 | 43-A | BRAKE SLEEVE | RF044-01 | 2 |
| 9 | SPACER "B" | RF082-01 | 1 | 43-B | BRAKE SLEEVE | RF044-02 | 2 |
| 10 | O RING | RF101-01 | 1 | 44 | SPOOL ASSY | TF321-05 | 1 |
| 11 | CLUTCH LEVER ASSY | RF309-02 | 1 | 45 | DRIVE SHAFT PAD (FELT) | RF155-01 | 1 |
| 12 | CLUTCH LEVER COLLAR | RF160-01 | 1 | 46 | BALL BEARING | SF117-01 | 1 |
| 13 | COVER SCREW | RF057-01 | 3 | 47 | DRIVE SHAFT RETAINER | RF002-51 | 1 |
| 14 | RIGHT SIDE COVER ASSY | RF324-09 | 1 | 48-A | SCREW | RF107-01 | 3 |
| 15 | BUSHING | RF088-02 | 1 | 48-B | SCREW | RF107-01 | 3 |
| 16 | BUSHING RETAINER | RF080-01 | 1 | 49 | DRIVE SHAFT | RF008-02 | 1 |
| 17 | CLUTCH SPRING | RF104-01 | 1 | 50 | A/R/ RATCHET | RF091-01 | 1 |
| 18 | CLUTCH CAM ASSY | RF384-01 | 1 | 51 | DRAG WASHER "B" | RF111-01 | 1 |
| 19 | RETAINER RING - CLUTCH LEVER | RF092-01 | 1 | 52 | BALL BEARING | TF117-01 | 1 |
| 20 | PINION | RF011-02 | 1 | 53 | DRIVE GEAR | RF012-02 | 1 |
| 21 | YOKE SPRING | RF040-01 | 2 | 54 | DRAG WASHER "A" (FRICTION) | RF059-03 | 5 |
| 22 | YOKE | RF025-01 | 1 | 55 | KEYED DRAG WASHER | RF045-01 | 2 |
| 23 | YOKE PLATE | RF039-01 | 1 | 56 | TABBED DRAG WASHER | RF048-01 | 2 |
| 24 | FRAME ASSEMBLY | TF301-02 | 1 | 57 | SPRING WASHER | RF046-01 | 1 |
| 25 | BALL BEARING | RF058-02 | 1 | 58 | A/R PAWL ASSY | RF363-01 | 1 |
| 26 | CENTRIFUGAL BRAKE RING | RF042-01 | 1 | 59 | CLUTCH SLEEVE | RF159-01 | 1 |
| 27 | SPOOL CLICK SPRING SCREW | RF053-01 | 1 | 60 | CLUTCH | RF131-01 | 1 |
| 28 | SPOOL CLICK SPRING | RF022-01 | 1 | 61 | HOOD | RF027-03 | 1 |
| 29 | BEARING RETAINER | RF129-01 | 1 | 62 | BALL BEARING | RF058-01 | 1 |
| 30 | BEARING WASHER "D" (FELT) | RF122-01 | 1 | 63 | BEARING WASHER | RF121-01 | 1 |
| 31 | BALL BEARING | RF017-01 | 1 | 64 | SPRING WASHER | RF046-02 | 2 |
| 32 | BEARING WASHER "C" | RF035-02 | 1 | 65 | CLICK SPRING ASSEMBLY | RF314-01 | 1 |
| 33 | BEARING WASHER "B" | RF038-01 | 1 | 66 | BEARING WASHER | RF121-02 | 1 |
| 34 | BEARING WASHER "A" | RF035-01 | 1 | 67 | KIT - ROD CLAMP | RF4154-01 | 1 |
| 35 | PALM SIDE COVER ASSY | RF323-02 | 1 | 68 | WRENCH | RF113-01 | 1 |