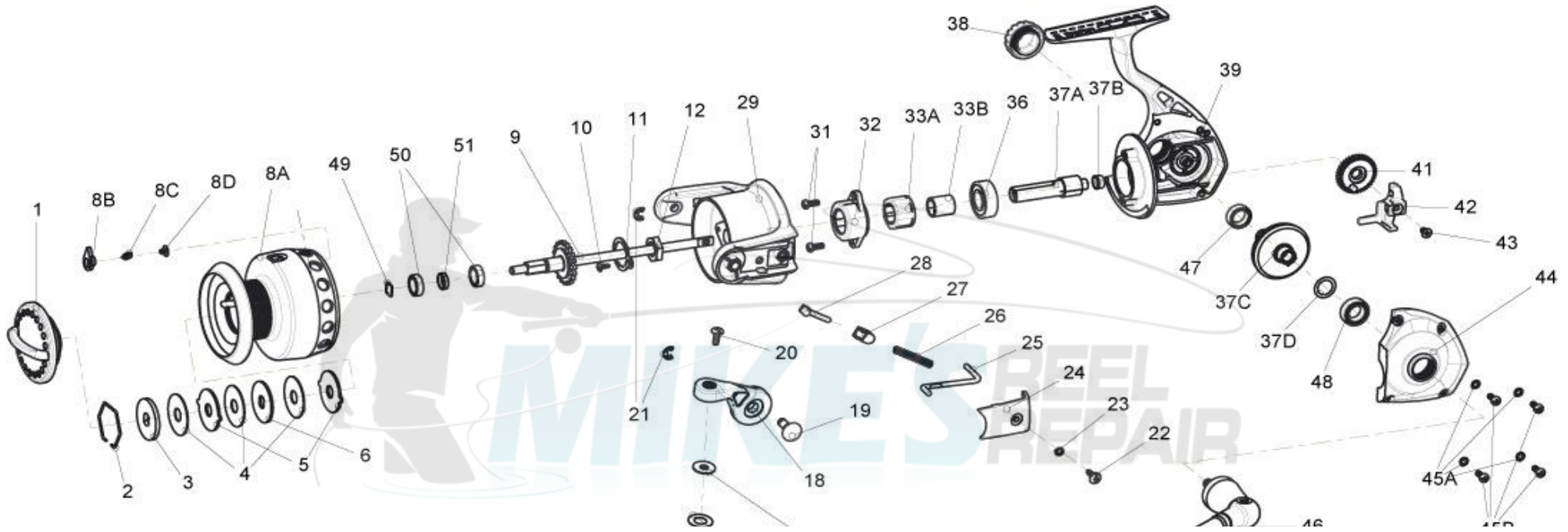


Lethal LT40



FIN-NOR®

LEGENDARY TACKLE SINCE 1933

Lethal LT40

Fin-Nor Lethal LT40 Reel Part List

Key #	Description	Qty	Part No.	Key #	Description	Qty	Part No.
1	DRAG KNOB ASSEMBLY	1	AT332-61	26	ACTUATOR SPRING	1	JO022-01
2	SPOOL RETAINER	1	RQ038-01	27	ACTUATOR	1	JO258-01
3	DRAG WASHER "D"	1	CO080-02	28	ACTUATOR SPRING PIN	1	JO031-01
4	DRAG WASHER "B"	3	CO033-01	29	ROTOR	1	CO009-03
5	DRAG WASHER "A"	2	CO081-01	30	PINION GEAR WASHER	1	N/A
6	DRAG WASHER "D"	1	CO080-01	31	SCREW - CLUTCH	2	HO077-01
7	SPOOL BUSHING	1	N/A	32	CLUTCH COVER	1	CO175-01
8	SPOOL ASSEMBLY KIT	1	HO421-03	33	CLUTCH ASSEMBLY KIT	1	CO4178-01
	8A - SPOOL ASSEMBLY	1	HO321-03		33A - CLUTCH HOUSING	1	CO178-01
	2 - SPOOL RETAINER	1	RQ038-01		33B - CLUTCH SLEEVE	1	CO139-01
	3 - DRAG WASHER - KEYED	1	CO080-02	34	WASHER - ADJUST CLUTCH	1	N/A
	4 - DRAG WASHER - FRICTION	3	CO033-01	35	SCREW - BEARING	2	N/A
	5 - DRAG WASHER - TABBED	2	CO081-01	36	BALL BEARING - PINION	1	XF058-01
	6 - DRAG WASHER - KEYED	1	CO080-01	37	GEAR KIT	1	CO4011-01
	7 - SPOOL BUSHING	1	N/A		37A - PINION GEAR	1	CO011-01
	8B - SPOOL CLICKER	1	JO103-01		37B - PINION BUSHING	1	SQ141-01
	8C - CLICK SPRING	1	JO068-01		37C - DRIVE GEAR	1	AT312-01
	8D - SCREW - CLICKER	1	CO077-01		37D - DRIVE GEAR ADJUST WASHER	1	GU105-13
9	MAINSHAFT ASSEMBLY	1	CO315-02	38	HANDLE CAP ASSEMBLY	1	AT373-61
10	ROTOR NUT LOCK SCREW	1	JO094-01	39	BODY	1	CO001-02
11	RETAINER - ROTOR NUT	1	CO214-01	40	OSCILLATOR GEAR BUSHING	1	N/A
12	ROTOR NUT	1	CO006-01	41	OSCILLATOR GEAR	1	CO353-01
13	BAIL ASSEMBLY	1	CO347-03	42	OSCILLATOR GEAR SLIDER	1	SQ025-01
14	LINE ROLLER	1	CH004-02	43	MAIN SHAFT SCREW	1	RQ100-01
15	LINE ROLLER BEARING	1	GH202-01	44	BODY COVER	1	CO023-03
16	LINE ROLLER WASHER	1	DH102-01	45	BODY COVER SCREW KIT	1	CO4057-01
17	LINE ROLLER COLLAR	1	CH102-01		45A - SCRATCH PROTECT WASHER	4	RQ142-01
18	ARM LEVER	1	CO007-03		45B - BODY COVER SCREW	4	TK157-01
19	PIN	1	CO042-03		45C - BODY COVER SCREW	1	N/A
20	SCREW - LINE SLIDER	1	AQ108-01	46	HANDLE ASSEMBLY	1	CO318-02
21	E-CLIP - BAIL ASSEMBLY	2	GH034-01	47	BALL BEARING - BODY	1	KT158-01
22	ARM LEVER COVER SCREW	1	GU077-02A	48	BALL BEARING - BODY COVER	1	TW058-03
23	ARM LEVER COVER WASHER	1	SQ142-01	49	RETAINING RING	1	CO036-01
24	ARM LEVER COVER	1	CO087-03	50	BALL BEARING - MAIN SHAFT	2	CH027-01
25	KICK LEVER	1	CO019-01	51	BUSHING - MAIN SHAFT	1	CO141-01