

SPECIFICATIONS:

| | |
|---------------|--------------|
| Year of Intro | 1998 |
| Thrust | 56LBS |
| Volts | 12/24VDC |
| Amp Draw | 0 to 34 amps |
| Mount | 20 Bow |
| Speeds | 10 Fwd |

QUICK REFERENCE PARTS GUIDE:

| |
|---------------------------|
| Momentary switch AP151-01 |
| Toggle Switch FP153-03 |
| Motor Seal Kit 6220 |
| Rotary Switch HF150-01 |

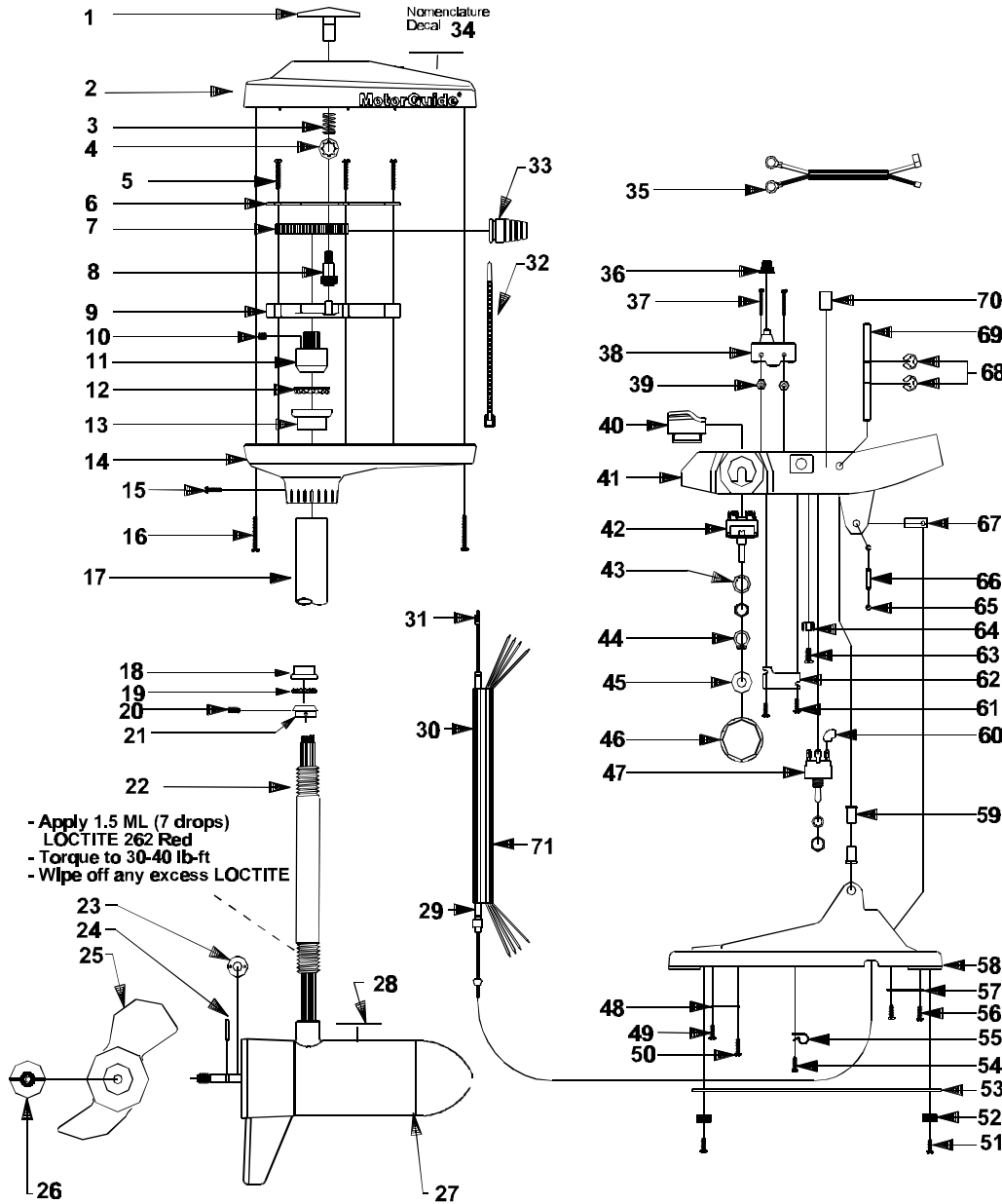
PARTS ORDERING & TECH ASSISTANCE

MotorGuide Consumer Relations
 Phone 918-831-6989
 Fax 800-982-8093

Send Returned Goods to:

MotorGuide
 605 Hwy 12 West
 Starkville, MS 39760

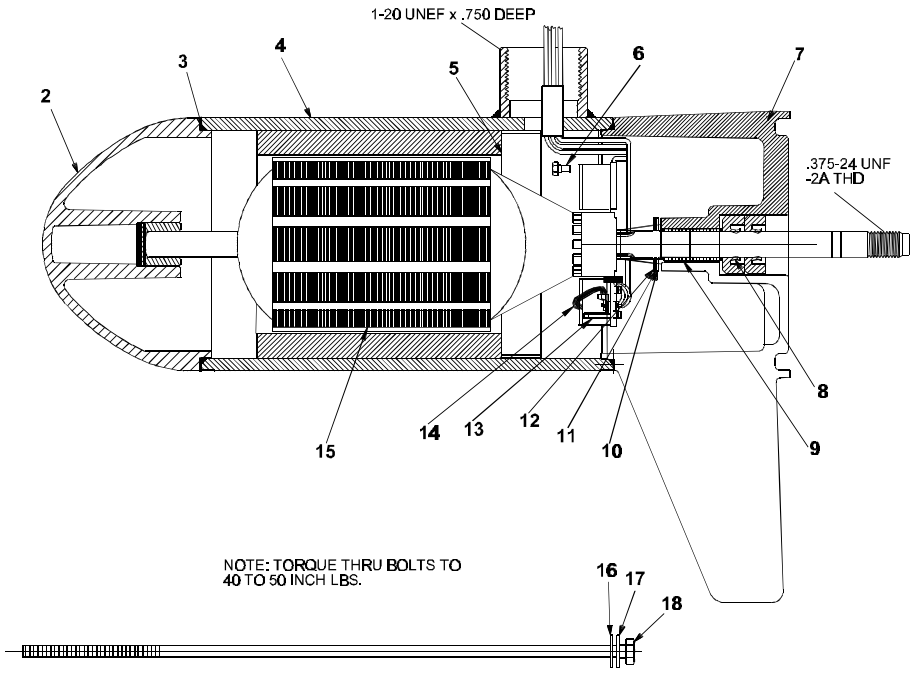
Returned Goods must be accompanied with a Returned Goods Authorization. Contact MotorGuide Consumer Relations to obtain RGA.



| KEY | DESCRIPTION | PART # | KEY | DESCRIPTION | PART # | KEY | DESCRIPTION | PART # |
|-----|----------------------------|----------|-----|----------------------------|----------|-----|---------------------------|-----------|
| 1 | INDICATOR BLACK | JF078-03 | 26 | PROP NUT | AR099-01 | 51 | 6 X 1/2 SCREW | AF135-01 |
| 2 | TOP HOUSING COVER BLACK | JF053-19 | 27 | LOWER UNIT | BF397-03 | 52 | FOOT PEDAL PAD | KP023-01 |
| 3 | COMPRESSION SPRING | AF014-01 | 28 | LOWER UNIT DECAL | ET060-04 | 53 | WEIGHT PLATE ASY | LP3123-01 |
| 4 | TINNERMAN CLIP | AF046-01 | 29 | 63" CONTROL CABLE STUD ASY | 9377 | 54 | 6 X 1/2 SCREW | AF135-01 |
| 5 | #6 RACK GUIDE SCREW | AF133-01 | 30 | 69" CONTROL CABLE STUD ASY | 9767 | 55 | CABLE CLAMP | KP036-01 |
| 6 | RACK GUIDE | AF127-01 | | 63" CONTROL CABLE ASY | LP327-06 | 56 | SCREWS | IR133-01 |
| 7 | RACK | AP125-01 | | 69" 5 SP CONTROL CABLE ASY | LP327-08 | 57 | FOOT PEDAL CLAMP | KP036-02 |
| 8 | INDICATOR GEAR | AF069-01 | 31 | CONTROL CABLE STUD | AP141-01 | 58 | FOOT PEDAL BASE | LP003-01 |
| 9 | RACK GUIDE COVER | AF126-01 | 32 | CABLE TIE | AF030-01 | 59 | SHAFT BUSHING | KP021-01 |
| 10 | 1/4 NUT SET SCREW | AF142-01 | 33 | GROMMET | AP071-01 | 60 | INSULATING SLEEVE | AT080-01 |
| 11 | NUT-SUB ASY | AF398-02 | 34 | NOMENCLATURE | BF056-08 | 61 | 6 X 1/2 SCREW | AF135-01 |
| 12 | BALL BEARING | AF005-01 | 35 | BATTERY CABLE ASY | KP328-09 | 62 | RETAINER PLATE | LP123-03 |
| 13 | BEARING CUP | AF007-01 | 36 | MICRO SWITCH BOOT | KP157-01 | 63 | #10 X 1/2" SCREW | GR133-01 |
| 14 | TOP HOUSING BASE F/O BLACK | JF004-03 | 37 | #6 32 X 1 1/2 SCREW | LP135-01 | 64 | TERMINAL (4PRONG) | FT160-03 |
| 15 | 6 X 5/8 SCREW | AP133-01 | 38 | MICRO SWITCH | AP151-01 | 65 | E RING | FP046-01 |
| 16 | 8 X 1-3/8 SCREW | AR133-01 | 39 | 6 - 32 NUT S.S | SP098-02 | 66 | CABLE PIVOT PIN | AP105-01 |
| 17 | 36" OUTER TUBE | AF165-01 | 40 | MICRO BUTTON | LP026-01 | 67 | CABLE PIVOT | LP091-01 |
| | 42/50" OUTER TUBE | AF165-06 | 41 | FOOT PEDAL | LP101-03 | 68 | E RING | BK046-01 |
| 18 | BEARING CUP | FM007-01 | 42 | ROTARY SWITCH | HF150-01 | 69 | FOOT PEDAL ROCKER PIN | LP102-01 |
| 19 | BALL BEARING | FM005-01 | 43 | LOCK WASHER 3/8 | KP171-01 | 70 | C.ON/MOM/HBP SWITCH DECAL | LP057-03 |
| 20 | SET SCREW | AF143-01 | 44 | GRIP RING | LP046-01 | 71 | 63" ELECTRIC CABLE JACKET | MM9006-02 |
| 21 | BEARING CONE | AF006-01 | 45 | NYLON WASHER | AK171-02 | | 69" ELECTRIC CABLE JACKET | MM9006-03 |
| 22 | 36" .187 ALUM. F/O COLUMN | DF049-01 | 46 | 5 SPEED KNOB | LP082-07 | | | |
| | 42" .187 ALUM. F/O COLUMN | DF049-02 | 47 | TOGGLE SWITCH 3 POSITIONS | FP153-03 | | | |
| 23 | MONOFILAMENT WASHER | AR175-01 | 48 | CABLE PLATE | KP123-01 | | | |
| 24 | PROP DRIVE PIN | BR102-01 | 49 | #6 SELF TAP SCREW | EK135-01 | | | |
| 25 | 3 BLADE NINJA PROP | AF124-10 | 50 | 6 X 1/2 SCREW | AF135-01 | | | |

LOWER UNIT BREAKDOWN

Model:
F56



WIRING

12/24V WIRING DIAGRAM

