

Model: ENERGY

ET38

EHB38

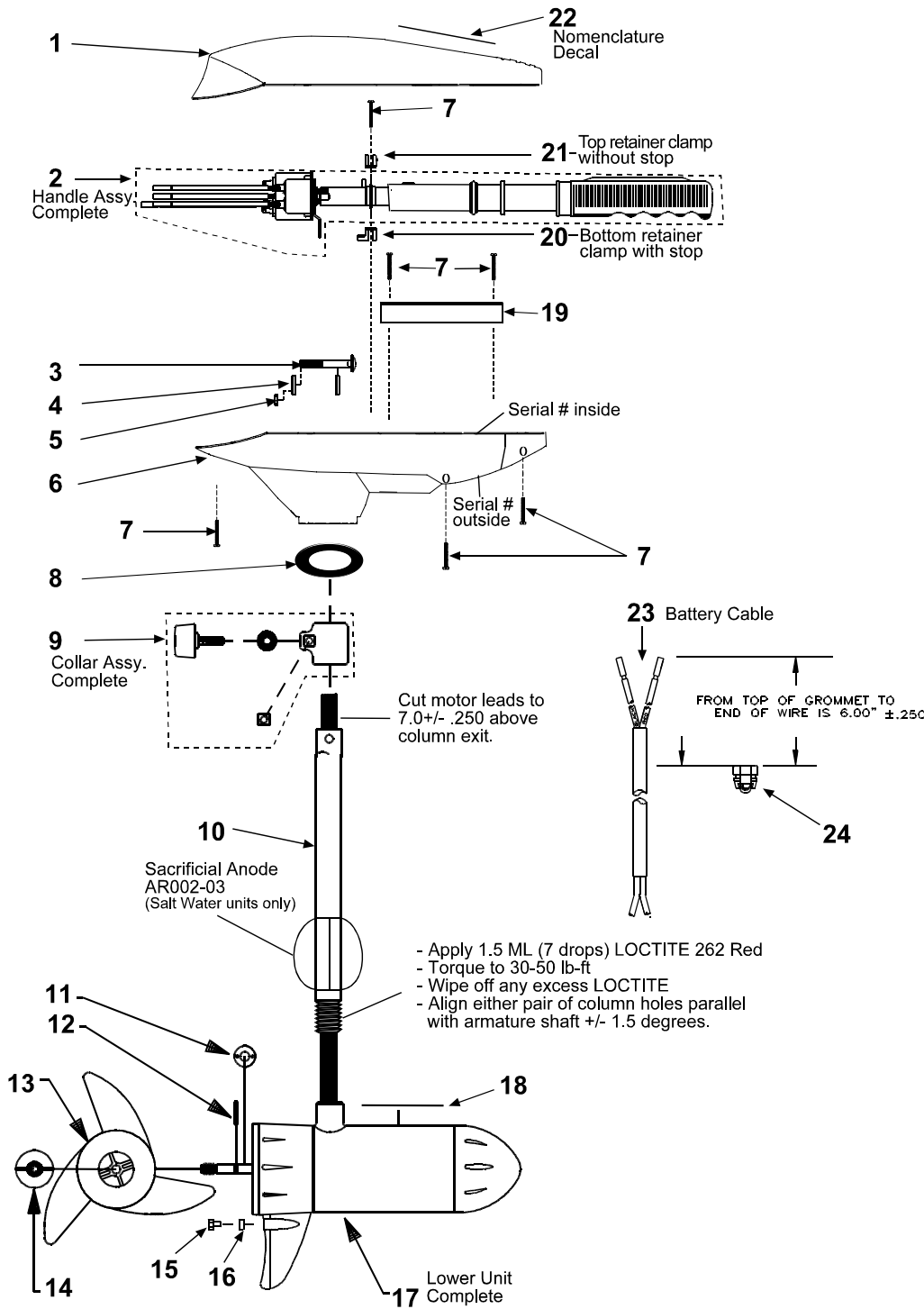
SPECIFICATIONS:

| | |
|---------------|-------------------------|
| Year of Intro | 2000 |
| Thrust | 38LBS |
| Volts | 12VDC |
| Amp Draw | 0 to 48 amps |
| Mount | 03 Transom or 01 BOW |
| Speeds | 5/2 |

PARTS ORDERING & TECH ASSISTANCE

MotorGuide Consumer Relations
Phone 918-831-6989
Fax 800-982-8093

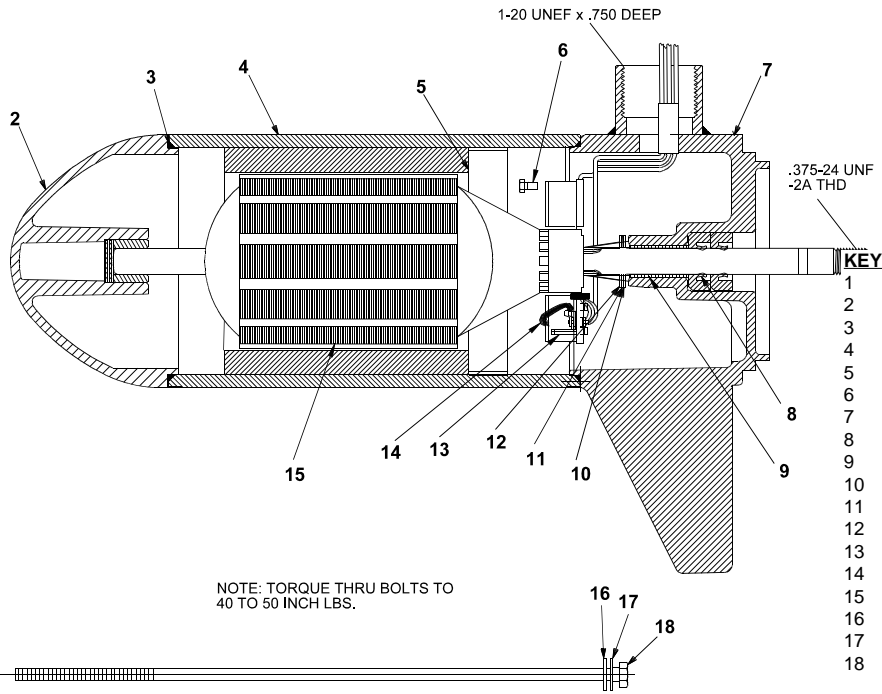
Returned Goods must be accompanied with a Returned Goods Authorization. Contact MotorGuide Consumer Relations to obtain RGA.



| KEY | DESCRIPTION | PART # | KEY | DESCRIPTION | PART # | KEY | DESCRIPTION | PART # |
|-----|-------------------------|----------|-----|------------------------------------|----------|-----|--------------------|----------|
| 1 | TOP HOUSING COVER BLACK | ET053-17 | 11 | MONOFILAMENT WASHER | AR175-01 | 22 | NOMENCLATURE DECAL | AT056-22 |
| 2 | HANDLE ASY | BT372-09 | 12 | PROP DRIVE PIN | BR102-01 | | ET38 | AT056-22 |
| 3 | BOLT | TT134-02 | 13 | PROP/3 BLADE | AF124-12 | | EHB38 | PT056-21 |
| 4 | CURVED WASHER | TT171-08 | | PROP/2 BLADE | AF124-07 | 23 | BATTERY CABLE | XT328-06 |
| 5 | NYLON LOCK NUT | XT098-02 | 14 | PROP NUT | AR099-01 | 24 | GROMMET | GR019-01 |
| 6 | T/H BASE BLACK | ET004-16 | 15 | ANODE BOLT (Saltwater models only) | DK133-01 | | | |
| 7 | #8 X 5/8 SCREW | AT141-01 | 16 | ANODE (Saltwater models only) | AR002-02 | | | |
| 8 | COLUMN SEAL | AT079-01 | 17 | MOTOR | PF397-04 | | | |
| 9 | DEPTH ADJUSTMENT COLLAR | AR158-01 | 18 | LOWER UNIT DECAL | ET060-08 | | | |
| 10 | COLUMN 36" | TT049-05 | 19 | CABLE PLATE | AT155-06 | | | |
| | COLUMN 42" | TT049-06 | 20 | BOTTOM RETAINER CLAMP | AR036-05 | | | |
| | COLUMN 50" | FR049-13 | 21 | UPPER RETAINER CLAMP | AR036-04 | | | |

LOWER UNIT BREAKDOWN

Model:
ET38



| QTY | DESCRIPTION | PART NO. |
|-----|-----------------------|-----------|
| X | MOTOR | PF397-04 |
| 2 | NOSE CAP | XF3212-01 |
| 3 | O RING SEAL | MR217-01 |
| 4 | HOUSING ASY | PF3210-01 |
| 5 | RETAINER | JF233-01 |
| 6 | BRUSH CARD SCREW | MR228-01 |
| 7 | COMM CAP | PF3205-03 |
| 8 | SHAFT SEAL | MR223-01 |
| 9 | BEARING | MR206-01 |
| 10 | NYLATRON WASHER | MR226-01 |
| 11 | WASHER | MR227-01 |
| 12 | E RING | MR219-02 |
| 13 | BRUSH SPRINGS | MR214-02 |
| 14 | BRUSH ASY LESS SPRING | DF3201-01 |
| 15 | ARMATURE | PF3207-01 |
| 16 | STATIC SEAL | MR222-01 |
| 17 | THRU BOLT WASHER | MR216-01 |
| 18 | THRU BOLT | MR218-14 |

WIRING

