

MotorGuide® REPAIR PARTS

Model: ET46 CAMO

SPECIFICATIONS:

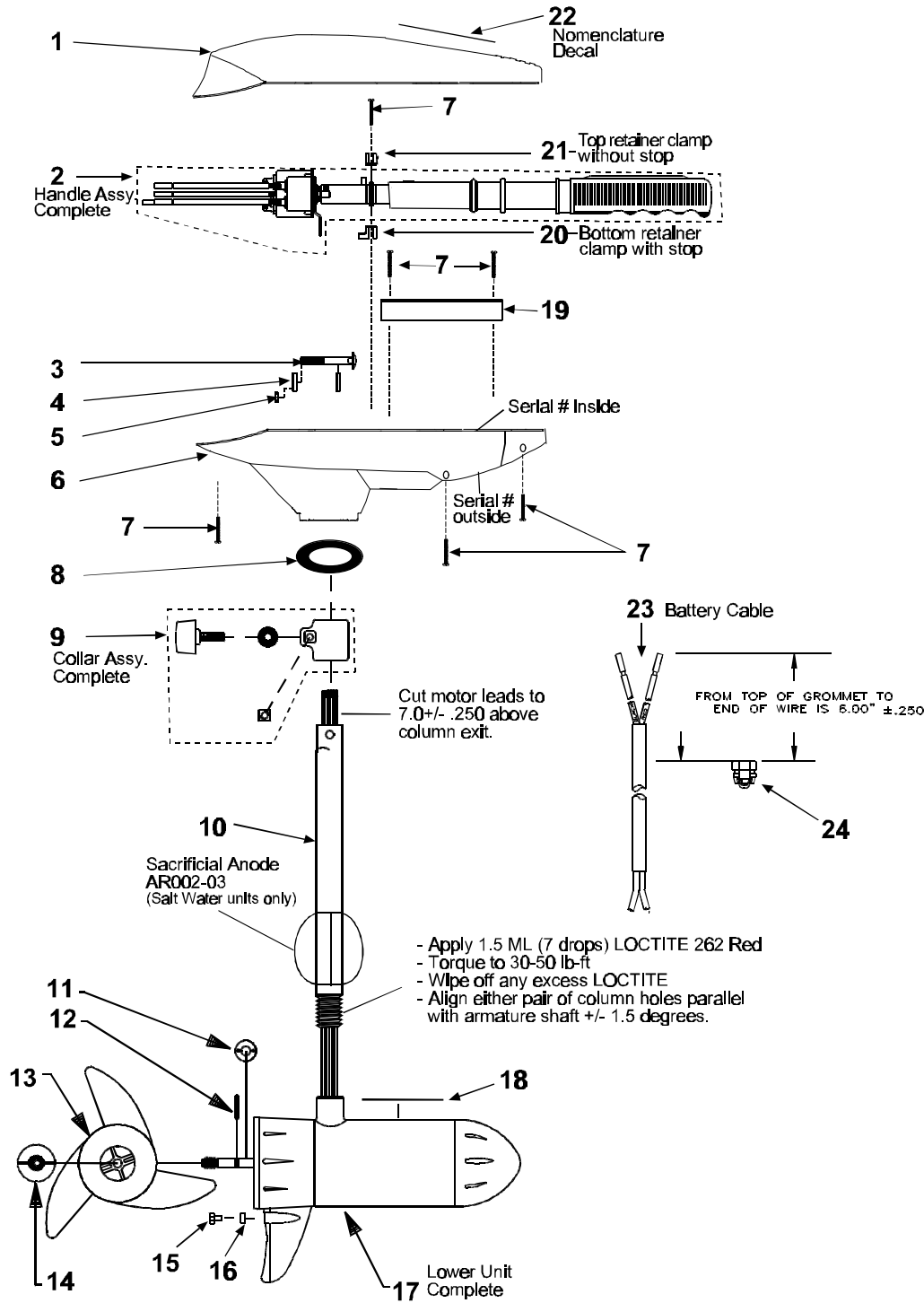
Year of Intro	2001
Thrust	46LBS
Volts	12VDC
Amp Draw	0 to 48 amps
Mount	03 Transom
Speeds	5/2

PARTS ORDERING & TECH ASSISTANCE

Consumer Relations	
Phone	800-841-2738
Fax	800-982-8093

RETURNING GOODS

Returned Goods must be accompanied with a Returned Goods Authorization. Contact MotorGuide Consumer Relations to obtain RGA.



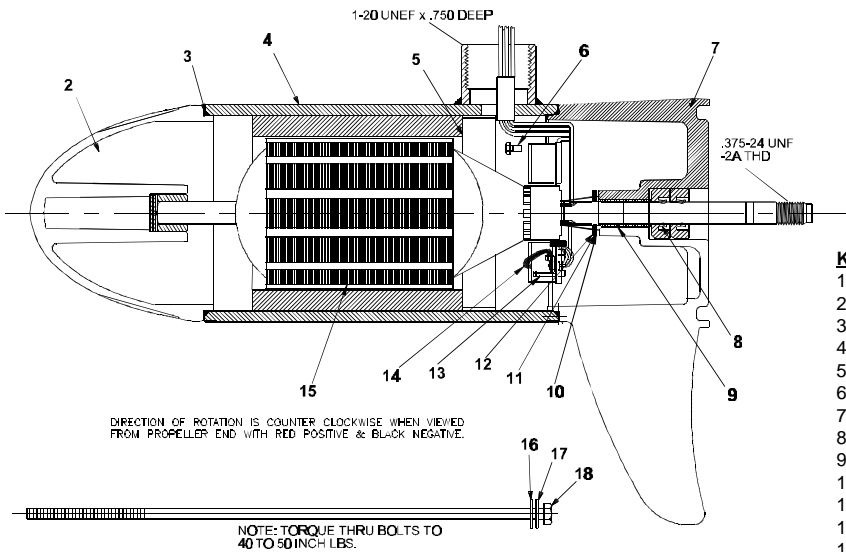
KEY	DESCRIPTION	PART #
1	TOP HOUSING COVER CAMO	ET053-22
2	HANDLE ASY	BT372-09
3	BOLT	TT134-02
4	CURVED WASHER	TT171-08
5	NYLON LOCK NUT	XT098-02
6	T/H BASE CAMO	ET004-17
7	#8 X 5/8 SCREW	AT141-01
8	COLUMN SEAL	AT079-01
9	DEPTH ADJUSTMENT COLLAR	AR158-01

KEY	DESCRIPTION	PART #
10	COLUMN 36"	MT049-13
11	MONOFILAMENT WASHER	AR175-01
12	PROP DRIVE PIN	BR102-01
13	PROP/3 BLADE	AF124-12
14	PROP NUT	AR099-01
15	ANODE BOLT (Saltwater models only)	DK133-01
16	ANODE (Saltwater models only)	AR002-02
17	MOTOR	ET397-04

KEY	DESCRIPTION	PART #
18	LOWER UNIT DECAL	ET060-08
19	CABLE PLATE	AT155-06
20	BOTTOM RETAINER CLAMP	AR036-05
21	UPPER RETAINER CLAMP	AR036-04
22	NOMENCLATURE DECAL	HT056-15
23	BATTERY CABLE	XT328-06
24	GROMMET	GR019-01

LOWER UNIT BREAKDOWN

Model:
ET46 CAMO



DIRECTION OF ROTATION IS COUNTER CLOCKWISE WHEN VIEWED FROM PROPELLER END WITH RED POSITIVE & BLACK NEGATIVE.

NOTE: TORQUE THRU BOLTS TO 40 TO 50 INCH LBS.

KEY	QTY	DESCRIPTION	PART NO.
1	X	MOTOR	ET397-03
2	1	NOSE CAP	XF3212-01
3	2	O RING SEAL	MR217-01
4	1	HOUSING ASY	ET3210-01
5	1	RETAINER	JF233-01
6	2	BRUSH CARD SCREW	MR228-01
7	1	COMM CAP	PF3205-03
8	2	SHAFT SEAL	MR223-01
9	1	BEARING	MR206-01
10	1	NYLATRON WASHER	MR226-01
11	1	WASHER	MR227-01
12	1	E RING	MR219-01
13	2	BRUSH SPRINGS	MR214-02
14	1	BRUSH ASY LESS SPRING	DF3201-01
15	1	ARMATURE	KF3207-01
16	4	STATIC SEAL	MR222-01
17	4	THRU BOLT WASHER	MR216-02
18	2	THRU BOLT	MR218-01

WIRING

