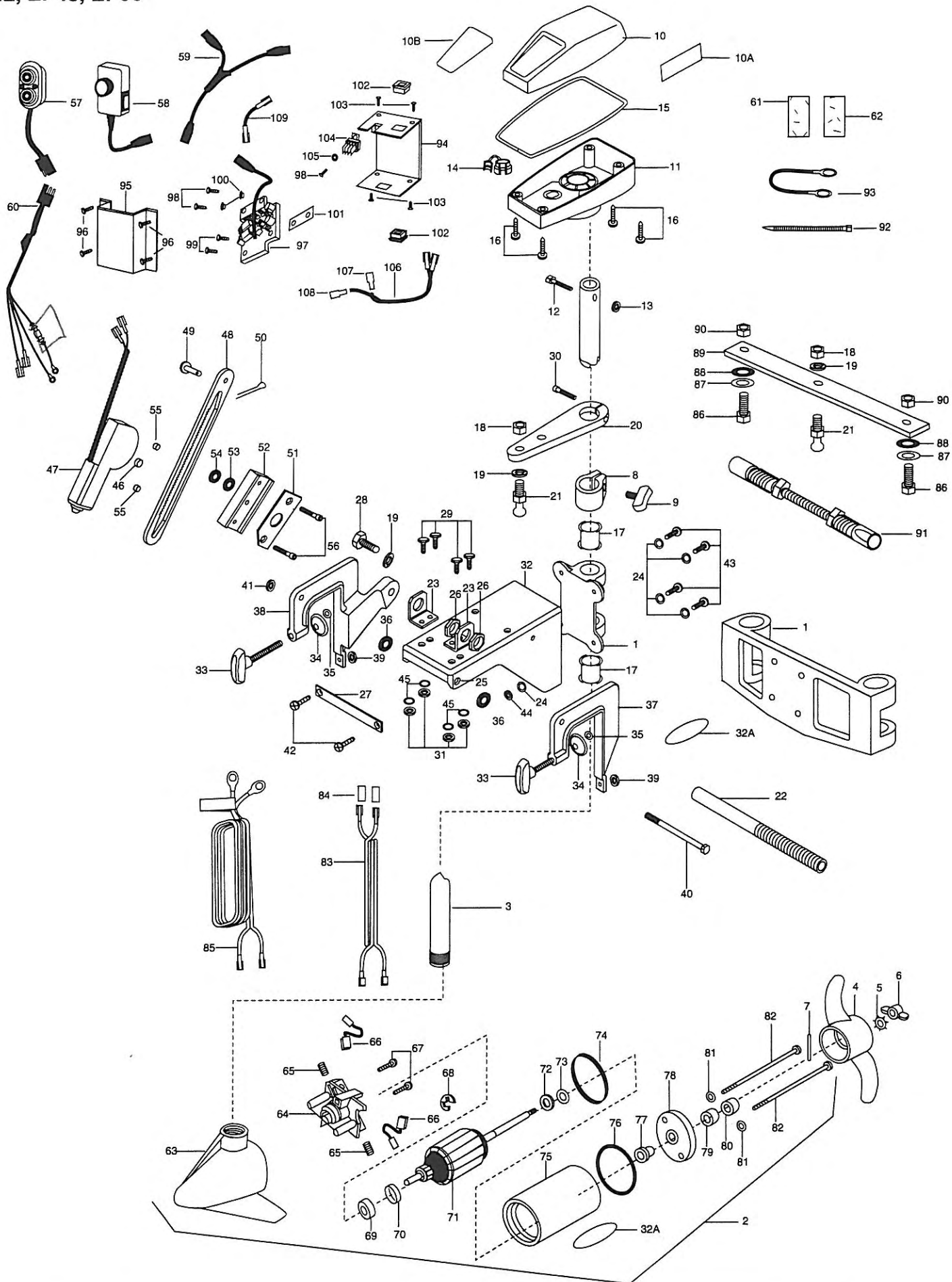


EP42, EP48, EP96



In the U.S.A., replacement parts may be ordered directly from MINN KOTA Parts Dept., JWA North America, 1531 E. Madison Avenue, Mankato, Minnesota 56001. In Canada, parts may be ordered from any of the Canadian Authorized Service Centers shown on the enclosed list. Be sure to provide the MODEL and SERIAL numbers of your motor when ordering parts. Please use the correct part numbers from the parts list. Payment for any parts ordered from the MINN KOTA parts department, may be by cash, personal check, MasterCard, VISA, or UPS C.O.D. To order, call 1-800-227-6433 or FAX 1-800-527-4464.

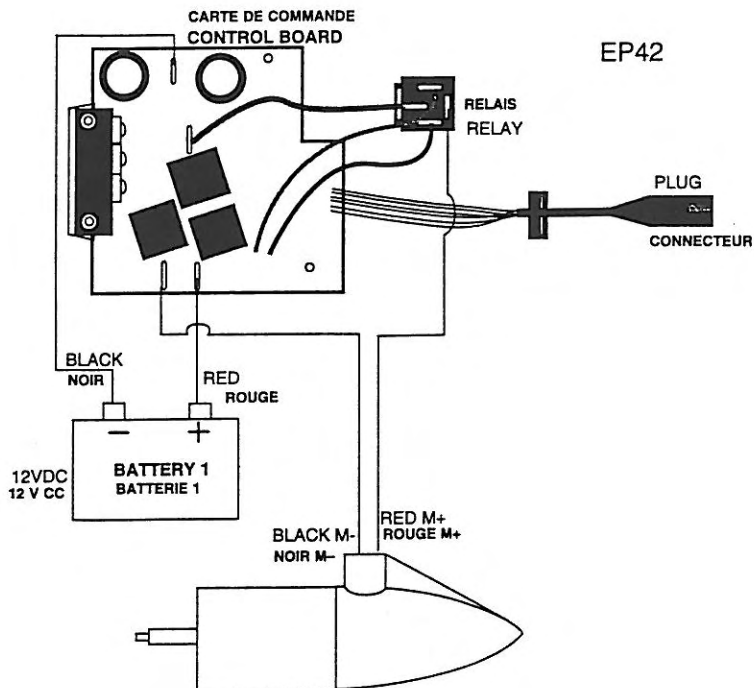
Hors de États-Unis, veuillez vous reporter à la liste ci-jointe pour le Centre de Service Agréé MINN KOTA le plus proche. Ne pas oublier de fournir les numéros de Modèle et de Série de votre Moteur lorsque vous placez une commande. Employez toujours le numéro de pièce exact se trouvant sur la liste des pièces de remplacement.

Fora da América do Norte, queira consultar a lista anexa para identificar o Centro de Serviço Autorizado MINN KOTA. Não deixe de incluir o número do MODELO e o número de SÉRIE do seu motor ao pedir peças. Sempre use os números corretos das peças da lista de peças

Item	Part No.	Description	Item	Part No.	Description	Item	Part No.	Description
1	238-9000	Mount- Single Casting	33	201-1375	Screw- Clamp Knob (2 req'd)	72	406-170	Thrust Washer- Steel (as req'd)
1	238-9005	Mount- Dual Casting	34	201-1710	Washer- Clamp Screw (2 req'd)	73	406-171	Thrust Washer- Nylatron (as req'd)
2	209-9051	Motor Assembly EP42	35	201-3010	Retaining Ring (2 req'd)	74	406-490	Gasket
2	209-9056	Motor Assembly EP48, EP96	36	995-3320	Washer- Black Nylon (2 req'd)	75	406-256	Center Section w/Magnets
3	203-2052	Tube- Composite 36"	37	995-0830	Clamp Bracket- Left	76	406-470	O-Ring
4	209-1150	Propeller- Weedless Wedge	38	995-0833	Clamp Bracket- Right	77	406-600	Flange Bearing
5	205-1700	Lockwasher- Prop	39	990-5212	Nut- Nylock Jam (2 req'd)	78	406-033	Rear Endbell
6	205-3100	Nut- Prop	40	238-3410	Screw- Hex Head	79	406-461	Seal
7	209-2600	Pin- Drive	41	995-3827	Nut- Nylock	80	406-471	Seal- cup
8	203-1520	Collar- Depth	42	238-3406	Screw- Philips (2 req'd)	81	405-462	O-Ring- Thru Bolt (2 req'd)
9	201-1365	Screw-Collar Knob	43	238-3405	Screw- Hex Head (4 req'd)	82	406-010	Thru Bolt (2 req'd)
10	226-0230	Control Box Cover	44	238-3128	Nut- Nylock (4 req'd)	83	238-0615	Brush wire W/Connectors (2 req'd EP96)
10A	238-5630	Decal- Control Box	45	238-1735	Washer- Flat (4 req'd)	84	235-5410	Shrink Wrap (2 req'd)
10B	238-5631	Decal- Cover EP42	46	995-0880	Bushing-Actuator	85	209-0600	Leadwire Assembly-10 ga 6'
10B	238-5632	Decal- Cover EP48	47	238-7800	Actuator Motor W/ Wiring	86	238-2101	Screw (2 req'd) EP96
10B	238-6533	Decal- Cover EP96	48	995-4625	Gear Bar 11"	87	995-0156	Washer- Flat (2 req'd) EP96
11	230-2500	Control Box	49	238-2605	Pin- Clevis	88	238-1734	Washer-Nylon (2 req'd) EP96
12	203-3400	Screw- Control Box	50	238-2603	Pin- Cotter	89	995-0839	Steering Control Bar EP96
13	201-3110	Nut- Hex	51	995-4628	Gear Bar Plate- Bottom	90	990-9042	Nut- Jam (2 req'd) EP96
14	205-2900	Strain Relief	52	995-4643	Gear Bar Plate- Top	91	238-3202	Tie Rod W/Quick Connectors Assembly
15	226-6910	Gasket- Control Box	53	995-3132	Spacer	92	225-6300	Tie Wrap 5.5 Black
16	201-2100	Screw (4 req'd)	54	995-3128	Spacer	93	209-0620	Connector Cable (24 Volt Only EP48, EP96)
17	203-7300	Bushing (2 req'd)	55	995-4646	Bushing- Gear Plate (2 req'd)	94	299-0200	Control Module Ass'y-12v
18	990-9002	Nut- Hex (2 req'd)	56	238-3411	Screw- Socket Head (2 req'd)	95	299-0201	Cntrl Module Ass'y-24V (2 req'd EP96)
19	990-9003	Lockwasher- Split (2 req'd)	57	238-4031	Push Button Switch Assembly 18'	96	238-6592	Control Module- Base
20	995-0836	Steering Arm (EP96 2 req'd)	58	299-0210	Hand Control Assembly 24'	97	238-6590	Control Module- Cover
21	238-3510	Ball Stud (2 req'd) 9709001	59	238-4008	Speed Control Splitter EP 96	98	237-3427	Screw- Boat Mounting (4 req'd)
22	995 0822	Tube- Steering	60	995-4575	Relay/Fuse Wire Lead Assembly	99	238-4015	Control Board 12Volt EP42
23	995-0803	Steering Tube Mount (2 req'd)	61	995-0950	Velcro®- Hook	97	238-4016	Control Board 24Volt EP48, EP96
24	238-1735	Washer- Flat (8 req'd)	62	995-0953	Velcro®- Loop	98	233-2101	PCB Mounting Screw (3 req'd)
*25	995-4352	Bushing (2 req'd)	63	406-023	Front Endbell	99	237-3425	Mounting Screw (2 req'd)
26	995-0825	Nut- Hex (2 req'd)	64	406-403	Brush Plate Assembly	100	230-1710	Insulated Washer (2 req'd)
27	995-0905	Strap- Cross	65	406-082	Brush Spring (2 req'd)	101	236-5105	Insulating Pad
28	238-3500	Bolt- Hex Head	66	406-071	Brush Assembly (2 req'd)	102	230-2920	Grommet (2 req'd)
29	995-0160	Screw- Hex Head (4 req'd)	67	406-342	Brush Plate Screw (2 req'd)	103	237-3426	Screw- Housing (4 req'd)
30	995-4533	Screw- Socket Head	68	405-300	E-Ring	104	238-4007	Relay- Motor Disconnect
31	238-3125	Nut- Nylock (4 req'd)	69	406-010	Ball Bearing	105	237-1716	LockWasher- Relay
*32	995-0827	Tilt Housing	70	406-091	Brush Holder	106	238-0616	Wire Assembly- 18"-10ga.
	238-1906	Tilt Housing/ Bushing Asmby (32+25)	71	406-208	Armature Assembly EP42	107	238-0300	Insulated Connector- Male
32A	200-6608	Decal- Motor (4 req'd)	71	406-207	Armature Assembly EP48, EP96	108	238-0301	Insulated Connector- Female
						109	202-0310	Wire- Jumper 3"

* This item is part of an assembly. This item cannot be sold separately due to machining and /or assembly that is required.

EP42



EP96 EP48

