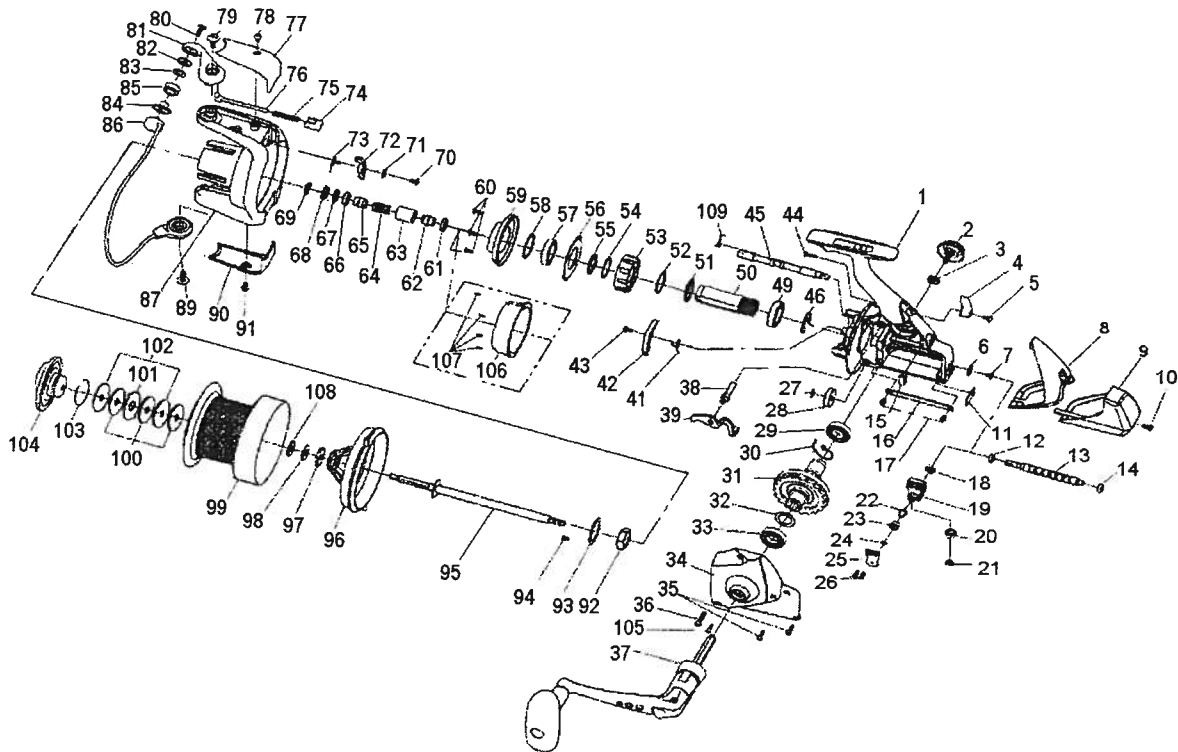


# SPINNING REEL **EMCAST SPORT 4500/5000**



**Key**

No.	Parts No.	Parts Name
1	W52-3103	BODY
2	W36-0202	HANDLE SCREW
3	W36-0101	HANDLE WASHER
4	W52-5601	A/R LEVER
5	W36-0401	A/R LEVER SCREW
6	W36-0502	REAR COVER RET
7	W36-0601	REAR COVER A SCREW
8	W52-5701	REAR COVER A
9	W52-5801	REAR COVER B
10	W36-0901	REAR COVER B SCREW
11	W36-1002	WORM SHAFT RET
12,14	W36-1101	WORM SHAFT BUSH
13	W36-1202	WORM SHAFT
15	W36-1401	A/R CAM SPRING A
16	W36-1502	STABILIZER BAR
17	W36-1601	STABILIZER BAR SCREW
18	W36-1751	OSC SLIDER BUSHING
19	W36-1802	OSC SLIDER
20	W42-9401	BALL BEARING A
21	W36-2001	OSC SLIDER RET
22	W36-2102	OSC PAWL
23	W36-2202	OSC PAWL COLLAR
24	W36-2301	OSC PAWL WASHER
25	W36-2402	OSC SLIDER COVER
26	W36-2501	OSC SLIDER COVER SCREW
27	W36-2601	WORM SHAFT GEAR RET
28	W50-2701	WORM SHAFT GEAR
29	W42-9302	BALL BEARING B
30	W36-2901	A/R PAWL SPRING A
31	W50-2501	DRIVE GEAR
32	W36-3101	DRIVE GEAR WASHER
33	W42-9302	BALL BEARING C
34	W52-3203	SIDE COVER
35	W36-3301	SIDE COVER SCREW A
36	W36-3401	SIDE COVER SCREW B
37	W52-5901	HANDLE

**Key**

No.	Parts No.	Parts Name
38	W36-3602	A/R PAWL A
39	W36-3702	A/R PAWL COLLAR
41	W36-3901	A/R PAWL SPRING B
42	W36-4001	A/R PAWL B
43	W36-4101	A/R PAWL B SCREW
44	W36-4201	REAR COVER SCREW B
45	W36-4302	A/R CAM
46	W36-4401	PINION RET
49	W42-9202	BALL BEARING D
50	W50-2601	PINION GEAR
51	W36-4901	PINION GEAR COLLAR
52	W36-5001	PINION WASHER
53	W36-5101	ROLLER CLUTCH
54	W36-5201	ROLLER CLUTCH WASHER
55	W36-5301	ROLLER CLUTCH COLLAR
56	W36-5401	BEARING RET A
57	W42-9201	BALL BEARING E
58	W36-5501	BALL BEARING RET WASHER
59	W36-5601	BEARING RET B
60	W36-5701	BEARING RET B SCREW
61	W36-5801	BALL BEARING F
62	W36-5902	BALL BEARING COLLAR A
63	W36-6001	SPACING SLEEVE
64	W36-6101	MAIN SHAFT SPRING A
65	W36-6202	MAIN SHAFT COLLAR
66	W36-5801	BALL BEARING G
67	W36-6301	BALL BEARING WASHER A
68	W36-6402	BALL BEARING WASHER B
69	W36-6501	MAIN SHAFT SPRING B
70	W36-6601	BAIL TRIP LEVER SCREW
71	W31-1801	BAIL TRIP LEVER WASHER
72	W36-6802	BAIL TRIP LEVER
73	W36-6901	BAIL TRIP LEVER SPRING
74	W36-7001	BAIL SPRING HOLDER
75	W36-7101	BAIL SPRING
76	W36-7202	BAIL SPRING SHAFT

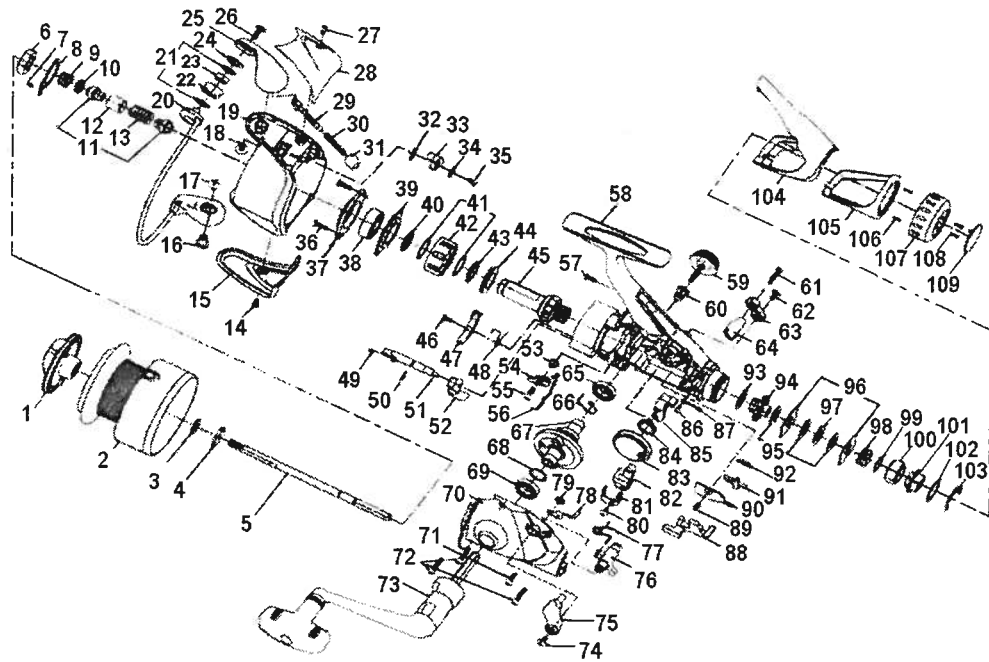
**Key**

No.	Parts No.	Parts Name
77	W52-6001	BAIL SPRING COVER
78	W36-7401	BAIL SPRING COVER SCREW
79	W36-7501	BAIL ARM SCREW
80	W36-7601	LINE ROLLER SCREW
81	W52-3403	BAIL ARM
82	W30-6201	LINE ROLLER WASHER A
83	W30-6101	LINE ROLLER WASHER A
84	W36-8051	LINE ROLLER COLLAR
85	W36-8101	LINE ROLLER
86	W52-3503	BAIL
87	W52-3603	ROTOR
89	W36-8401	BAIL HOLDER SCREW
90	W52-6101	COVER
91	W36-8601	BAIL HOLDER COVER SCREW
92	W36-8702	MAIN SHAFT NUT
93	W36-8801	ROTOR NUT HOLD PLT
94	W36-8901	ROTOR NUT HOLD PLT SCREW
95	W36-9002	MAIN SHAFT
96	W36-9102	LINE GUARD
97	W36-9201	CLICK GEAR
98	W36-9301	CLICK GEAR WASHER
99-103	W52-3703	SPOOL
100	W36-9601	DRAG WASHER
101	W36-9701	KEY WASHER
102	W36-9801	EARED WASHER
103	W36-9901	DRAG WASHER RET
104	W52-6201	DRAG KNOB
105	W34-3101	SIDE COVER SCREW C
106	W50-2901	ROLLER CLUTCH COVER
107	W50-3001	CLUTCH COVER SCREW
108	W50-3101	SPOOL WASHER
109	W50-3201	A/R CAM SPRING B

**ECS5000 Special Parts**

99-103	W52-3903	SPOOL
--------	----------	-------

# SPINNING REEL **REGAL PLUS 3500/4000BRi**



**Key**

No.	Parts No.	Parts Name
1	W33-5802	FRONT DRAG KNOB
2	W48-9501	SPOOL
2	W49-6001	SPOOL (EXTRA)
3	W33-9302	SPOOL WASHER
4	W33-9402	CLICK GEAR
5	W48-9601	MAIN SHAFT
6	W33-9601	ROTOR NUT
7	W33-9102	ROTOR NUT HOLD PLT SCREW
8	W33-9501	ROTOR NUT HOLD PLT
9	W33-9701	MAIN SHAFT SPRING A
10	W33-9801	MAIN SHAFT COLLAR
11	W33-9902	BALL BEARING A
12	W34-0001	SPACING SLEEVE
13	W38-1401	MAIN SHAFT SPRING B
14	W34-0401	MAIN SHAFT COVER SCREW
15	W48-9701	BAIL HOLDER COVER
16	W48-9801	BAIL HOLDER NUT
17	W33-9001	BAIL HOLDER SCREW
18	W33-9001	BAIL ARM SCREW
19	W48-9901	ROTOR
20	W49-0001	BAIL
21	W45-6601	LINE ROLLER WASHER
22	W33-8102	LINE ROLLER
23	W49-0101	BALL BEARING B
24	W33-8202	LINE ROLLER COLLAR
25	W49-0201	BAIL ARM
26	W33-8301	LINE ROLLER SCREW
27	W34-0401	BAIL SPRING COVER SCREW
28	W49-0301	BAIL SPRING COVER
29	W33-8702	BAIL SPRING SHAFT
30	W33-8802	BAIL SPRING
31	W33-8901	BAIL SPRING HOLDER
32	W34-0501	BAIL TRIP LEVER SPRING
33	W34-0602	BAIL TRIP LEVER
34	W46-4501	BAIL TRIP LEVER WASHER
35	W34-0703	BAIL TRIP LEVER SCREW
36	W34-0801	BEARING RET A SCREW
37	W34-0901	BEARING RET A

**Key**

No.	Parts No.	Parts Name
38	W49-0401	BALL BEARING D
39	W49-0501	BEARING RET B
40	W34-1201	BEARING RET COLLAR
41	W34-1501	ROLLER CLUTCH WASHER
42	W34-1401	ROLLER CLUTCH
43	W34-1601	ROLLER CLUTCH COLLAR
44	W49-0601	PINION COLLAR
45	W34-1802	PINION GEAR
46	W30-2301	A/R PAWL A SCREW
47	W49-0701	A/R PAWL A
48	W34-4401	A/R PAWL A SPRING
49	W34-1901	A/R CAM SPRING
50	W49-0801	A/R CAM RET
51	W49-0901	A/R CAM
52	W49-1001	A/R LEVER
53	W34-4101	A/R PAWL B COLLAR
54	W49-1101	A/R PAWL B
55	W34-4302	A/R PAWL B SCREW
56	W49-1201	A/R PAWL SPRING A
57	W34-2102	REAR COVER A SCREW
58	W49-1301	BODY
59	W49-1401	HANDLE SCREW
60	W34-4701	HANDLE COLLAR
61	W44-9001	CLUTCH LEVER SCREW A
62	W34-2501	CLUTCH LEVER SCREW B
63	W49-1601	CLUTCH LEVER A
64	W49-1701	CLUTCH LEVER BRIDGE
65	W49-1801	BALL BEARING C
66	W34-3902	A/R PAWL SPRING B
67	W49-1901	DRIVE GEAR
68	W34-3701	DRIVE GEAR WASHER
69	W49-1801	BALL BEARING E
70	W49-2101	SIDE COVER
71	W34-3201	SIDE COVER SCREW A
72	W34-3101	SIDE COVER SCREW B
73	W49-2201	HANDLE
74	W34-2501	CLUTCH LEVER SCREW C
75	W49-2301	CLUTCH LEVER B

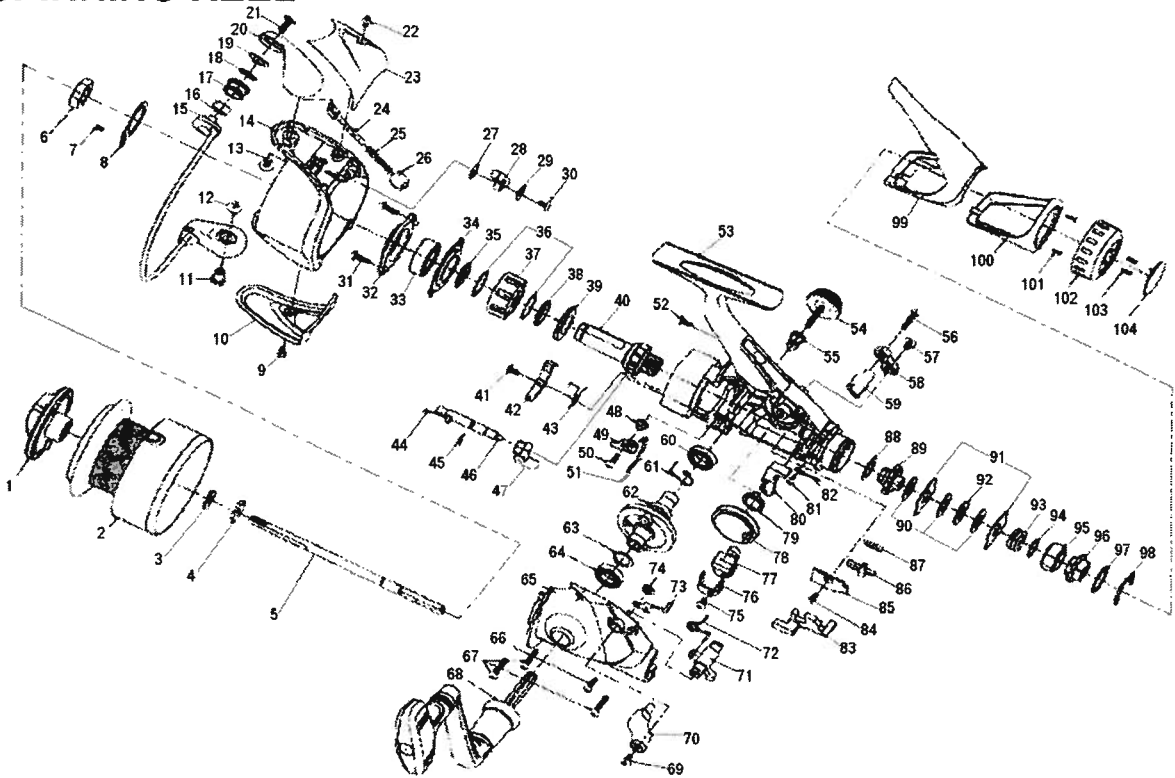
**Key**

No.	Parts No.	Parts Name
76	W49-2401	CLUTCH CAM
77	W49-2501	CLUTCH CAM SPRING
78	W49-2601	CLICK LEAF SPRING A
79	W38-5001	CLICK LEAF SPRING RET
80	W38-5501	OSC SLIDER RET SCREW
81	W49-2701	OSC SLIDER RET
82	W49-2801	OSC SLIDER
83	W49-2901	OSC GEAR
84	W45-8701	OSC GEAR COLLAR
85	W49-3001	OSC PLT
86	W49-3101	OSC SLIDER SCREW
87	W49-3201	CLICK LEAF SPRING B
88	W49-3301	CLUTCH PLT A
89	W49-3401	CLUTCH PLT SCREW
90	W49-3501	CLUTCH PLT B
91	W49-3601	CLUTCH TRIP LEVER
92	W49-3701	CLUTCH TRIP LEVER SPRING
93	W38-6201	DRAG METAL A WASHER
94	W49-3801	DRAG METAL A
95	W49-3901	DRAG WASHER A
96	W49-4001	EARED WASHER
97	W49-4101	KEY WASHER
98	W49-4201	DRAG COIL SPRING
99	W49-4301	DRAG WASHER B
100	W49-4401	DRAG SCREW
101	W49-4501	DRAG METAL B
102	W49-4601	DRAG METAL B WASHER
103	W49-4701	DRAG SCREW RET
104	W49-4801	REAR COVER A
105	W49-4901	REAR COVER B
106	W49-5001	REAR COVER B SCREW
107	W49-5101	DRAG KNOB
108	W49-5201	DRAG KNOB SCREW
109	W49-5301	DRAG KNOB SCREW CAP

**4000BRi Special Parts**

2	W49-5501	SPOOL
2	W49-6201	SPOOL (EXTRA)

# REGAL 3500/4000BRI



Key No.	Parts No.	Parts Name
1	W33-5802	FRONT DRAG KNOB
2	W49-5601	SPOOL
3	W33-9302	SPOOL WASHER
4	W33-9402	CLICK GEAR
5	W48-9601	MAIN SHAFT
6	W33-9601	ROTOR NUT
7	W33-9102	ROTOR NUT HOLD PLT SCREW
8	W33-9501	ROTOR NUT HOLD PLT
9	W34-0401	BAIL HOLDER COVER SCREW
10	W48-9701	BAIL HOLDER COVER
11	W48-9801	BAIL HOLDER NUT
12	W33-9001	BAIL HOLDER SCREW
13	W33-9001	BAIL ARM SCREW
14	W48-9902	ROTOR
15	W49-0002	BAIL
16	W34-5202	LINE ROLLER BUSHING
17	W33-8102	LINE ROLLER
18	W45-6601	LINE ROLLER WASHER
19	W33-8201	LINE ROLLER COLLAR
20	W49-0202	BAIL ARM
21	W33-8301	LINE ROLLER SCREW
22	W34-0401	BAIL SPRING COVER SCREW
23	W49-0301	BAIL SPRING COVER
24	W33-8702	BAIL SPRING SHAFT
25	W33-8802	BAIL SPRING
26	W33-8901	BAIL SPRING HOLDER
27	W34-0501	BAIL TRIP LEVER SPRING
28	W34-0602	BAIL TRIP LEVER
29	W46-4501	BAIL TRIP LEVER WASHER
30	W34-0703	BAIL TRIP LEVER SCREW
31	W34-0801	BEARING RET A SCREW
32	W34-0901	BEARING RET A
33	W49-0402	BALL BEARING A
34	W49-0501	BEARING RET B
35	W34-1201	BEARING RET COLLAR
36	W34-1501	ROLLER CLUTCH WASHER

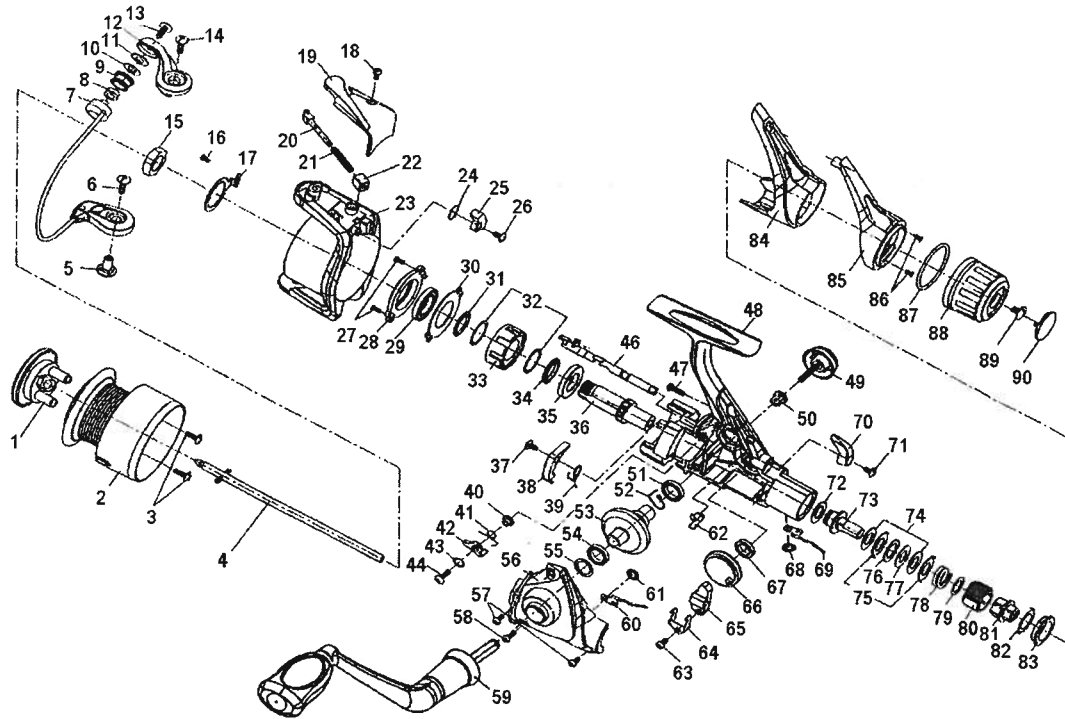
Key No.	Parts No.	Parts Name
37	W34-1401	ROLLER CLUTCH
38	W34-1601	ROLLER CLUTCH COLLAR
39	W49-0601	PINION COLLAR
40	W34-1804	PINION GEAR
41	W30-2301	A/R PAWL A SCREW
42	W49-0701	A/R PAWL A
43	W34-4401	A/R PAWL SPRING A
44	W34-1901	A/R CAM SPRING
45	W49-0801	A/R CAM RET
46	W49-0901	A/R CAM
47	W49-1001	A/R LEVER
48	W34-4101	A/R PAWL COLLAR B
49	W49-1101	A/R PAWL B
50	W34-4302	A/R PAWL B SCREW
51	W49-1201	A/R PAWL SPRING B
52	W34-2102	REAR COVER A SCREW
53	W49-1302	BODY
54	W49-1401	HANDLE SCREW
55	W34-4701	HANDLE COLLAR
56	W49-1501	CLUTCH LEVER SCREW A
57	W34-2501	CLUTCH LEVER SCREW B
58	W49-1602	CLUTCH LEVER A
59	W49-1701	CLUTCH LEVER BRIDGE
60	W49-1801	BALL BEARING B
61	W34-3902	A/R PAWL SPRING C
62	W49-1901	DRIVE GEAR
63	W34-3701	DRIVE GEAR WASHER
64	W49-1801	BALL BEARING C
65	W49-2102	SIDE COVER
66	W34-3201	SIDE COVER SCREW A
67	W34-3101	SIDE COVER SCREW B
68	W49-5701	HANDLE
69	W34-2501	CLUTCH LEVER SCREW C
70	W49-2302	CLUTCH LEVER B
71	W49-2401	CLUTCH CAM
72	W49-2501	CLUTCH CAM SPRING

Key No.	Parts No.	Parts Name
73	W49-2601	CLICK LEAF SPRING A
74	W38-5001	CLICK LEAF SPRING RET
75	W38-5501	OSC SLIDER RET SCREW
76	W49-2701	OSC SLIDER RET
77	W49-2801	OSC SLIDER
78	W49-2901	OSC GEAR
79	W45-8701	OSC GEAR COLLAR
80	W49-3001	OSC PLT
81	W49-3101	CLICK LEAF SPRING B SCREW
82	W49-3201	CLICK LEAF SPRING B
83	W49-3301	CLUTCH PLT A
84	W49-3401	CLUTCH PLT SCREW
85	W49-3501	CLUTCH PLT B
86	W49-3601	CLUTCH TRIP LEVER
87	W49-3701	CLUTCH TRIP LEVER SPRING
88	W38-6201	DRAG METAL A WASHER
89	W49-3801	DRAG METAL A
90	W49-3901	DRAG WASHER A
91	W49-4001	EARED WASHER
92	W49-4101	KEY WASHER
93	W49-4201	DRAG COIL SPRING
94	W49-4301	DRAG SCREW WASHER
95	W49-4401	DRAG SCREW
96	W49-4501	DRAG METAL B
97	W49-4601	DRAG COLLAR
98	W49-4701	DRAG SCREW RET
99	W49-4802	REAR COVER A
100	W49-4902	REAR COVER B
101	W49-5001	REAR COVER B SCREW
102	W49-5102	DRAG KNOB
103	W49-5201	DRAG KNOB SCREW
104	W49-5302	DRAG KNOB SCREW CAP

**4000BRI Special Parts**

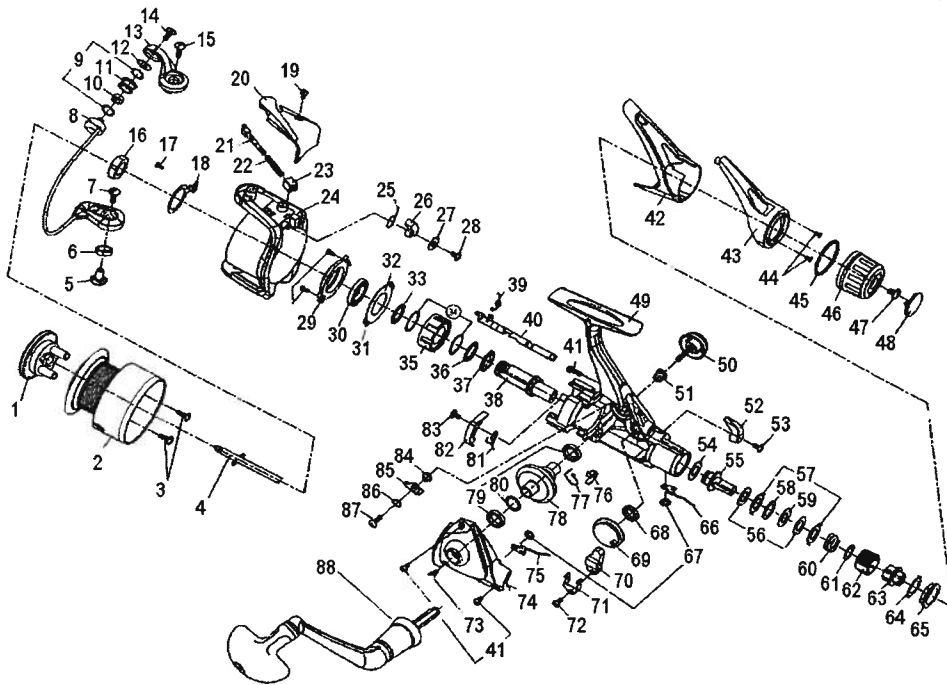
2	W49-5901	SPOOL
---	----------	-------

# CROSSFIRE 1550-3iR



Key No.	Parts No.	Parts Name	Key No.	Parts No.	Parts Name
1	W45-9701	FRONT DRAG KNOB	47	W38-4201	REAR COVER A SCREW
1-3	W55-7801	SPOOL	48	W55-8101	BODY
1-3	W55-7901	SPOOL (EXTRA)	49	W44-0701	HANDLE SCREW
4	W45-6301	MAIN SHAFT	50	W34-4701	HANDLE COLLAR
5	W34-0201	BAIL HOLDER NUT	51	W34-3601	BALL BEARING B
6	W45-6401	BAIL HOLDER SCREW	52	W34-3901	A/R PAWL SPRING C
7	W43-9501	BAIL	53	W34-3801	DRIVE GEAR
8	W38-0551	LINE ROLLER BUSHING	54	W34-3601	BALL BEARING C
9	W33-8101	LINE ROLLER	55	W36-3701	DRIVE GEAR COLLAR
10	W45-6601	LINE ROLLER WASHER	56	W55-8201	SIDE COVER
11	W33-8201	LINE ROLLER COLLAR	57	W38-5301	SIDE COVER SCREW A
12	W51-3701	BAIL ARM	58	W45-8301	SIDE COVER SCREW B
13	W38-0901	LINE ROLLER SCREW	59	W51-4401	HANDLE
14	W33-8401	BAIL ARM SCREW	60	W38-5101	CLICK LEAF SPRING A
15	W38-1101	ROTOR NUT	61, 68	W38-5001	CLICK LEAF SPRING RET
16	W33-9101	ROTOR NUT HOLD PLT SCREW	62	W44-1101	A/R CAM SPRING
17	W33-9501	ROTOR NUT HOLD PLT	63	W38-5501	OSC SLIDER SCREW
18	W45-7001	BAIL SPRING COVER SCREW	64	W38-5601	OSC SLIDER RET
19	W34-0301	BAIL SPRING COVER	65	W45-8501	OSC SLIDER
20	W45-7101	BAIL SPRING SHAFT	66	W45-8601	OSC GEAR
21	W45-7201	BAIL SPRING	67	W45-8701	OSC GEAR COLLAR
22	W33-8901	BAIL SPRING HOLDER	69	W38-5901	CLICK LEAF SPRING B
23	W55-8001	ROTOR	70	W34-2401	A/R LEVER
24	W34-0501	BAIL TRIP LEVER SPRING	71	W38-6101	A/R LEVER SCREW
25	W34-0601	BAIL TRIP LEVER	72	W45-8801	DRAG METAL WASHER
26	W38-2801	BAIL TRIP LEVER SCREW	73	W45-8901	DRAG METAL A
27	W45-7401	BEARING RET A SCREW	74	W45-9001	DRAG WASHER A
28	W34-0901	BEARING RET A	75	W38-6501	EARED WASHER
29	W34-1701	BALL BEARING A	76	W38-6601	DRAG WASHER B
30	W34-1101	BEARING RET B	77	W38-6701	KEY WASHER
31	W34-1201	BEARING RET WASHER	78	W38-6801	DRAG COIL SPRING
33	W34-1401	ROLLER CLUTCH	79	W45-9101	DRAG COIL SPRING WASHER
34	W45-7501	ROLLER CLUTCH COLLAR	80	W38-7001	DRAG SCREW
35	W46-1401	PINION GEAR COLLAR	81	W38-7101	DRAG METAL B
36	W46-8901	PINION GEAR	82	W38-7201	DRAG COLLAR
37	W38-3801	A/R PAWL SCREW	83	W45-9201	DRAG COVER
38	W34-4501	A/R PAWL A	84	W46-2001	REAR COVER A
39	W34-4401	A/R PAWL SPRING A	85	W47-3101	REAR COVER B
40	W45-7601	A/R PAWL COLLAR	86	W59-5010	REAR COVER B SCREW
41	W45-7701	A/R PAWL SPRING B	87	W38-7701	O RING
42	W45-7801	A/R PAWL B	88	W45-9601	DRAG KNOB
43	W34-4101	A/R PAWL COLLAR	89	W38-7901	DRAG KNOB SCREW
44	W34-4301	A/R PAWL SCREW	90	W38-8001	DRAG KNOB SCREW CAP
46	W45-7901	A/R CAM			

# CROSSFIRE 3550-3iR/4050-3iR

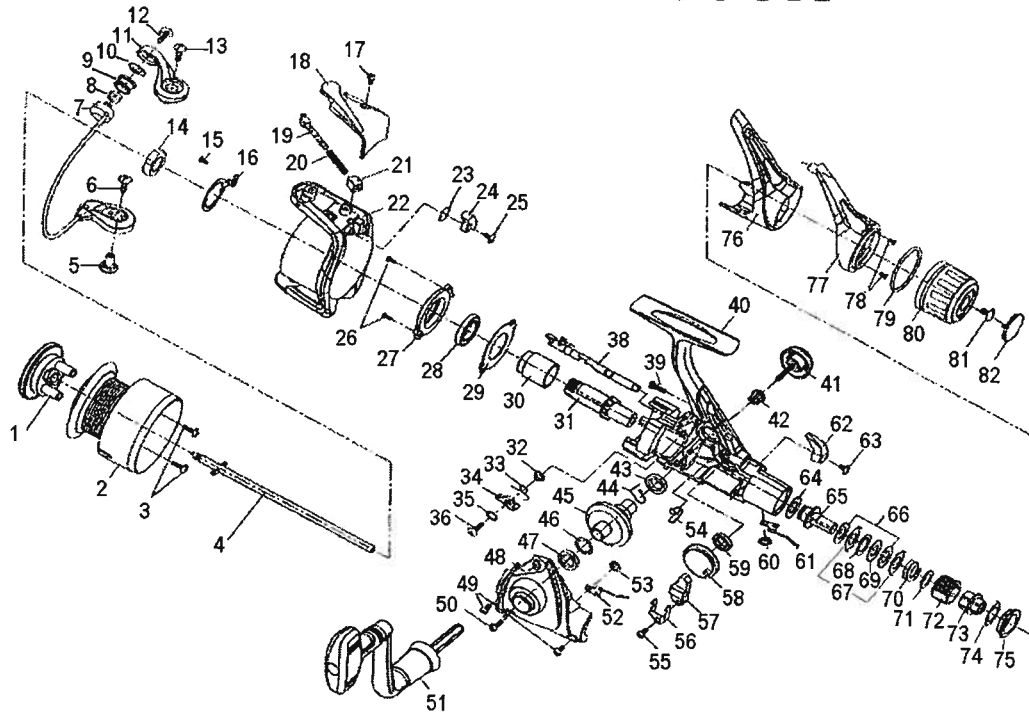


Key No.	Parts No.	Parts Name	Key No.	Parts No.	Parts Name
1	W45-9701	FRONT DRAG KNOB	47	W38-7901	DRAG KNOB SCREW
1-3	W55-8801	SPOOL	48	W38-8001	DRAG KNOB SCREW CAP
1-3	W55-8901	SPOOL (EXTRA)	49	W55-9101	BODY
4	W38-0302	MAIN SHAFT	50	W45-4501	HANDLE SCREW
5	W34-0201	BAIL HOLDER NUT	51	W34-4702	HANDLE COLLAR
6	W38-8101	BAIL ARM COLLAR	52	W34-2401	A/R LEVER
7	W38-0201	BAIL HOLDER SCREW	53	W38-6101	A/R LEVER SCREW
8	W45-3301	BAIL	54	W38-6201	DRAG METAL WASHER
9	W45-6601	LINE ROLLER WASHER	55	W38-6302	DRAG METAL A
10	W33-8202	LINE ROLLER BUSHING	56	W45-9001	DRAG WASHER A
11	W38-0602	LINE ROLLER	57	W38-6501	EARED WASHER
12	W33-8201	LINE ROLLER COLLAR	58	W38-6601	DRAG WASHER B
13	W51-5701	BAIL ARM	59	W38-6701	KEY WASHER
14	W46-4101	LINE ROLLER SCREW	60	W38-6801	DRAG COIL SPRING
15	W46-6201	BAIL ARM SCREW	61	W38-6901	DRAG SCREW WASHER
16	W38-1102	ROTOR NUT	62	W38-7001	DRAG SCREW
17	W46-7001	ROTOR NUT HOLD PLT SCREW	63	W38-7101	DRAG METAL B
18	W46-7101	ROTOR NUT HOLD PLT	64	W38-7201	DRAG COLLAR
19	W38-1901	BAIL SPRING COVER SCREW	65	W46-5401	DRAG COVER
20	W34-0330	BAIL SPRING COVER	66	W38-5901	CLICK LEAF SPRING B
21	W33-8702	BAIL SPRING SHAFT	67	W38-5001	CLICK LEAF SPRING RET
22	W38-2202	BAIL SPRING	68	W45-8701	OSC GEAR COLLAR
23	W33-8901	BAIL SPRING HOLDER	69	W34-2703	OSC GEAR
24	W55-9001	ROTOR	70	W38-5702	OSC SLIDER
25	W34-0501	BAIL TRIP LEVER SPRING	71	W46-5501	OSC SLIDER RET
26	W34-0602	BAIL TRIP LEVER	72	W38-5501	OSC SLIDER SCREW
27	W46-4501	BAIL TRIP LEVER WASHER	73	W46-5601	SIDE COVER SCREW A
28	W34-0703	A/R LEVER SCREW	74	W55-9201	SIDE COVER
29	W46-4601	BEARING RET SCREW	75	W38-5101	CLICK LEAF SPRING A
30	W34-0901	BEARING RET A	76	W34-3802	DRIVE GEAR
31	W34-1701	BALL BEARING A	77	W46-5801	A/R PAWL SPRING A
32	W34-1101	BEARING RET B	78	W44-1101	A/R CAM SPRING B
33	W34-1201	BEARING RET COLLAR	79	W34-3602	BALL BEARING B
34	W34-1501	ROLLER CLUTCH WASHER	80	W34-3701	DRIVE GEAR WASHER
35	W34-1401	ROLLER CLUTCH	81	W34-4401	A/R PAWL SPRING B
36	W34-1601	BALL BEARING COLLAR	82	W34-4501	A/R PAWL A
37	W46-4701	PINION GEAR COLLAR	83	W38-3801	A/R PAWL SCREW
38	W47-0601	PINION GEAR	84	W46-5901	A/R PAWL COLLAR
39	W46-4901	A/R CAM SPRING A	85	W46-6001	A/R PAWL B
40	W34-2003	A/R CAM	86	W34-4101	A/R PAWL COLLAR
41	W38-4201	SIDE COVER SCREW B	87	W34-4301	A/R PAWL SCREW
42	W46-7301	REAR COVER A	88	W51-6301	HANDLE
43	W47-3701	REAR COVER B			
44	W45-9501	REAR COVER B SCREW			
45	W38-7701	O RING			
46	W45-9601	DRAG KNOB			

**4050 Special Parts**

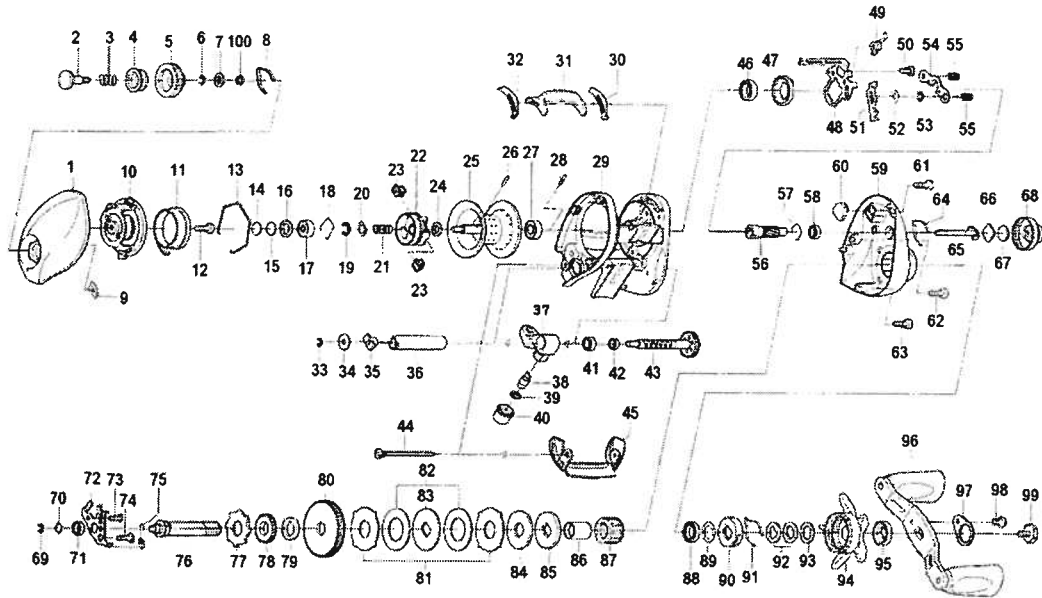
1-3	W55-9301	SPOOL
1-3	W55-9401	SPOOL (EXTRA)

# SWEEPFIRE 2550R



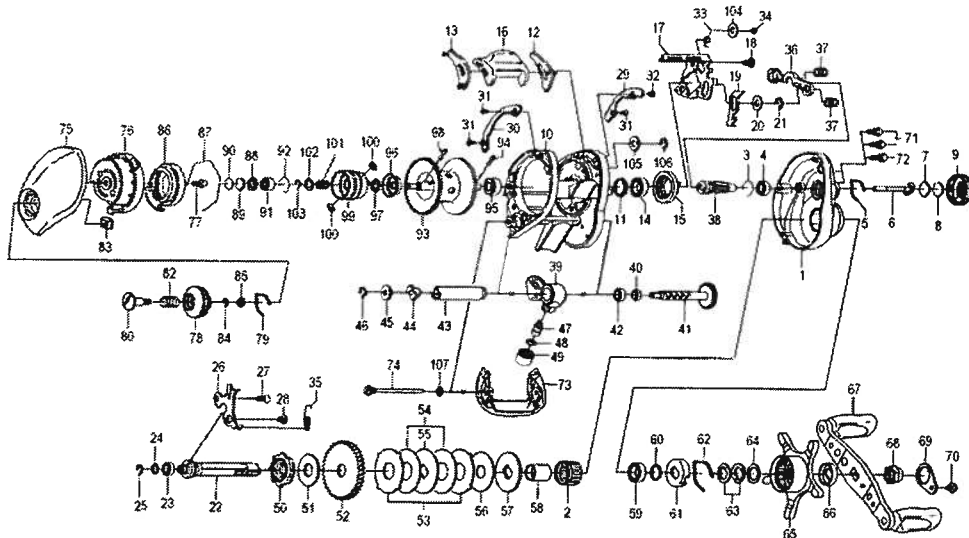
Key No.	Parts No.	Parts Name	Key No.	Parts No.	Parts Name
1	W56-0001	FRONT DRAG KNOB	42	W34-4701	HANDLE COLLAR
1-3	W56-0101	SPOOL	43, 47	W34-5301	DRIVE GEAR BUSHING
4	W38-0301	MAIN SHAFT	44	W34-3901	A/R PAWL SPRING B
5	W34-0201	BAIL HOLDER NUT	45	W46-0401	DRIVE GEAR
6	W38-0201	BAIL HOLDER SCREW	46	W34-3701	DRIVE GEAR WASHER
7	W33-7901	BAIL	48	W56-0401	SIDE COVER
8	W38-0551	LINE ROLLER BUSHING	49	W38-5301	SIDE COVER SCREW A
9	W33-8101	LINE ROLLER	50	W45-8301	SIDE COVER SCREW B
10	W33-8201	LINE ROLLER COLLAR	51	W51-7501	HANDLE
11	W51-3702	BAIL ARM	52	W38-5101	CLICK LEAF SPRING A
12	W38-0901	LINE ROLLER SCREW	53, 60	W38-5001	CLICK LEAF SPRING RET
13	W33-8401	BAIL ARM SCREW	54	W44-1101	A/R CAM SPRING
14	W38-1101	ROTOR NUT	55	W38-5501	OSC SLIDER SCREW
15	W33-9101	ROTOR NUT HOLD PLT SCREW	56	W38-5601	OSC SLIDER RET
16	W33-9501	ROTOR NUT HOLD PLT	57	W38-5701	OSC SLIDER
17	W38-1901	BAIL SPRING COVER SCREW	58	W34-2701	OSC GEAR
18	W51-7301	BAIL SPRING COVER	59	W45-8701	OSC GEAR COLLAR
19	W33-8701	BAIL SPRING SHAFT	61	W38-5901	CLICK LEAF SPRING B
20	W33-8801	BAIL SPRING	62	W46-1901	A/R LEVER
21	W33-8901	BAIL SPRING HOLDER	63	W38-6101	A/R LEVER SCREW
22	W56-0201	ROTOR	64	W45-8801	DRAG METAL WASHER
23	W34-0501	BAIL TRIP LEVER SPRING	65	W45-8901	DRAG METAL A
24	W34-0601	BAIL TRIP LEVER	66	W45-9001	DRAG WASHER B
25	W38-2801	BAIL TRIP LEVER SCREW	67	W38-6501	EARED WASHER
26	W45-7401	BEARING RET SCREW	68	W38-6601	DRAG WASHER A
27	W34-0901	BEARING RET A	69	W38-6701	KEY WASHER
28	W34-1701	BALL BEARING	70	W38-6801	DRAG COIL SPRING
29	W34-1101	BEARING RET B	71	W45-9101	DRAG COIL SPRING WASHER
30	W34-1201	COLLAR	72	W38-7001	DRAG SCREW
31	W46-8901	PINION GEAR	73	W38-7101	DRAG METAL B
32	W45-7601	A/R PAWL COLLAR A	74	W38-7201	DRAG COLLAR
33	W45-7701	A/R PAWL SPRING A	75	W45-9201	DRAG COVER
34	W45-7801	A/R PAWL	76	W47-2201	REAR COVER A
35	W34-4101	A/R PAWL COLLAR B	77	W46-0801	REAR COVER B
36	W34-4301	A/R PAWL SCREW	78	W45-9501	REAR COVER B SCREW
38	W34-2001	A/R CAM	79	W38-7701	O RING
39	W38-4201	REAR COVER A SCREW	80	W46-2201	DRAG KNOB
40	W56-0301	BODY	81	W38-7901	DRAG KNOB SCREW
41	W48-4501	HANDLE LOCK SCREW	82	W46-2301	DRAG KNOB SCREW CAP

# STEEZ 103HA



Key No.	Parts No.	Parts Name	Key No.	Parts No.	Parts Name
1	G75-7301	L/S PLT	56	G89-7101	PINION GEAR
2	F57-7901	SET PLT SCREW	57	E21-9701	BEARING RET B
3	E16-7101	SET PLT SPRING	58	G46-6202	BALL BEARING D
4	F77-0704	BRAKE DIAL WASHER A	59	G89-7001	R/S PLT
5	G75-7401	BRAKE ADJ KNOB	60	G26-2301	CLUTCH CAM PLT B
6	B33-9801	BRAKE DIAL RET A	61	G04-0814	R/S PLT SCREW A
7	F63-7701	BRAKE DIAL WASHER B	62	G04-0815	R/S PLT SCREW B
8	F05-1701	BRAKE CLICK SPRING	63	G04-0801	R/S PLT SCREW C
9	F61-3401	BRAKE DIAL RET B	64	F26-2701	CLICK LEAF SPRING A
10	G75-7001	LEFT SET PLT	65	G01-5501	PINION SHAFT
11	G75-7701	MAGNET HOLDER	66	B17-5401	SPOOL ADJ CAP METAL
12	351-0906	LEFT SET PLT SCREW	67	B17-5503	RUBBER WASHER
13	G75-7801	MAGNET HOLDER RET	68	G77-4701	CAST CONTROL CAP
14	375-7404	SPACER A	69	320-5901	DRIVE SHAFT RET A
15	375-7411	SPACER B	70	G35-5203	DRIVE SHAFT WASHER
16	G18-5101	SPACER C	71	G46-6202	BALL BEARING E
17	G51-1503	BALL BEARING A	72	G75-5101	DRIVE SHAFT RET B
18	F03-2201	BEARING RET A	73	E13-4503	CLUTCH LEVER SCREW
19-28	Z01-7768	SPOOL	74	G87-5801	DRIVE SHAFT RET B SCREW
29	G75-4102	FRAME	75	G75-5401	CLUTCH TRIP PLT SPRING
30	G75-4301	CLUTCH LEVER PLT A	76	G75-5001	DRIVE SHAFT
31	G75-4501	CLUTCH LEVER	77	G75-6001	A/R RATCHET
32	G75-4401	CLUTCH LEVER PLT B	78	G75-6101	DRIVE GEAR A
33	320-5901	WORM SHAFT RET	79	G87-8301	DRIVE GEAR WASHER
34	F65-5501	WORM SHAFT WASHER	80	G75-6201	DRIVE GEAR B
35	B71-5601	WORM SHAFT HOLDER	81	F79-6102	EARED WASHER
36	F83-6502	LEVEL WIND GUARD	82	G42-8501	DRAG WASHER A
37	G75-5701	LINE GUIDE	83	F79-6303	KEY WASHER A
38	121-4212	LINE GUIDE PAWL	84	G45-5801	DRAG WASHER B
39	373-1303	LINE GUIDE WASHER	85	B36-0306	KEY WASHER B
40	F40-2801	PAWL CAP	86	G01-1401	GEAR SHAFT COLLAR
41	G46-6202	BALL BEARING B	87	G81-9801	ROLLER CLUTCH
42	G01-0701	WORM SHAFT COLLAR	88	G75-6301	BALL BEARING F
43	G85-0901	WORM SHAFT	89	B55-3801	BEARING WASHER
44	G35-8702	STABILIZER BAR	90	F02-8201	CLICK LEAF SPRING HOLDER
45	G75-6802	FRONT PLT	91	F03-2401	CLICK LEAF SPRING B
46	G52-0503	BALL BEARING C	92	150-8901	SPRING WASHER
47	G35-7101	CLUTCH CAM	93	373-7810	SPACING SLEEVE
48	G75-4801	CLUTCH CAM PLT A	94	G77-5101	STAR DRAG
49	G75-5301	CLUTCH CAM SPRING	95	F85-0401	HANDLE COLLAR
50	G00-9701	CLUTCH CAM SCREW	96	G89-7201	HANDLE
51	G75-4901	CLUTCH TRIP PLT	97	G77-9201	HANDLE NUT PLT
52	G53-9401	CLUTCH TRIP PLT WASHER	98	G83-5501	HANDLE NUT PLT SCREW
53	320-5901	CLUTCH TRIP PLT RET	99	G77-9101	HANDLE SCREW
54	G35-7901	YOKE	100	375-4104	BRAKE DIAL WASHER C
55	G35-8001	YOKE SPRING			

# BAITCASTING REEL TEAM DAIWA ZILLION 100HA / 100SHA



Key No.	Parts No.	Parts Name	Key No.	Parts No.	Parts Name
1	G88-4301	R/S PLT	54	G79-1401	DRAG WASHER A
2	G81-9801	ROLLER CLUTCH	55	F90-4902	KEY WASHER A
3	B42-1601	BEARING RET A	56	G71-1101	DRAG WASHER B
4	G53-8001	BALL BEARING A	57	G35-8501	KEY WASHER B
5	G89-4401	CLICK LEAF SPRING A	58	G01-1401	GEAR SHAFT COLLAR
6	F74-4101	PINION SHAFT	59	B86-1703	BALL BEARING D
7	B17-5401	SPOOL ADJ CAP METAL	60	B55-3801	BEARING WASHER
8	B17-5503	RUBBER WASHER	61	F02-8201	CLICK LEAF SPRING HOLDER
9	F83-3907	CAST CONTROL CAP	62	F03-2401	CLICK LEAF SPRING B
10	G78-9003	FRAME	63	150-8901	SPRING WASHER
11	F83-4701	BALL BEARING COLLAR	64	373-7810	SPACING SLEEVE
12	G00-9302	CLUTCH LEVER PLT A	65	G79-2503	STAR DRAG
13	G00-9402	CLUTCH LEVER PLT B	66	F85-0402	HANDLE COLLAR
14	G43-1002	BALL BEARING B	67	G88-4501	HANDLE
15	F79-3501	CLUTCH CAM	68	G79-3301	HANDLE NUT
16	G00-9501	CLUTCH LEVER	69	040-3209	HANDLE NUT PLT
17	G79-0001	CLUTCH CAM PLT	70	353-8301	HANDLE NUT PLT SCREW
18	G00-9701	CLUTCH CAM SCREW	71	G04-0805	R/S PLT SCREW A
19	G79-0101	CLUTCH TRIP PLT	72	G04-0801	R/S PLT SCREW B
20	371-6906	CLUTCH TRIP PLT WASHER	73	G01-1601	FRONT PLT
21	320-1402	CLUTCH TRIP PLT RET	74	G01-1702	STABILIZER BAR
22	G79-0201	DRIVE SHAFT	75	G03-6814	L/S PLT
23	F05-5601	BALL BEARING C	76	G01-1902	LEFT SET PLT
24	G75-5201	DRIVE SHAFT WASHER A	77	351-0906	LEFT SET PLT SCREW
25	320-5901	DRIVE SHAFT RET A	78	F57-7802	BRAKE ADJ KNOB
26	G79-0301	DRIVE SHAFT RET B	79	F05-1701	BRAKE CLICK SPRING
27	E13-4503	CLUTCH LEVER SCREW	80	F57-7901	SET PLT SCREW
28	G85-0401	DRIVE SHAFT RET SCREW	82	E16-7101	SET PLT SPRING
29	G79-4105	PLT A	83	F61-3401	BRAKE DIAL RET A
30	G79-5705	PLT B	84	B33-9801	BRAKE DIAL RET B
31	G31-8503	PLT SCREW A	85	F63-7701	BRAKE DIAL WASHER
32	G61-1501	PLT SCREW B	86	F71-7702	MAGNET HOLDER
33	G79-0401	CLUTCH CAM SPRING	87	B54-3201	MAGNET HOLDER RET RING
34	F50-5701	CLUTCH PLT SCREW	88	F57-4303	SPACER B
35	G79-0501	DRIVE SHAFT RET SPRING	89	375-7411	SPACER A
36	F79-4801	YOKE	90	375-7404	BEARING METAL WASHER
37	G85-0301	YOKE SPRING	91	G49-8602	BALL BEARING E
38	G88-4401	PINION GEAR	92	E21-9701	BEARING RET B
39	G41-0301	LINE GUIDE	93-103	Z01-7897	SPOOL
40	G01-0701	WORM SHAFT HOLDER A	104	F44-0201	CLUTCH CAM SPRING WASHER
41	G79-0701	WORM SHAFT	105	G85-0701	CLUTCH PLT WASHER
42	F64-8301	WORM SHAFT HOLDER B	106	320-5901	CLUTCH PLT RET
43	F83-6502	WORM SHIELD	107	G68-4801	STABILIZER BAR WASHER
44	B71-5601	WORM SHAFT HOLDER C			
45	F65-5501	WORM SHAFT WASHER			
46	320-5901	WORM SHAFT RET			
47	121-4212	LINE GUIDE PAWL			
48	373-1303	LINE GUIDE PAWL WASHER			
49	342-4807	PAWL CAP			
50	G79-0901	A/R RATCHET			
51	G86-3501	DRIVE SHAFT WASHER B			
52	G79-1201	DRIVE GEAR			
53	G79-1301	EARED WASHER			

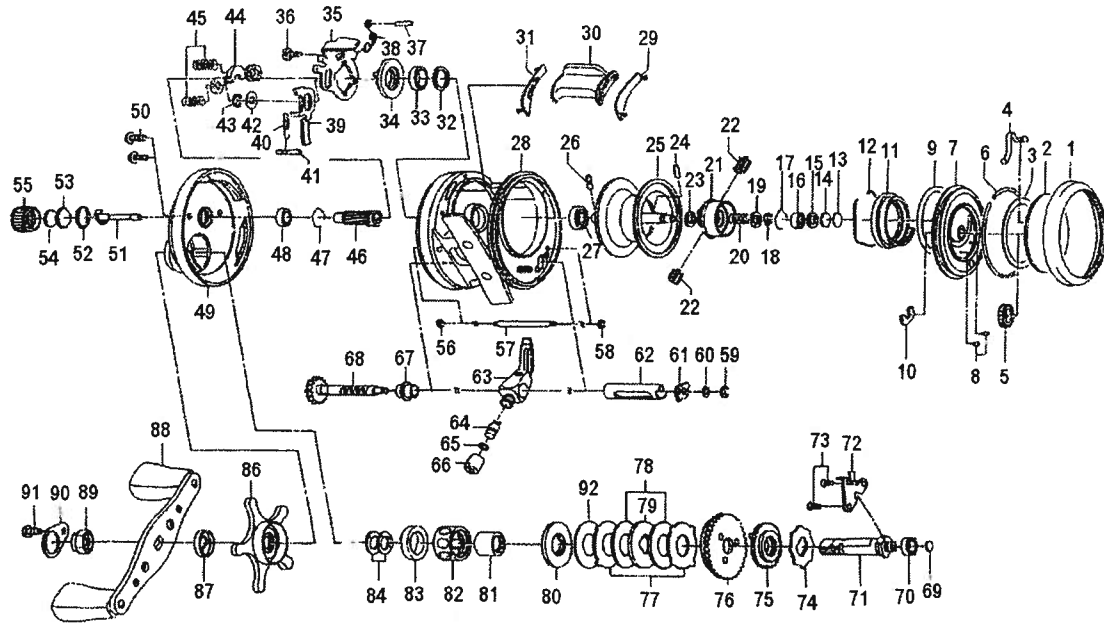
  

TDZLN100SHA Special Parts		
Key No.	Parts No.	Parts Name
1	G88-4601	R/S PLT
10	G78-9002	FRAME
29	G79-4102	PLT A
30	G79-5702	PLT B
38	G88-4701	PINION GEAR
52	G79-6401	DRIVE GEAR
93-103	Z01-7901	SPOOL



BAITCASTING REEL

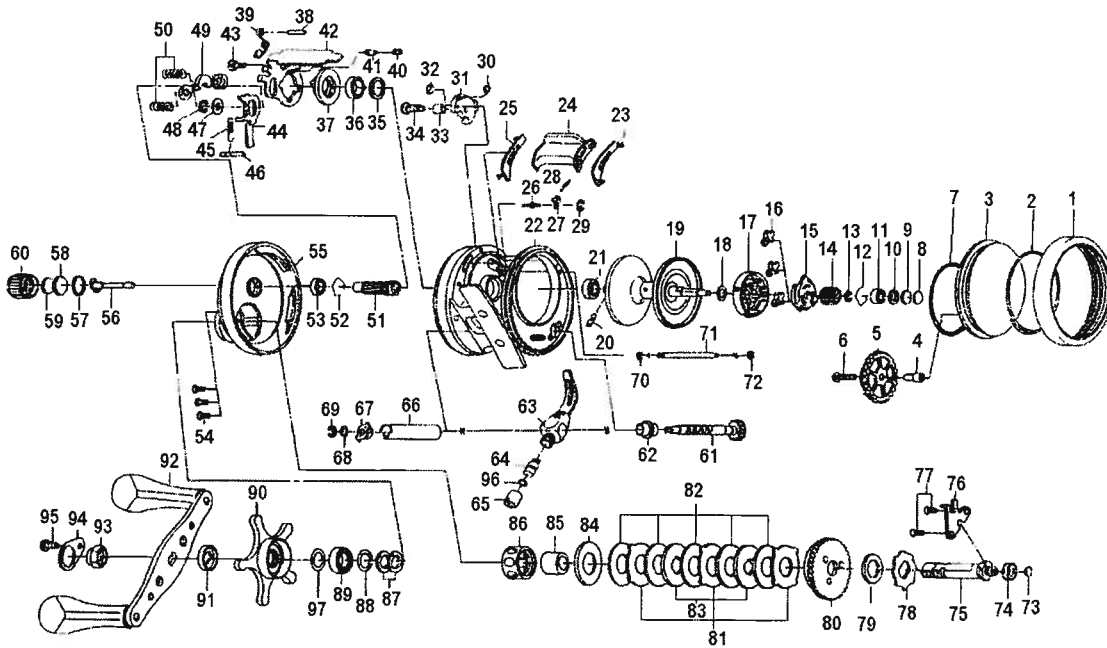
**TEAM DAIWA LUNA 103L**



Key No.	Parts No.	Parts Name	Key No.	Parts No.	Parts Name
1	G00-2212	R/S OUTER RING	51	F80-0501	PINION SHAFT
2	G28-8810	DIAL	52	171-5201	O RING B
3	G28-7801	RING	53	B17-5401	SPOOL ADJ CAP METAL
4	G28-8101	CLICK SPRING	54	B17-5503	RUBBER WASHER
5	G28-8201	IDLE GEAR	55	F57-4403	CAST CONTROL CAP
6	G00-1301	RET	56	F55-0501	STABILIZER BAR RET
7	G28-8606	R/S PLT	57	G52-7801	STABILIZER BAR
8	G50-0901	PIN	58	F55-0501	STABILIZER BAR RET
9	G00-2301	O RING A	59	320-5901	WORM SHAFT RET
10	G28-8301	DIAL HOLDER	60	373-1303	WORM SHAFT WASHER
11	G28-8401	MAGNET HOLDER	61	F79-5801	WORM SHAFT HOLDER A
12	G00-4601	MAGNET HOLDER RET	62	F79-5101	LEVEL WIND GUARD
13	375-7404	SPACER A	63	G00-1001	LINE GUIDE
14	375-7411	SPACER B	64	121-4212	LINE GUIDE PAWL
15	F57-4303	SPACER C	65	375-4101	LINE GUIDE PAWL WASHER
16	G43-1101	BALL BEARING A	66	341-5901	PAWL CAP
17	E21-9701	BEARING RET A	67	F79-5501	WORM SHAFT HOLDER B
18-27	Z01-7609	SPOOL	68	F84-9102	WORM SHAFT
28	G82-9501	FRAME	69	F57-5601	DRIVE SHAFT WASHER
29	G00-0303	CLUTCH LEVER PLT A	70	G53-8003	BALL BEARING D
30	G00-0401	CLUTCH LEVER	71	G02-2501	DRIVE SHAFT
31	G00-0203	CLUTCH LEVER PLT B	72	G06-7601	DRIVE SHAFT RET
32	F79-3401	BEARING RET B	73	E13-4501	DRIVE SHAFT RET SCREW
33	G43-1001	BALL BEARING B	74	F76-1701	A/R RATCHET
34	F99-7401	CLUTCH CAM	75	G00-1501	DRIVE GEAR A
35	G06-7201	YOKE PLT	76	G06-8001	DRIVE GEAR B
36	F79-3801	YOKE PLT SCREW	77	F79-6101	EARED WASHER
37	F79-4401	CLUTCH SPRING PIN	78	G42-8501	DRAG WASHER A
38	F99-8101	CLUTCH SPRING	79	F79-6301	KEY WASHER A
39	G06-7301	CLUTCH TRIP LEVER	80	B36-0303	KEY WASHER B
40	F79-4701	CLUTCH TRIP LEVER SPRING	81	G05-3001	GEAR SHAFT COLLAR
41	F79-4601	CLUTCH TRIP LEVER PIN	82	G81-9801	ROLLER CLUTCH
42	371-6905	CLUTCH TRIP LEVER WASHER	83	G05-2801	DRAG COLLAR
43	320-1402	CLUTCH TRIP LEVER RET	84	150-8901	DRAG SPRING WASHER
44	F99-8201	YOKE	86	G70-3802	STAR DRAG
45	F79-4901	YOKE SPRING	87	F85-0401	HANDLE COLLAR
46	F80-1501	PINION GEAR	88	G70-3901	HANDLE
47	E21-9701	BEARING RET C	89	341-5805	HANDLE NUT
48	G43-0901	BALL BEARING C	90	040-3208	HANDLE NUT PLT
49	G13-4306	L/S PLT	91	353-8301	HANDLE NUT PLT SCREW
50	B67-9302	R/S PLT SCREW	92	G45-5801	DRAG WASHER B

**BAITCASTING REEL**

**TEAM DAIWA LUNA 300L**



Key No.	Parts No.	Parts Name	Key No.	Parts No.	Parts Name
1	F79-8111	R/S OUTER RING	54	351-1106	SIDE COVER SCREW
2	F79-8201	BEARING RET A	55	G82-9801	L/S PLT
3	G80-7502	R/S PLT	56	F80-0501	PINION SHAFT
4	F91-8901	IDLE GEAR COLLAR	57	171-5201	O RING B
5	F91-8801	IDLE GEAR	58	B17-5401	SPOOL ADJ CAP METAL
6	F93-5401	IDLE GEAR SCREW	59	B17-5503	RUBBER WASHER
7	F79-8301	O RING A	60	F57-4403	CAST CONTROL CAP
8	375-7404	BEARING METAL WASHER	61	F91-8201	WORM SHAFT
9	375-7411	SPACER A	62	F91-7401	WORM SHAFT HOLDER A
10	G18-5101	SPACER B	63	F97-1201	LINE GUIDE
11	G51-1502	BALL BEARING A	64	121-4212	LINE GUIDE PAWL
12	F03-2201	BEARING RET B	65	341-5901	LINE GUIDE NUT
13-21	Z01-7536	SPOOL	66	F91-7501	LEVEL WIND GUARD
22	G83-0001	FRAME	67	F79-5801	WORM SHAFT HOLDER B
23	F79-3306	CLUTCH LEVER PLT A	68	376-1801	WORM SHAFT HOLDER WASHER
24	F89-3301	CLUTCH LEVER	69	320-5901	WORM SHAFT RET
25	F79-3203	CLUTCH LEVER PLT B	70	F55-0501	R/S PLT SCREW RET
26	F92-4001	SPOOL PIN	71	G45-6401	STABILIZER BAR
27	G83-0401	CLICK PAWL	72	F55-0501	R/S PLT SCREW RET
28	F99-5501	CLICK SPRING	73	F57-5601	DRIVE SHAFT WASHER A
29	B86-4101	CLICK RET	74	B55-0301	BUSHING
30	G83-0201	CLICK LEVER SPRING	75	F93-8602	DRIVE SHAFT
31	G83-0301	CLICK LEVER	76	F99-8001	DRIVE SHAFT RET
32	B86-4101	CLICK SPRING RET	77	E13-4501	DRIVE SHAFT RET SCREW
33	F94-0301	CLICK LEVER COLLAR	78	G12-0901	A/R RATCHET
34	352-2501	A/R LEVER SCREW	79	E42-5302	DRIVE SHAFT WASHER B
35	F79-3401	CLUTCH CAM RET	80	G83-0801	DRIVE GEAR
36	G43-1001	BALL BEARING B	81	F79-6101	EARED WASHER
37	F99-7401	CLUTCH CAM	82	G45-5801	DRAG WASHER B
38	F79-4401	CLUTCH SPRING PIN	83	F79-6301	KEY WASHER A
39	G60-8901	CLUTCH SPRING	84	B36-0303	KEY WASHER B
40	F28-7901	YOKE PLT SPRING	85	F79-6501	GEAR SHAFT COLLAR
41	G00-2901	YOKE PLT PIN	86	F55-2703	ROLLER CLUTCH
42	G83-0501	YOKE PLT	87	150-8901	SPRING WASHER
43	F79-3801	YOKE PLT SCREW	88	F36-6801	BEARING WASHER B
44	F99-7901	CLUTCH TRIP PLT	89	G42-7202	BALL BEARING D
45	F79-4701	CLUTCH TRIP PLT SPRING	90	G68-0402	STAR DRAG
46	F79-4601	CLUTCH TRIP LEVER PIN	91	F85-0401	HANDLE COLLAR
47	371-6907	CLUTCH TRIP PLT WASHER	92	G68-0501	HANDLE
48	320-1402	CLUTCH TRIP LEVER RET	93	G68-2302	HANDLE NUT
49	F99-8201	YOKE	94	G67-8901	HANDLE NUT PLT
50	F79-4901	YOKE SPRING	95	G60-9201	HANDLE NUT PLT SCREW
51	F99-8302	PINION GEAR	96	375-4101	LINE GUIDE PAWL WASHER
52	E21-9701	BEARING RET C	97	373-7810	SPACING SLEEVE
53	G43-0901	BALL BEARING C			