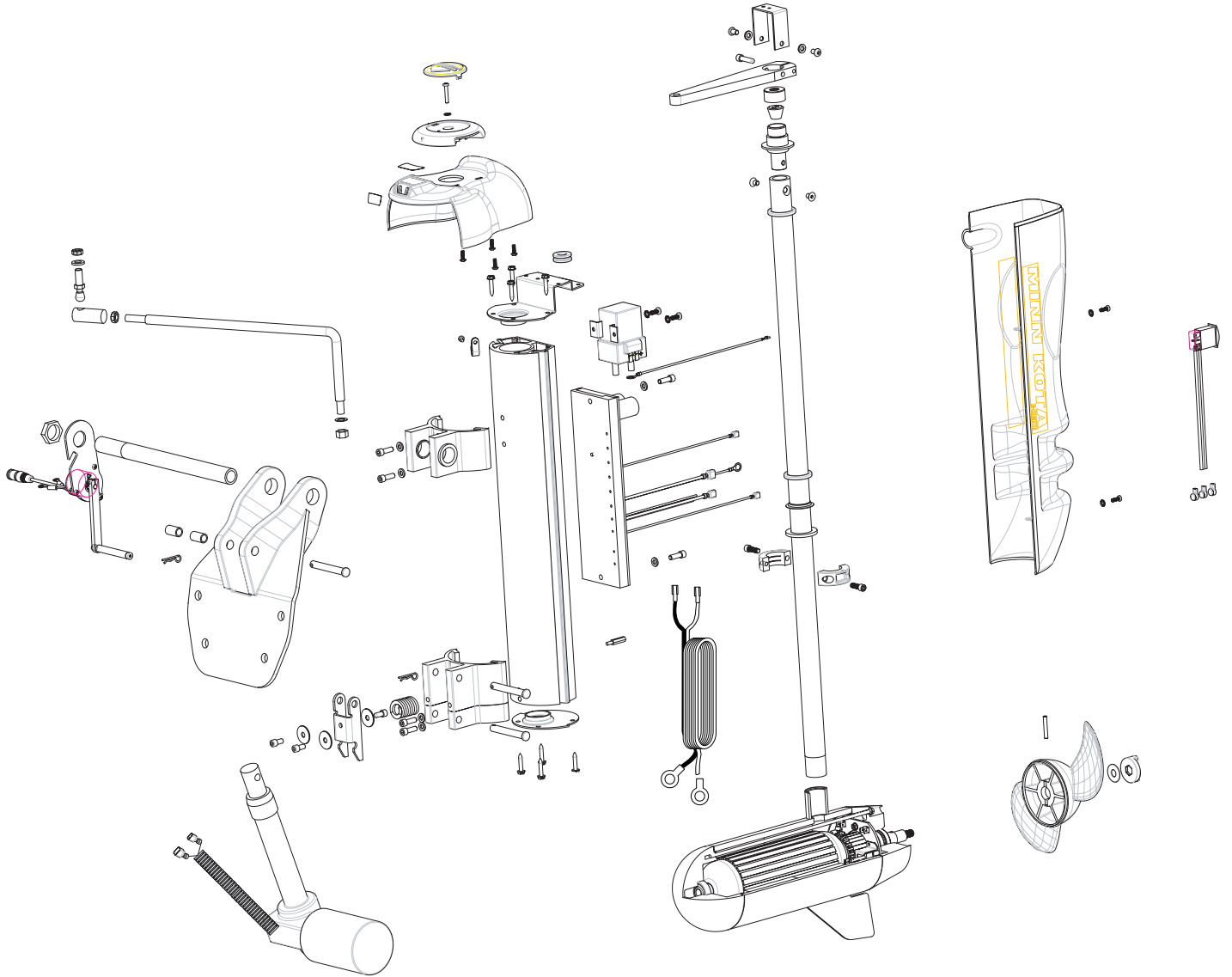


E-DRIVE 2 hp, 48-volt

for use with motors with serial numbers beginning MKAH (2-year warranty from date of purchase)

For parts and service
call toll free: 1-888-404-1119
www.mikesreelrepair.com



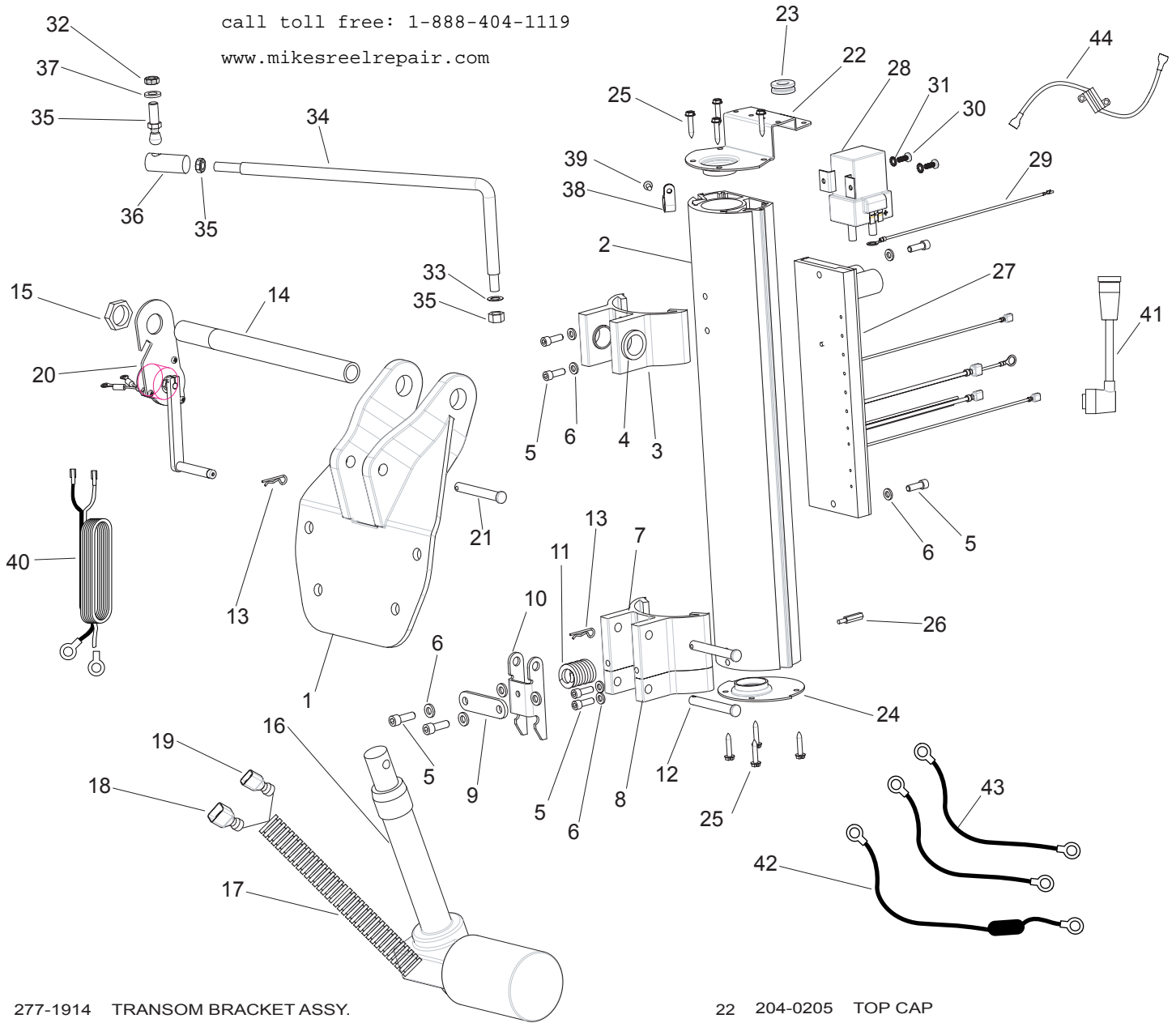
For parts and service
call toll free: 1-888-404-1119
www.mikesreelrepair.com

EXTRUSION ASSEMBLY

For parts and service

call toll free: 1-888-404-1119

www.mikesreelrepair.com



- 1 277-1914 TRANSOM BRACKET ASSY.
- 2 204-6505 MAIN EXTRUSION
- 277-1802 HINGE EXTRUSION ASSY.
- *3 204-1802 HINGE EXTRUSION
- *4 204-7300 BUSHING [2.EA]
- 5 995-4533 SCREW 1/4-20 X 3/4" [8.EA]
- 6 995-0357 LOCKWASHER [10.EA]
- 7 204-1806 SLIDE EXTRUSION
- 8 204-1804 STOP EXTRUSION
- 9 204-1940 LATCH PLATE
- 10 204-7200 LATCH
- 11 204-2715 SPRING
- 12 204-2600 SHORT CLEVIS PIN [2.EA]
- 13 226-0801 HAIR SPRING CLIP [3.EA]
- 14 204-2000 STEERING TUBE
- 15 995-0825 HEX STEERING NUT
- 277-2800 ACTUATOR ASSEMBLY
(includes items #15, 16, 17, 18)
- 16 204-2801 ACTUATOR
- 17 204-2021 CORRUGATED TUBE
- 18 204-0710 TERMINAL [MALE]
- 19 204-0711 TERMINAL [FEMALE]
- 20 204-1935 TILT BRACKET
- 21 204-2601 LONG CLEVIS PIN

For parts and service

call toll free: 1-888-404-1119

www.mikesreelrepair.com

- 22 204-0205 TOP CAP
- 23 204-2905 GROMMET
- 24 204-0200 BOTTOM CAP
- 25 205-3413 SCREW #10-16 X 1" [8.EA]
- 26 204-2911 HEX STANDOFF
- 27 204-4006 CONTROL BOARD
- 28 204-0700 CONTACTOR
- 29 204-0600 CONNECTING WIRE
- 30 222-3454 SCREW #10-32 X 1/2"
- 31 226-1718 LOCK WASHER
- 277-4210 DRAG LINK ASSEMBLY
(includes items #32,33,34,35,36,37)
- 32 238-3104 NYLOK NUT 3/8-24
- 33 990-067 THRUST WASHER
- 34 204-4210 DRAG LINK
- 35 226-3105 HEX NUT 3/8-24 [2.EA]
- 36 238-3515 QUICK DISCONNECT
- 37 990-9003 LOCK WASHER
- 38 205-2512 CABLE CLAMP
- 39 205-3415 SCREW 8-32 X 3/8" TRI-LOBE
- 40 204-0605 LEADWIRE 10GA.
- 41 204-1401 THROTTLE CABLE (3')
- 42 299-8200 CIRCUIT BREAKER ASSY.
- 43 234-0610 CONNECTOR CABLE [2.EA]
- 44 299-4071 RESISTOR ASSEMBLY

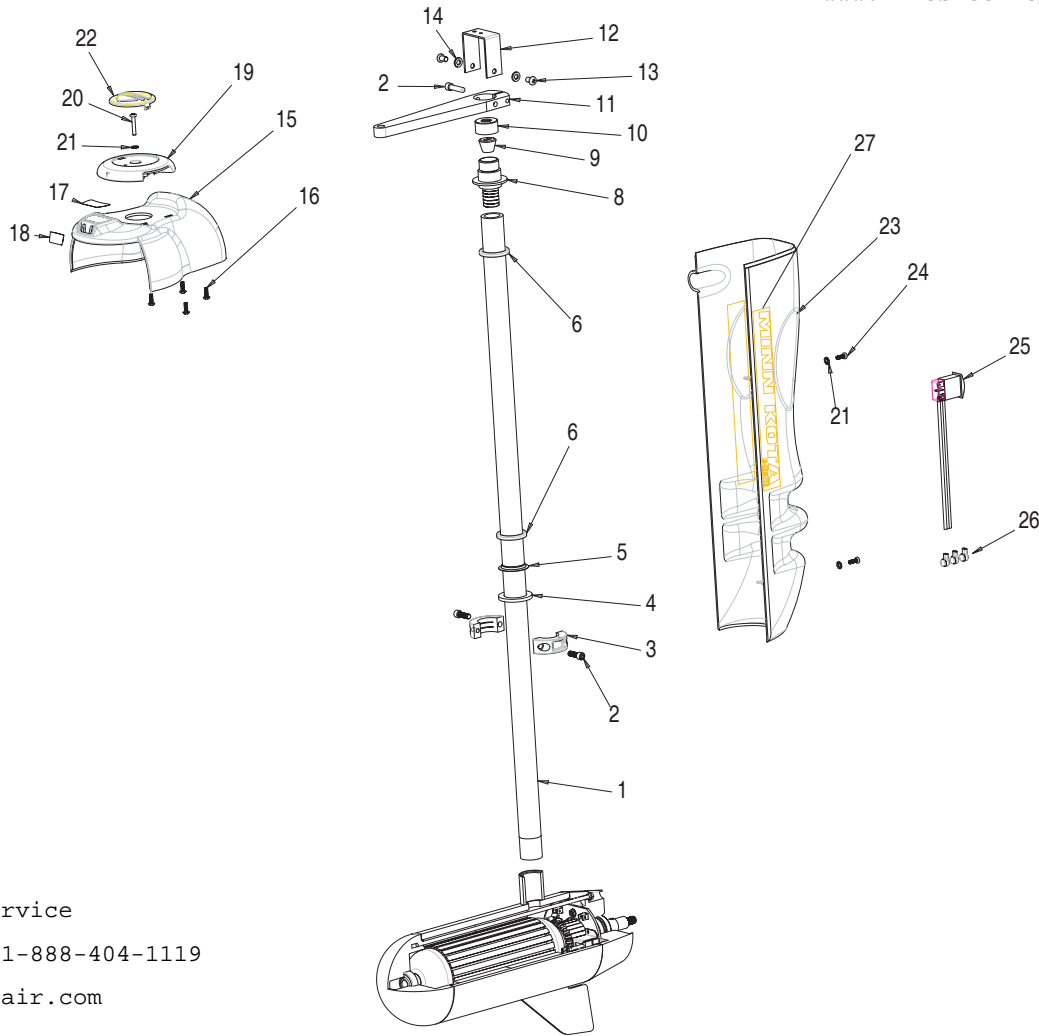
* part of an assembly, not available separately.

MOTOR SHAFT ASSEMBLY

For parts and service

call toll free: 1-888-404-1119

www.mikesreelrepair.com



For parts and service

call toll free: 1-888-404-1119

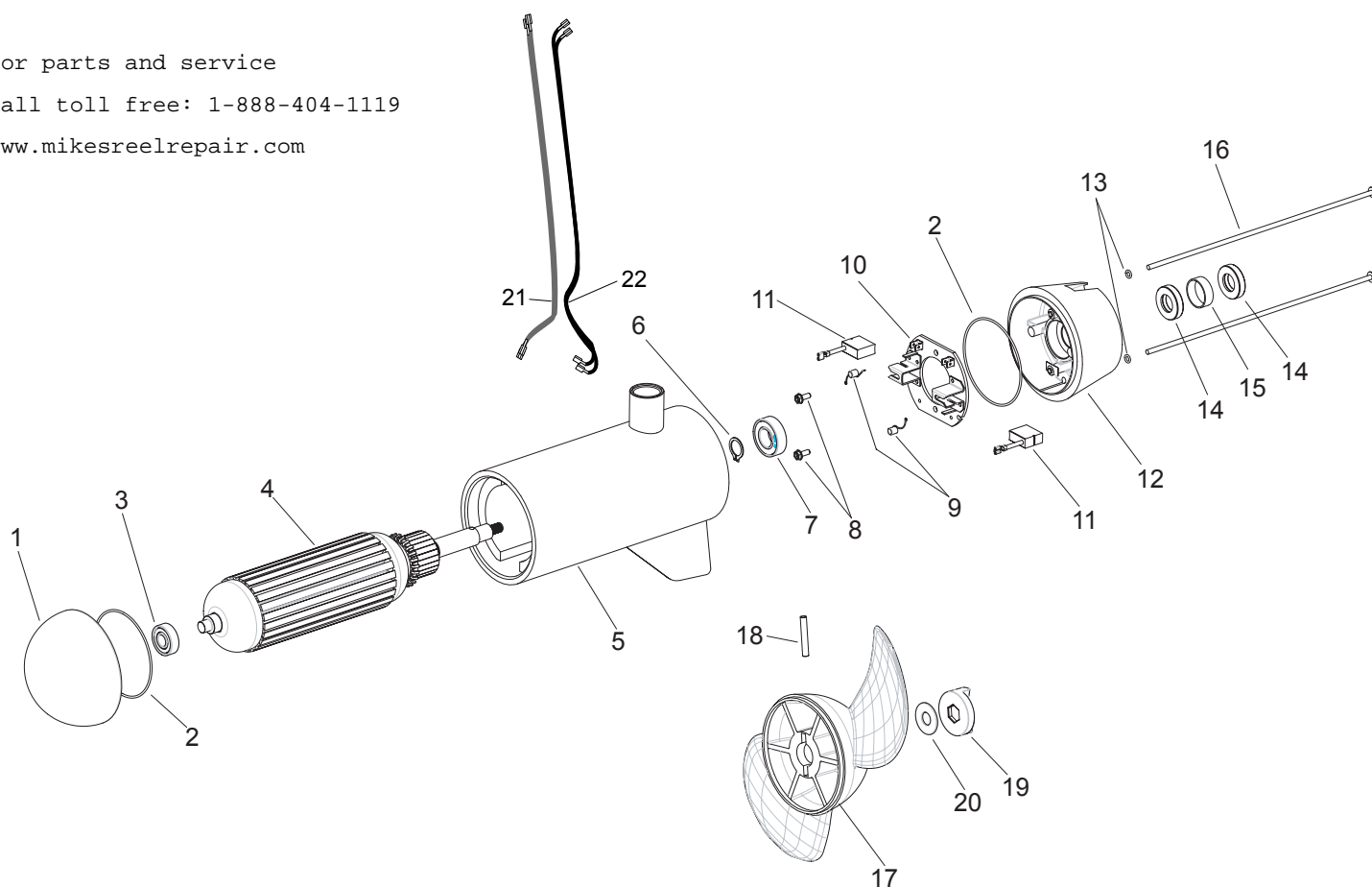
www.mikesreelrepair.com

- | | | | | | |
|-----|----------|-----------------------------|-----|----------|------------------------------|
| 1 | 204-2011 | MOTOR TUBE | 19 | 205-0110 | POINTER KNOB |
| 2 | 226-3453 | 1/4-20 X 1" SHCS [2.EA] | 20 | 226-3447 | SCREW #8-32 X 1 TRI-LOBE |
| 3 | 226-1619 | SPLIT COLLAR | 21 | 237-1715 | #8 LOCK WASHER [2.EA] |
| 4 | 204-1700 | SPACER WASHER | 22 | 205-6700 | POINTER |
| 5 | 226-6115 | BEARING CONE | ■ | 277-0222 | SHIELD ASSEMBLY |
| 6 | 226-6000 | BEARING [2.EA] | | | (includes items #23 and #27) |
| 8 | 204-6201 | MAIN BEARING RACE | *23 | 204-0220 | SHIELD |
| 9 | 238-2900 | PLUG | 24 | 233-2101 | #8-32 X 1/2" [2.EA] |
| 10 | 995-0339 | CAP | 25 | 299-4022 | TILT SWITCH ASSEMBLY |
| ■ | 277-4200 | STEERING ARM ASSEMBLY | 26 | 204-0340 | SCOTCHLOCK CONN. [3.EA] |
| | | (includes items #2 and #12) | *27 | 204-5611 | DECAL-SHIELD |
| *11 | 204-4200 | STEERING ARM | | | |
| 12 | 204-1910 | INDICATOR BRACKET | | | |
| 13 | 204-3416 | 1/4-28 X 3/8" BHCS [2.EA] | | | |
| 14 | 995-0357 | 1/4" LOCK WASHER [2.EA] | | | |
| 15 | 205-0210 | SHROUD | | | |
| 16 | 237-2100 | SCREW #8 X 5/8" [4.EA] | | | |
| 17 | 204-5600 | DECAL [TOP] | | | |
| 18 | 204-5610 | DECAL [SIDE] | | | |

* part of an assembly, not available separately.

LOWER UNIT ASSEMBLY

For parts and service
call toll free: 1-888-404-1119
www.mikesreelrepair.com



- 235-7000 MOTOR ASSEMBLY
- 1 421-310 PLAIN END
- 2 701-044 O-RING [2.EA]
- 3 140-011 BEARING
- 4 2-100-210 ARMATURE
- 92-200-210 CENTER HOUSING ASSEMBLY
- *5 2-200-210 CENTER HOUSING
- 6 788-075 SNAP RING
- 7 140-013 BEARING
- 8 205-3410 SCREW [2.EA]
- 9 975-041 SPRING [2.EA]
- 92-600-210 BRUSH PLATE ASSEMBLY
- *10 2-600-210 BRUSH PLATE
- 11 188-096 BRUSH [2.EA]
- 12 421-210 BRUSH END
- 288-4460 SEAL AND O-RING KIT
- 13 701-009 O-RING-THRU BOLT [2.EA]
- 14 880-027 SEAL [2.EA]
- 15 725-097 SEAL SPACER
- 16 830-096 THROUGH-BOLT [2.EA]
- 137-8140 PROP KIT (includes 17,18,19,20)
- *17 299-1110 PROP ASSEMBLY
- 288-2601 PROP PIN / ANODE KIT
- *18 235-2601 PROP PIN
- 19 219-8401 ANODE
- 20 209-1701 PROP WASHER
- 21 640-030 BLACK LEAD WIRE
- 22 640-130 RED LEAD WIRE

* part of an assembly, not available separately.

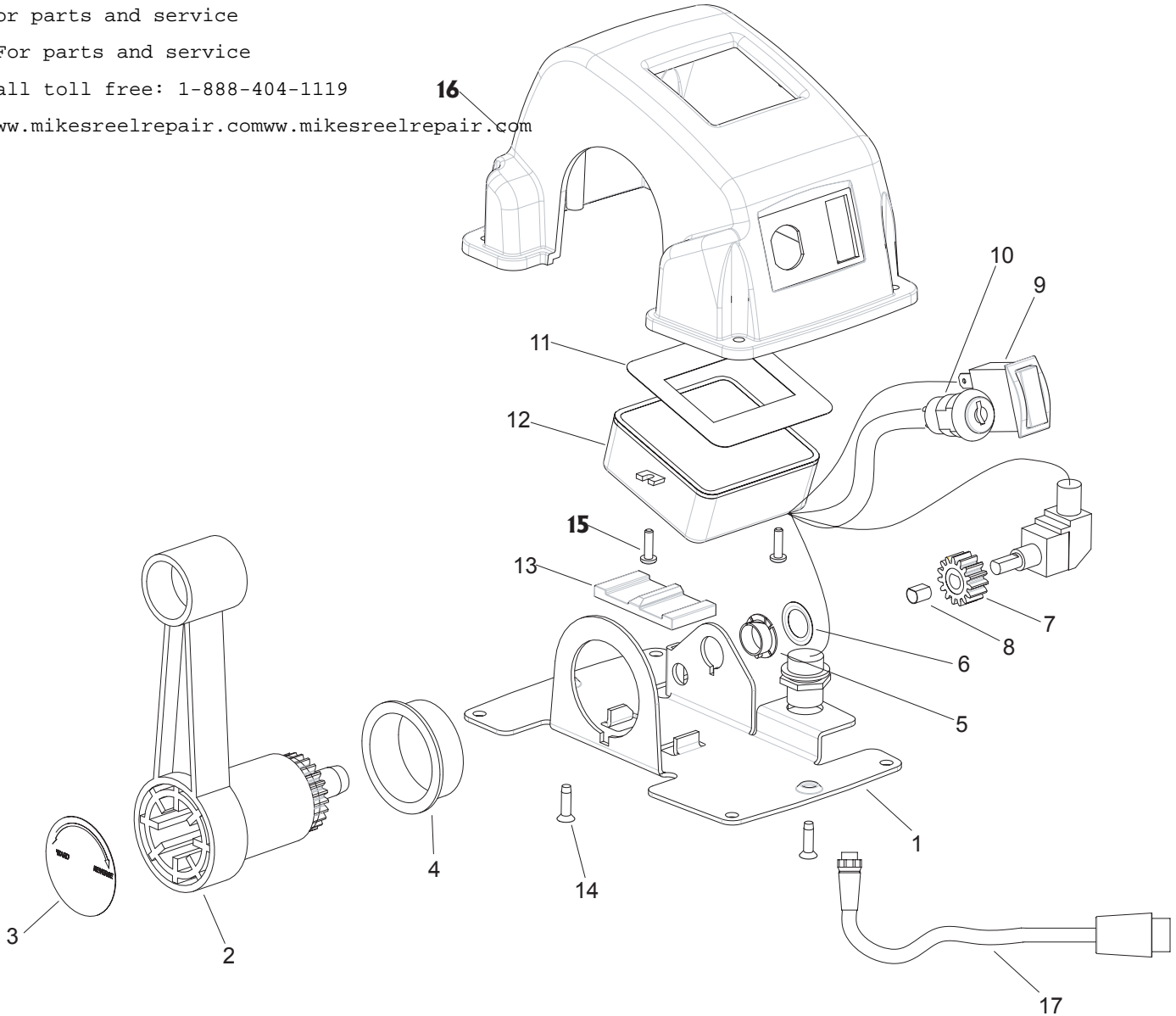
THROTTLE ASSEMBLY

For parts and service

call toll free: 1-888-404-1119

www.mikesreelrepair.com

www.mikesreelrepair.com



- 277-0216 THROTTLE ASSEMBLY
- 1 204-1915 BASE- THROTTLE
- 288-0900 HANDLE /W DECAL
- *2 204-0900 HANDLE -THROTTLE
- *3 204-5620 HANDLE- THROTTLE DECAL
- 4 230-7305 OUTER BUSHING
- 5 204-7315 BEARING- NYLINER
- 6 204-3110 SPEED NUT
- 7 204-2200 POTENTIOMETER GEAR
- 8 204-2705 KNOB SPRING
- 9 204-4020 TILT SWITCH
- 10 204-4026 KEY SWITCH
- 288-4013 LCD ASSEMBLY
- *11 204-5615 LCD DECAL
- *12 204-4011 LCD / CABLE ASSEMBLY
(includes potentiometer and cable plug)
- 13 204-2701 HANDLE SPRING
- 14 204-3408 SCREW #8-18 X 5/8" [2.EA]
- 15 230-2100 SCREW #6-20 X 1/2" [2.EA]
- 16 204-0215 THROTTLE COVER
- 17 204-1402 THROTTLE CABLE (17')

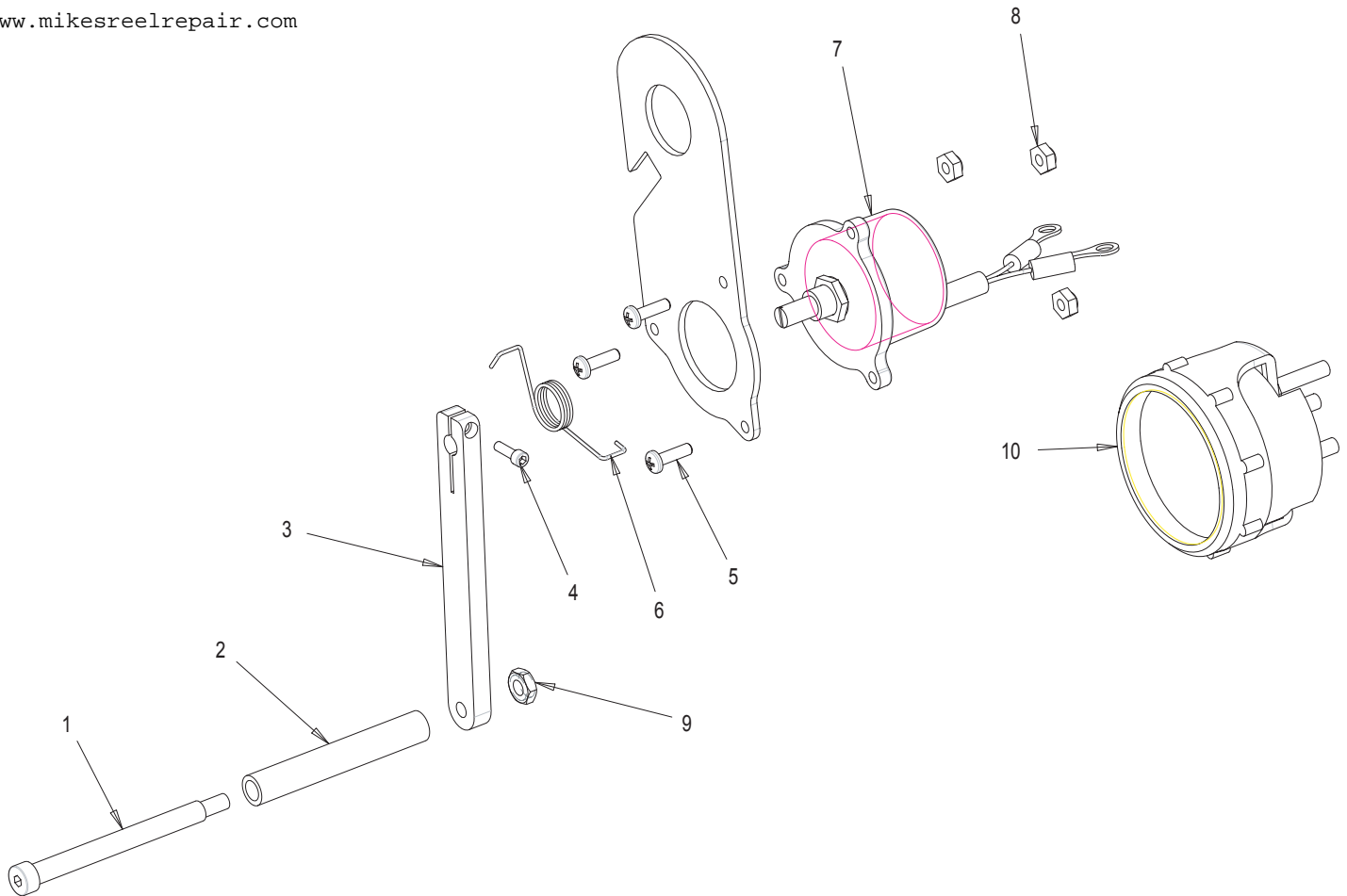
* part of an assembly, not available separately.

TILT GAUGE ASSEMBLY

For parts and service

call toll free: 1-888-404-1119

www.mikesreelrepair.com



- | | | |
|----|----------|---------------------------|
| 1 | 204-3500 | SHOULDER BOLT |
| 2 | 204-2005 | ROLLER TUBE |
| 3 | 204-4220 | TILT SENDER ARM |
| 4 | 204-3402 | #4-40 X 7/16" SCREW |
| 5 | 204-3400 | #6-32 X 1/2" SCREW [3.EA] |
| 6 | 204-2710 | TORSION SPRING |
| 7 | 299-8405 | POTENTIOMETER ASSEMBLY |
| 8 | 204-3112 | #6-32 NYLOK NUT [3.EA] |
| 9 | 201-3110 | #10-24 HEX NUT |
| 10 | 204-4030 | TILT GAUGE |

* part of an assembly, not available separately.

CONTROL BOARD WIRING for p/n 2044006

