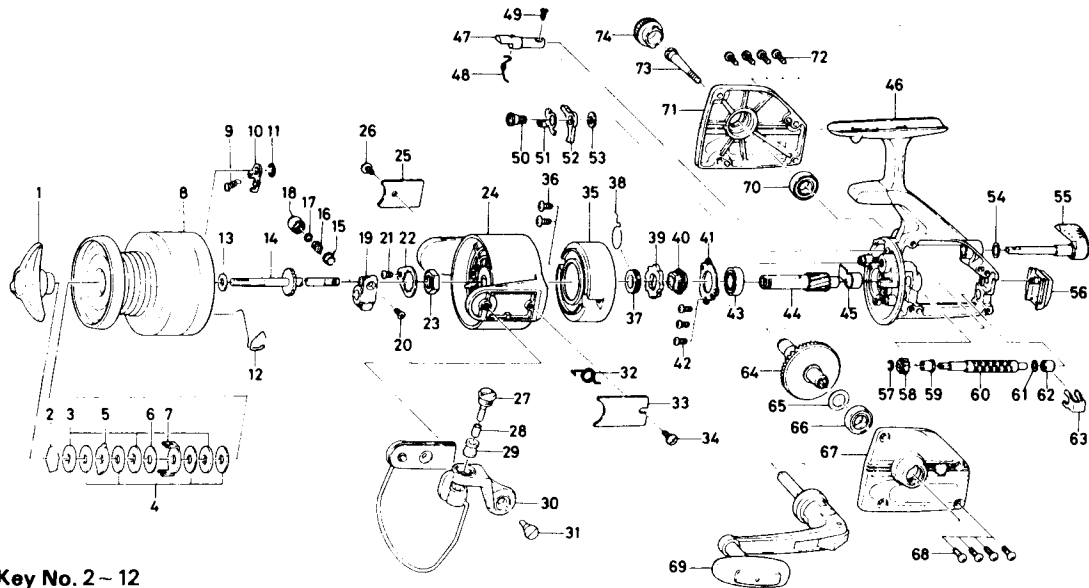


SPINNING REEL W7000



Key No. 2 - 12
6-E05-4002 Spool assembly

Key No.	Parts No.	Parts Name	Key No.	Parts No.	Parts Name
1	B44-7305	Drag knob	38	B76-2701	Anti-reverse pawl spring
2	170-4001	Drag washer retainer	39	B34-2201	Anti-reverse ratchet
3	373-2502	Key washer	40	B04-9102	Click gear
4	374-2903	Drag washer A	41	B66-5301	Bearing retainer
5	375-5301	Eared washer	42	B01-5801	Bearing retainer screw
6	371-2731	Drag washer B	43	635-4801	Ball bearing
7	B47-0201	Drag washer holder	44	B44-2301	Pinion gear
8	E05-4102	Spool	45	B88-0001	Pinion holder
9	145-2101	Click spring	46	E04-1102	Body
10	B07-8201	Click pawl	47	B44-1902	Anti-reverse cam
11	320-1402	Click retainer	48	144-0322	Anti-reverse cam spring
12	B31-7202	Spool metal leaf spring	49	B34-2101	Anti-reverse lever screw
13	374-9002	Spool washer	50	B66-5501	Anti-reverse pawl screw
14	E04-1701	Main shaft assembly	51	B66-5401	Anti-reverse pawl plate
15	B47-7901	Oscillating pawl bush	52	111-9201	Anti-reverse pawl
16	B44-4301	Oscillating pawl	53	375-1503	Anti-reverse pawl washer
17	375-4100	Oscillating pawl washer	54	B44-1800	Anti-reverse lever washer
18	B47-1402	Oscillating pawl nut	55	B44-2002	Anti-reverse lever
19	B96-9601	Oscillating support	56	B44-5302	Body cap
20	351-8901	Oscillating support screw	57	B33-9801	Worm shaft gear retainer
21	B83-4402	Rotor nut holding plate screw	58	B44-4101	Worm shaft gear
22	B02-1601	Rotor nut holding plate	59	B44-4001	Worm shaft bush
23	B43-7601	Rotor nut	60	B44-3901	Worm shaft
24	B96-9104	Rotor assembly	61	375-4200	Worm shaft washer
25	B44-2204	Bail trip cover	62	B47-1301	Worm shaft collar
26	B01-7102	Bail trip cover screw	63	B44-4201	Worm shaft retainer
27	B21-1304	Line roller screw	64	B47-1501	Drive gear
28	B44-3401	Line roller collar	65	371-2800	Drive gear washer
29	B86-8501	Line roller	66	635-4801	Ball bearing
30	E05-3702	Bail	67	E10-0001	Left side cover
31	B66-5801	Bail trip cam screw	68	B00-8602	Left side cover screw
32	B47-0901	Bail spring	69	E10-0101	Handle assembly
33	634-6809	Bail spring cover	70	635-4801	Ball bearing
34	B01-7102	Bail spring cover screw	71	B96-9807	Right side cover
35	B96-9001	Flange cover	72	B00-9702	Right side cover screw
36	B43-6601	Flange cover screw	73	B33-2501	Handle lock screw
37	B13-5701	Spring holder	74	B86-9901	Handle screw cap