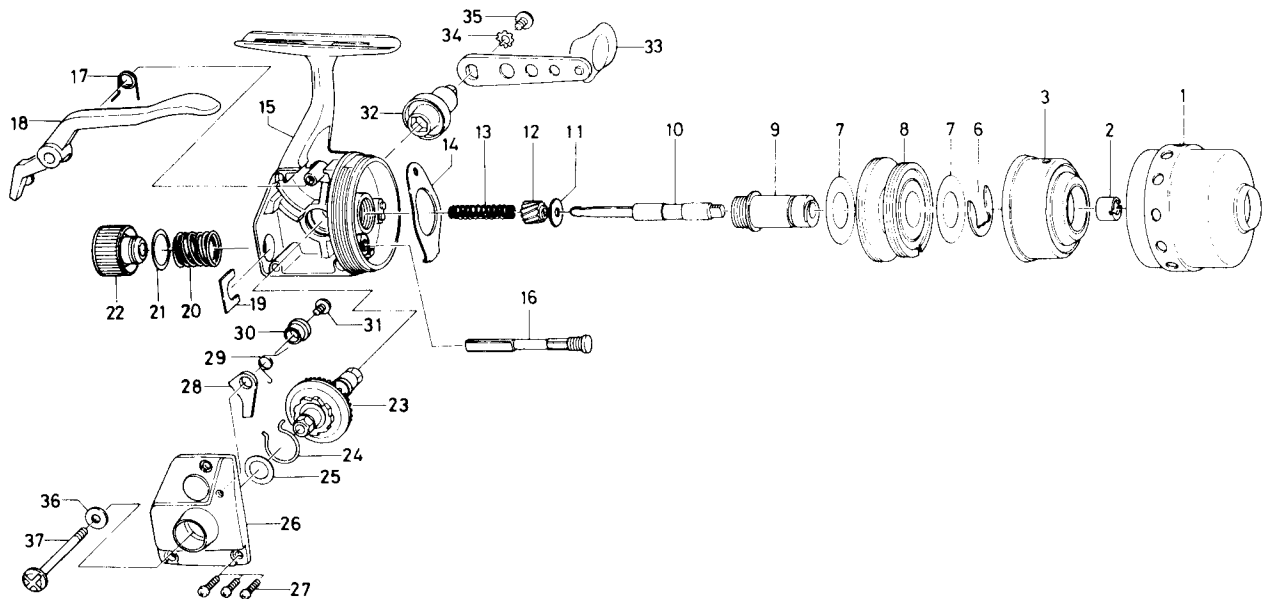


UNDER-SPINCAST REEL — US80XA



Key No.	Part No.	Part Name	
1	L10-1901	Front cover	6.90
2	342-4913	Rotor nut	.70
3	L10-1801	Rotor assembly	6.25
6	320-0351	Spool retainer	.40
7	370-0412	Spool washer	.40
8	L10-2501	Spool assembly	3.75
9	381-7611	Shaft metal	1.65
10	B63-5601	Main shaft	1.20
11	370-0227	Pinion washer	.35
12	402-6401	Pinion gear	1.40
13	142-7711	Main shaft spring	.55
14	B63-6001	Drag adjusting plate	.95
15	L10-0901	Body assembly	4.75
16	B63-5102	Drag adjusting screw	.95
17	L09-2601	Casting trigger spring	.60
18	L10-1101	Casting trigger	2.70
19	B60-3401	Drag knob retainer	.45
20	B64-3501	Drag washer spring	.50

Key No.	Part No.	Part Name	
21	B64-3401	Drag knob washer	.55
22	B63-5203	Drag knob	1.25
23	B63-5702	Drive gear	2.40
24	L10-1201	Anti-reverse pawl spring A	.70
25	373-7808	Drive gear washer	.40
26	L10-1301	Side cover	2.50
27	B00-9702	Side cover screw	.65
28	L10-1501	Anti-reverse pawl	.60
29	L09-3201	Anti-reverse pawl spring B	.60
30	L09-3801	Anti-reverse pawl collar	.50
31	E36-4202	Anti-reverse pawl screw	.60
32	B62-4602	Handle stand	2.10
33	B63-6301	Handle assembly	2.75
34	160-8001	Handle lock washer A	.50
35	353-8203	Handle lock screw A	.50
36	372-3501	Handle lock washer B	.55
37	L10-1701	Handle lock screw B	.95