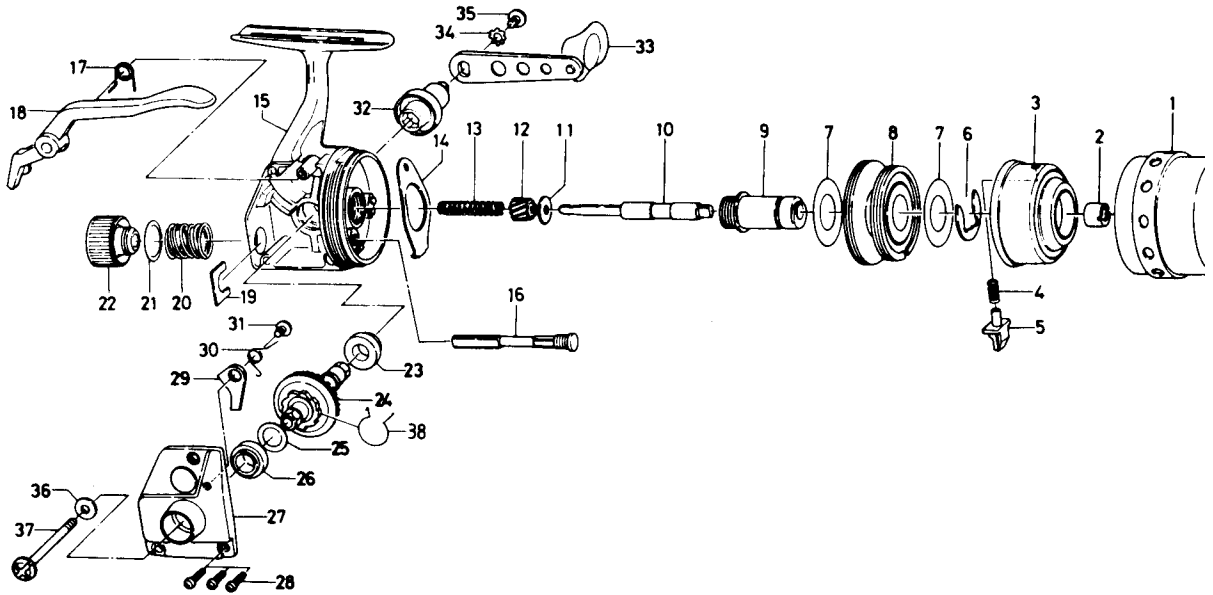


UNDER-SPINCAST REEL US80X



Key No. 3 ~ 5

K00-1706 Rotor assembly

Key No. 9 ~ 10

B63-5501 Main shaft assembly

| Key No. | Parts No. | Parts Name | Key No. | Parts No. | Parts Name |
|---------|-----------|------------------------|---------|-----------|----------------------------|
| 1 | K08-9001 | Front cover | 20 | B64-3501 | Drag washer spring |
| 2 | 342-4913 | Rotor nut | 21 | B64-3401 | Drag knob washer |
| 3 | K00-1804 | Rotor | 22 | B63-5203 | Drag knob |
| 4 | 142-4501 | Pick up pin spring | 23 | B43-7702 | Bearing |
| 5 | K06-5601 | Pick up pin | 24 | B63-5702 | Drive gear |
| 6 | 320-0351 | Spool retainer | 25 | 373-0100 | Drive gear washer |
| 7 | 370-0412 | Spool washer | 26 | B43-7702 | Bearing |
| 8 | B22-4004 | Spool | 27 | B63-5803 | Body cover |
| 9 | 381-7611 | Shaft metal | 28 | 351-1102 | Body cover screw |
| 10 | B63-5601 | Main shaft | 29 | 111-7011 | Anti-reverse pawl |
| 11 | 370-0227 | Pinion washer | 30 | 144-5112 | Anti-reverse pawl spring / |
| 12 | 402-6401 | Pinion gear | 31 | 351-7703 | Anti-reverse pawl screw |
| 13 | 142-7712 | Main shaft spring | 32 | B62-4601 | Gear shaft metal |
| 14 | B63-6001 | Drag adjusting plate | 33 | B63-6301 | Handle |
| 15 | K53-8602 | Body | 34 | 160-8101 | Handle washer A |
| 16 | B63-5102 | Drag adjusting screw | 35 | 353-8201 | Handle screw A |
| 17 | B62-3801 | Casting trigger spring | 36 | 372-3501 | Handle washer B |
| 18 | B63-5003 | Casting trigger | 37 | B11-5802 | Handle screw B |
| 19 | B60-3401 | Drag knob retainer | 38 | K08-8701 | Anti-reverse pawl spring I |