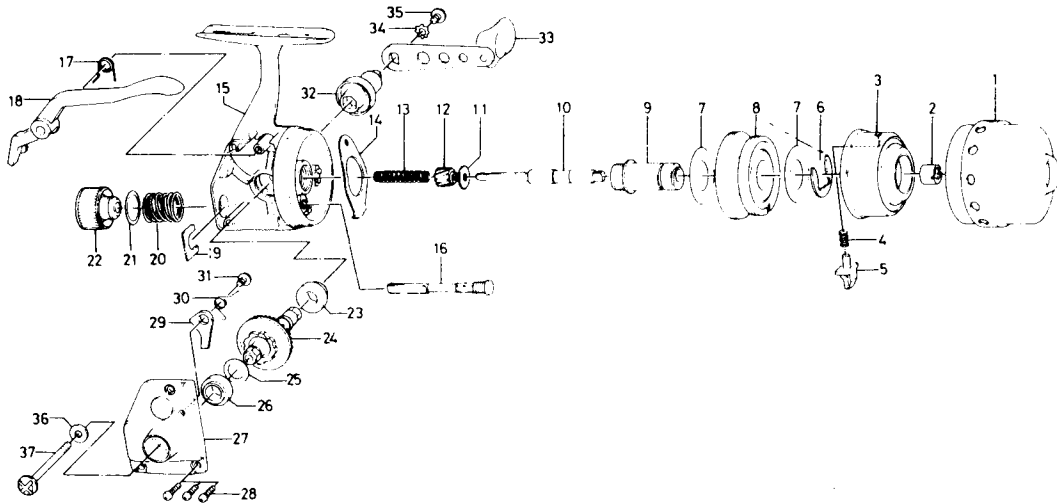


UNDER-SPINCAST REEL US80



Key No.	Parts No.	Parts Name	Key No.	Parts No.	Parts Name
1	B63-6101	Front cover	20	B64-3501	Drag washer spring
2	342-4912	Rotor nut	21	B64-3401	Drag knob washer
3	736-6202	Rotor	22	B63-5201	Drag knob
4	142-4501	Pick up pin spring	23	B43-7702	Bearing
5	180-3812	Pick up pin	24	B63-5701	Drive gear
6	320-0351	Spool retainer	25	373-0100	Drive gear washer
7	370-0412	Spool washer	26	B43-7702	Bearing
8	B22-4002	Spool	27	B63-5801	Body cover
9	381-7611	Shaft metal	28	351-7801	Body cover screw
10	B63-5601	Main shaft	29	111-7011	Anti-reverse claw
11	370-0227	Pinion washer	30	144-5111	Anti-reverse claw spring
12	402-6401	Pinion gear	31	351-7703	Anti-reverse claw screw
13	142-7712	Main shaft spring	32	B62-4601	Gear shaft metal
14	B63-6001	Drag adjusting plate	33	B63-6301	Handle
15	B63-4701	Body	34	160-8101	Handle washer A
16	B63-5101	Drag adjusting screw	35	353-8201	Handle screw A
17	B62-3801	Casting trigger spring	36	372-3501	Handle washer B
18	B63-5001	Casting trigger	37	B11-5802	Handle screw B
19	B60-3401	Drag knob retainer			

Sold as one unit
Rotor assembly
6-B46-4101

Sold as one unit
B63-5301
Main shaft assembly