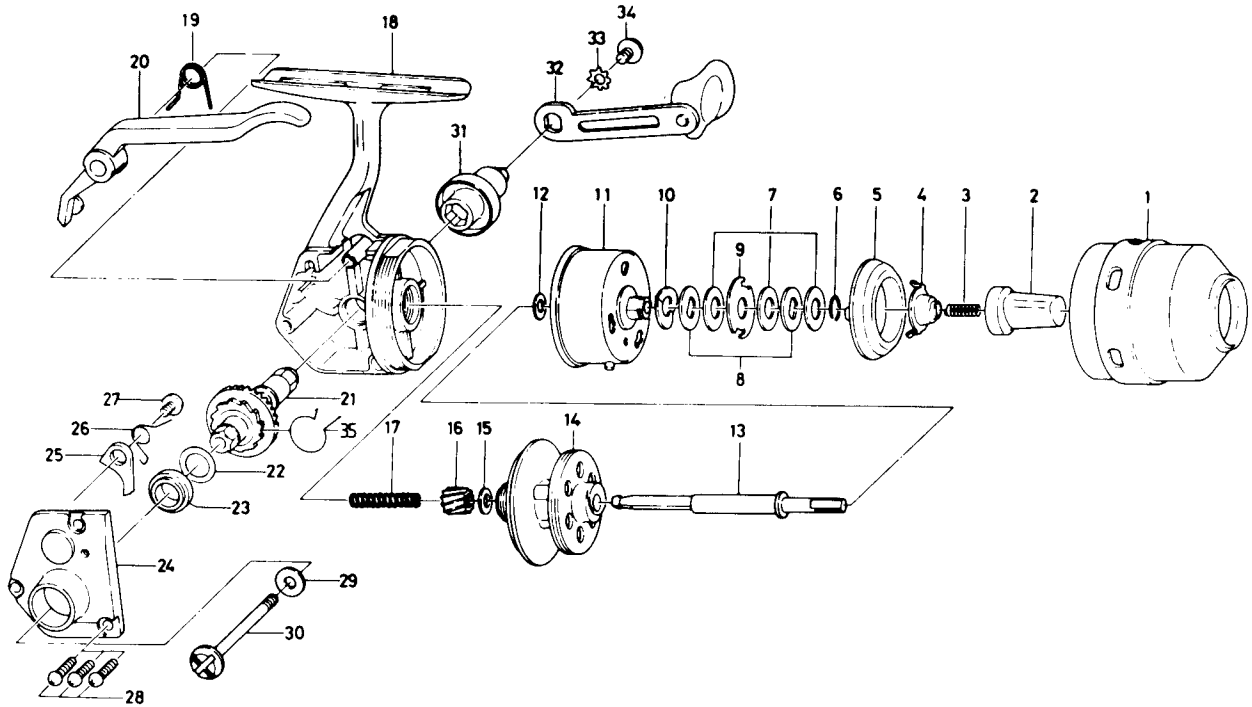


UNDER-SPINCAST REEL US40X



Key No.	Parts No.	Parts Name	Key No.	Parts No.	Parts Name
1	K08-8801	Front cover	19	B62-3801	Casting trigger spring
2	441-6002	Drag knob	20	B62-3703	Casting trigger
3	145-1501	Drag spring	21	B62-4402	Drive gear
4	376-1312	Drag adjusting plate	22	373-0102	Drive gear adjusting washer
5	330-4601	Line stopper	23	B43-7702	Bearing
6	171-7801	Drag washer retainer	24	B62-4503	Body cover
7	376-1101	Drag washer A	25	111-8501	Anti-reverse pawl
8	376-1001	Drag washer B	26	144-5112	Anti-reverse pawl spring A
9	376-1201	Drag washer C	27	350-1933	Anti-reverse pawl screw
10	150-6801	Drag washer D	28	351-1102	Body cover screw
11	736-7315	Rotor assembly	29	372-3501	Handle washer B
12	376-0901	Rotor washer	30	B62-4702	Handle screw B
13	B62-4001	Main shaft	31	B62-4602	Gear shaft metal
14	800-1442	Spool	32	746-0101	Handle
15	373-4501	Pinion washer	33	160-8101	Handle washer A
16	B62-4201	Pinion gear	34	353-8203	Handle screw A
17	K07-4201	Main shaft spring	35	K08-8901	Anti-reverse Pawl spring B
18	K06-9603	Body			