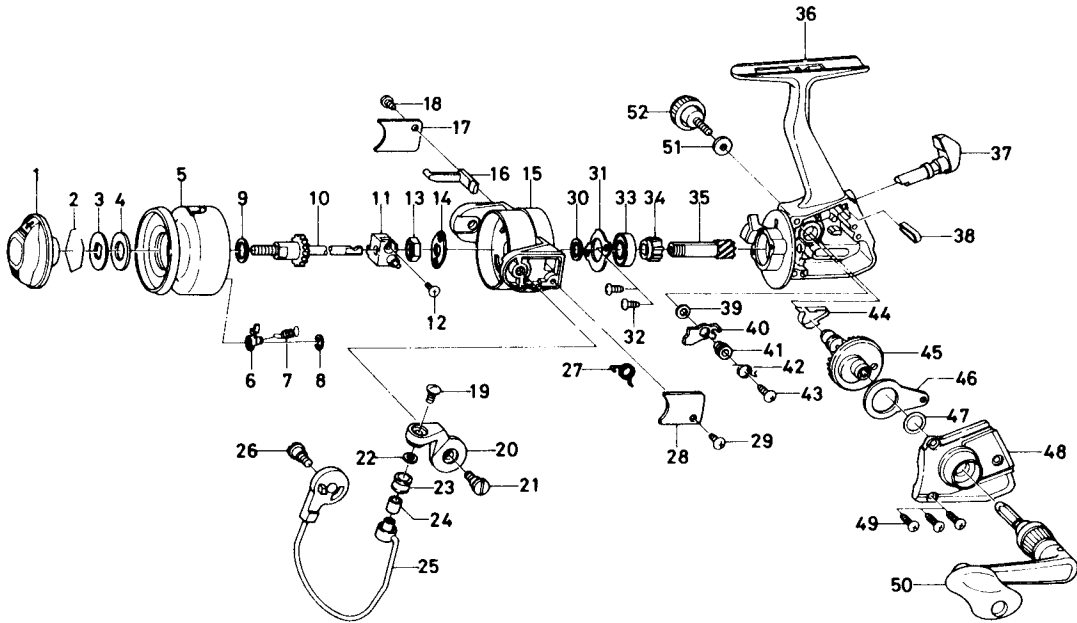


SPINNING REEL **UL7**



Key No. 1-8
F00-6501 Spool assembly

Key No.	Parts No.	Parts Name	Key No.	Parts No.	Parts Name
1	6-E32-2001	Drag knob	27	6-E32-0201	Bail spring
2	6-170-4001	Drag washer retainer	28	6-E31-9701	Bail spring cover
3	6-E32-5201	Key washer	29	6-E24-8102	Bail spring cover screw
4	6-E32-5101	Drag washer	30	6-B12-8701	Rotor washer
5	6-F00-6401	Spool	31	6-E32-4901	Bearing retainer A
6	6-B07-5301	Click pawl	32	6-B93-3001	Bearing retainer screw
7	6-144-1211	Click spring	33	6-E18-2801	Ball bearing
8	6-320-5901	Click retainer	34	6-E11-4201	Anti-reverse ratchet
9	6-E32-5001	Spool washer	35	6-E32-3401	Pinion gear
10	6-E32-0801	Main shaft assembly	36	6-E31-8701	Body assembly
11	6-481-2601	Oscillating slider	37	6-E31-9001	Anti-reverse lever
12	6-E15-0201	Oscillating slider screw	38	6-E31-9101	Anti-reverse lever spring
13	6-342-4001	Rotor nut	39	6-E15-3101	Anti-reverse pawl washer
14	6-E09-7601	Rotor plate	40	6-E31-9201	Anti-reverse pawl
15	6-E31-9401	Rotor	41	6-E03-3001	Anti-reverse pawl collar
16	6-E31-9801	Bail trip lever	42	6-E31-9301	Anti-reverse pawl spring A
17	6-E31-9701	Bail trip cover	43	6-B00-8601	Anti-reverse pawl screw
18	6-E24-8102	Bail trip cover screw	44	6-E32-0401	Anti-reverse pawl spring B
19	6-352-2503	Line roller screw	45	6-E32-0301	Drive gear
20	6-E31-9501	Bail arm	46	6-E32-0601	Oscillating support
21	6-E31-9601	Bail arm screw	47	6-375-8500	Drive gear washer
22	6-B55-4301	Line roller washer	48	6-E32-1001	Side cover
23	6-250-3921	Line roller	49	6-E13-0502	Side cover screw
24	6-B45-1501	Line roller bushing	50	6-E32-1301	Handle assembly
25	6-E31-9901	Bail	51	6-B92-4901	Handle lock washer
26	6-E31-9601	Bail trip cam screw	52	6-E03-5502	Handle lock screw