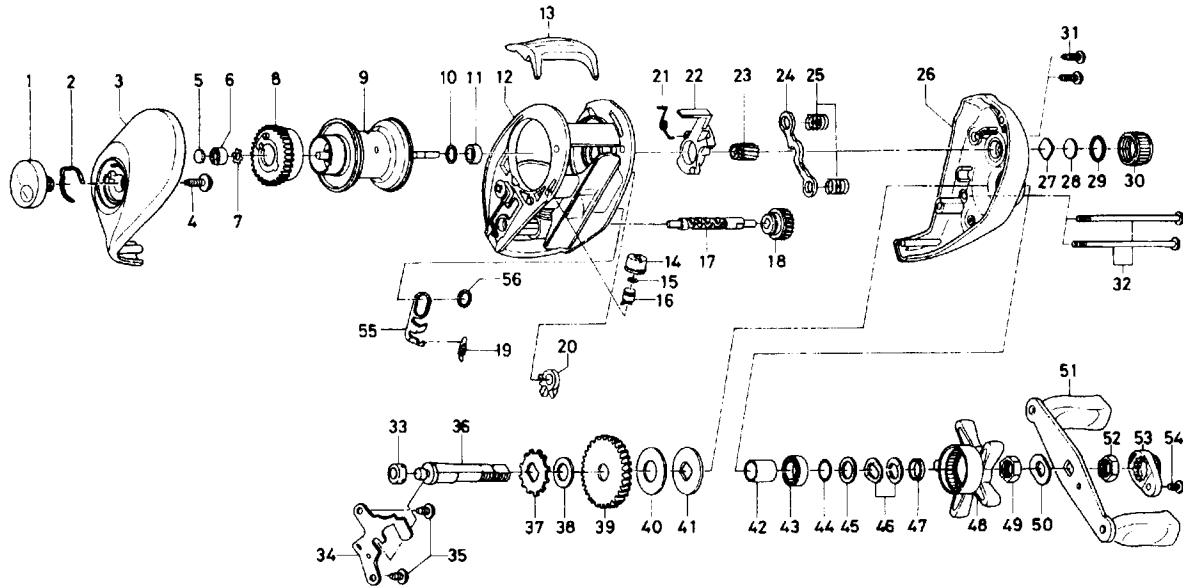


# BAITCASTING REEL TRIFORCE TE-S150B



Key No.	Parts No.	Parts Name	Key No.	Parts No.	Parts Name
1	F40-3604	Brake adjusting knob	33	B55-0301	Bushing C
2	F03-2401	Brake click spring	34	F43-9701	Drive shaft retainer
3	F40-3304	Left side plate	35	F21-2201	Drive shaft retainer screw
4	B84-2102	Brake adjusting knob screw	36	F40-2301	Drive shaft
5	374-9102	Spacer A	37	E32-7701	Anti-reverse ratchet
6	F40-3701	Bushing A	38	375-7103	Drive shaft washer
7	F41-2301	Bushing retainer A	39	F40-2501	Drive gear
8	E23-9501	Magnet holder	40	B36-0209	Drag washer
9	F43-4201	Spool assembly	41	636-0303	Key washer
10	F45-0601	Bushing retainer B	42	F40-7601	Gear shaft collar
11	E35-1501	Bushing B	43	E15-4001	Ball bearing
12	F43-4401	Frame assembly	44	B55-3801	Bearing washer A
13	F40-2004	Clutch lever	45	373-7810	Bearing washer B
14	F40-2801	Pawl cap	46	150-8901	Drag spring washer
15	375-0801	Line guide washer	47	B97-4901	Spacing sleeve
16	121-4214	Line guide pawl	48	F40-3201	Star drag
17	E45-1201	Worm shaft	49	B43-3601	Drag nut
18	F06-1301	Worm shaft gear	50	150-9001	Friction washer
19	144-2501	Clutch trip plate spring	51	E30-5201	Handle assembly
20	E48-9001	Anti-reverse pawl	52	B43-3601	Handle nut
21	E34-6601	Clutch cam spring	53	F05-4401	Handle nut plate
22	E23-7401	Clutch cam	54	351-1801	Handle nut plate screw
23	F40-9201	Pinion gear	55	F42-8801	Clutch trip plate
24	E23-7701	Yoke	56	F44-0201	Clutch trip plate washer
25	E16-7101	Yoke spring			
26	F40-2902	Right side plate			
27	B17-5401	Spool adjusting cap metal			
28	B17-5503	Spacer B			
29	171-5201	"O" ring			
30	F40-3001	Cast control cap			
31	E33-0401	Set plate screw			
32	E28-4901	Right side plate screw			