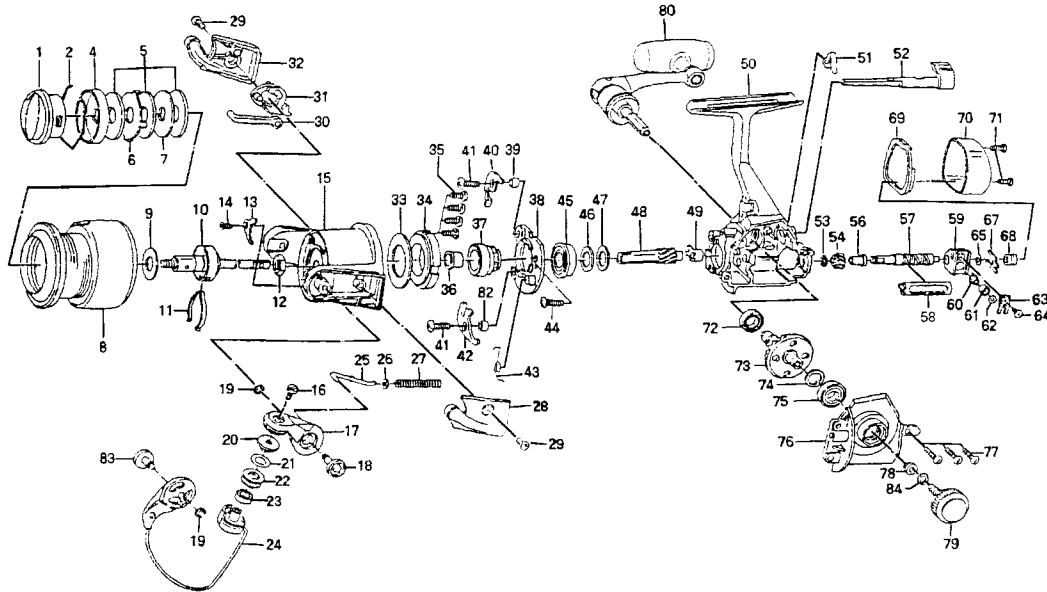


TOURNAMENT-S4000RA / HA



| Key No. | Parts No. | Parts Name |
|---------|-----------|--------------------------|
| 2-8 | G01-3101 | SPOOL |
| 1 | G01-3301 | DRAG KNOB |
| 2 | F71-0001 | DRAG WASHER RET |
| 4 | F75-6001 | DRAG KNOB CLICK PLT |
| 5 | F62-7101 | DRAG WASHER |
| 6 | F75-5701 | EARED WASHER |
| 7 | F75-5601 | KEY WASHER |
| 9 | F13-7501 | SPOOL WASHER |
| 10 | F47-5901 | MAIN SHAFT |
| 11 | F74-7702 | SPOOL CLICK LEAF SPRING |
| 12 | B10-5702 | ROTOR NUT |
| 13 | F18-9601 | ROTOR NUT HOLD PLT |
| 14 | E13-4501 | ROTOR NUT HOLD PLT SCREW |
| 15 | G01-2401 | ROTOR |
| 16 | F14-2004 | LINE ROLLER SCREW |
| 17 | F45-4303 | BAIL ARM |
| 18 | F34-5901 | BAIL ARM SCREW |
| 19 | 320-5901 | BAIL ARM SCREW RET |
| 20 | F70-8101 | LINE ROLLER COLLAR |
| 21 | F44-6202 | LINE ROLLER WASHER |
| 22 | F45-4902 | LINE ROLLER |
| 23 | F84-4901 | BALL BEARING A |
| 24 | G01-2501 | BAIL |
| 25 | E12-4701 | BAIL SPRING SHAFT |
| 26 | E31-3901 | BAIL SPRING WASHER |
| 27 | E43-5401 | BAIL SPRING |
| 28 | F35-6906 | BAIL SPRING COVER |
| 29 | F01-3701 | BAIL SPRING COVER SCREW |
| 30 | F35-7201 | BAIL TRIP PLT |
| 31 | F49-9201 | BAIL TRIP LEVER |
| 32 | F35-7306 | BAIL TRIP COVER |
| 33 | F19-7304 | ROLLER CLUTCH WASHER |
| 34 | F76-5401 | ROLLER CLUTCH |
| 35 | 351-4701 | ROLLER CLUTCH SCREW |
| 36 | F24-6001 | SPACING SLEEVE |
| 37 | F23-9102 | A/R RATCHET |
| 38 | F23-8301 | BEARING RET |
| 39 | F22-6801 | A/R PAWL COLLAR A |
| 40 | F23-8801 | A/R PAWL PLT |
| 41 | E45-4001 | A/R PAWL SCREW |
| 42 | F23-8901 | A/R PAWL |
| 43 | F22-7101 | A/R PAWL SPRING |
| 44 | 351-8501 | BEARING RET SCREW |
| 45 | F24-0001 | BALL BEARING B |

| Key No. | Parts No. | Parts Name |
|---------|-----------|------------------------|
| 46 | 371-2822 | PINION WASHER A |
| 47 | 371-2821 | PINION WASHER B |
| 48 | F36-6902 | PINION GEAR |
| 49 | B88-0001 | PINION COLLAR |
| 50 | G01-2301 | BODY |
| 51 | F76-9101 | A/R CAM SPRING |
| 52 | E45-0402 | A/R LEVER |
| 53 | 320-5901 | WORM SHAFT GEAR RET |
| 54 | E44-8202 | WORM SHAFT GEAR |
| 56 | E44-6801 | WORM SHAFT BUSH |
| 57 | E44-8101 | WORM SHAFT |
| 58 | F02-1002 | WORM SHIELD |
| 59 | E44-6702 | OSC SLIDER |
| 60 | F02-1202 | OSC PAWL |
| 61 | E19-1301 | OSC PAWL BUSH |
| 62 | 375-0801 | OSC PAWL WASHER |
| 63 | E12-5901 | OSC SLIDER COVER |
| 64 | 351-8904 | OSC SLIDER COVER SCREW |
| 65 | 375-4101 | OSC SLIDER WASHER |
| 67 | E36-3801 | WORM SHAFT RET |
| 68 | E19-1101 | WORM SHAFT COLLAR |
| 69 | E45-0703 | WATER SHIELD |
| 70 | E45-0806 | REAR COVER |
| 71 | F01-6302 | REAR COVER SCREW |
| 72 | B86-1702 | BALL BEARING C |
| 73 | E44-7004 | DRIVE GEAR |
| 74 | 373-7808 | DRIVE GEAR WASHER |
| 75 | B62-8601 | BALL BEARING D |
| 76 | F08-5007 | SIDE COVER |
| 77 | 351-8505 | SIDE COVER SCREW |
| 78 | F43-3502 | HANDLE COLLAR |
| 79 | F76-4801 | HANDLE SCREW |
| 80 | G01-2601 | HANDLE |
| 82 | F23-8701 | A/R PAWL COLLAR B |
| 83 | F66-0901 | BAIL HOLDER SCREW |
| 84 | 160-8101 | HANDLE SCREW WASHER |

T-S4000HA Special Parts

| Key No. | Parts No. | Parts Name |
|---------|-----------|-----------------|
| 48 | F76-3601 | PINION GEAR |
| 54 | F76-3501 | WORM SHAFT GEAR |
| 57 | G01-3501 | WORM SHAFT |
| 73 | F76-3701 | DRIVE GEAR |
| 76 | F08-5008 | SIDE COVER |