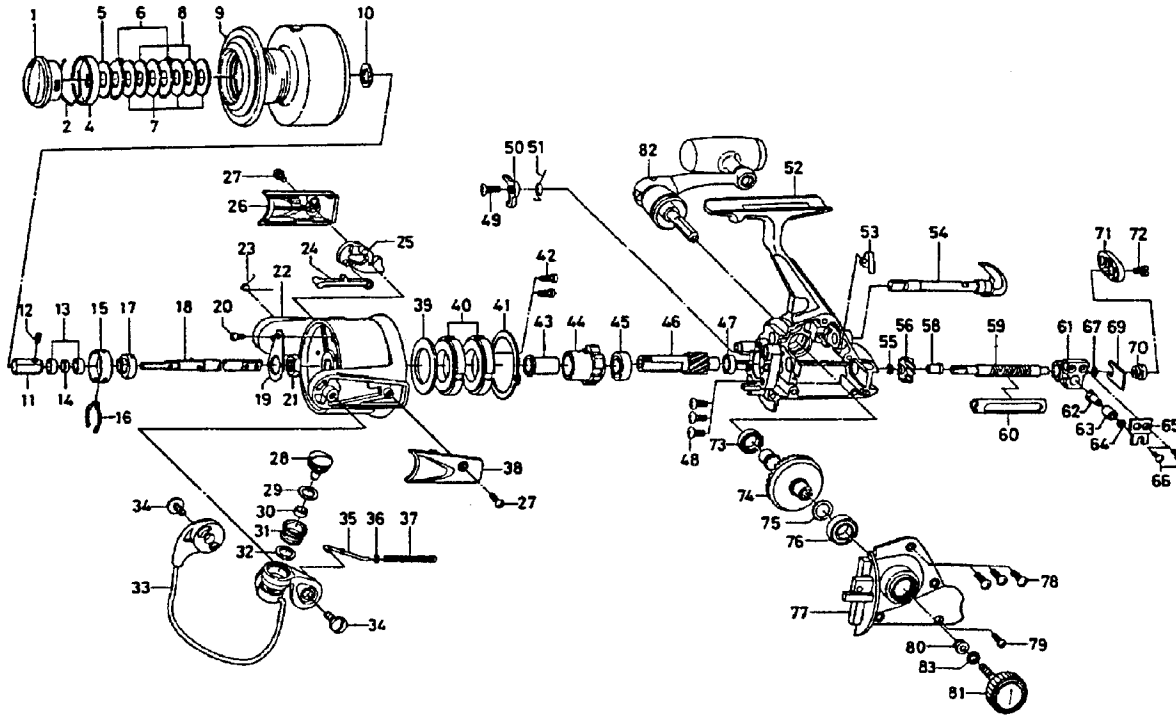


SPINNING REEL **TOURNAMENT-S6000HA**



| Key No. | Parts No. | Parts Name | Key No. | Parts No. | Parts Name |
|---------|-----------|--------------------------|---------|-----------|------------------------|
| 2-9 | G13-5001 | SPOOL | 42 | 351-1101 | ROLLER CLUTCH SCREW |
| 1 | G01-3301 | DRAG KNOB | 43 | F24-2401 | SPACING SLEEVE |
| 2 | F71-0001 | DRAG WASHER RET | 44 | F24-4801 | A/R RATCHET |
| 4 | F75-6001 | DRAG KNOB CLICK PLT | 45 | 637-6101 | BALL BEARING C |
| 5 | F75-5801 | DRAG WASHER A | 46 | F75-6501 | PINION GEAR |
| 6 | F75-5701 | EARED WASHER | 47 | B86-1702 | BALL BEARING D |
| 7 | F75-5501 | DRAG WASHER B | 48 | F25-2401 | BALL BEARING SCREW |
| 8 | F75-5601 | KEY WASHER | 49 | F24-7101 | A/R PAWL SCREW |
| 10 | F13-7501 | SPOOL WASHER | 50 | F24-2701 | A/R PAWL |
| 11 | F23-5701 | SHAFT METAL | 51 | F24-2801 | A/R PAWL SPRING |
| 12 | F23-5801 | SHAFT METAL SCREW | 52 | G01-4901 | BODY |
| 13 | B35-8601 | BALL BEARING A | 53 | E32-7801 | A/R CAM SPRING |
| 14 | F23-5601 | SHAFT METAL COLLAR | 54 | F23-7506 | A/R LEVER |
| 15 | E12-2301 | CLICK LEAF SPRING HOLDER | 55 | 320-5901 | WORM SHAFT GEAR RET |
| 16 | B74-7701 | SPOOL CLICK LEAF SPRING | 56 | F75-6601 | WORM SHAFT GEAR |
| 17 | F80-2301 | SPOOL METAL | 58 | F26-0701 | WORM SHAFT BUSH |
| 18 | F56-9701 | MAIN SHAFT | 59 | F26-0601 | WORM SHAFT |
| 19 | F81-9002 | ROTOR NUT HOLD PLT | 60 | F26-0502 | WORM SHIELD |
| 20 | 352-2201 | ROTOR NUT HOLD PLT SCREW | 61 | F25-9402 | OSC SLIDER |
| 21 | B43-7603 | ROTOR NUT | 62 | E26-4101 | OSC PAWL |
| 22 | F57-1404 | ROTOR | 63 | E26-4201 | OSC PAWL BUSH |
| 23 | F29-6801 | BAIL TRIP LEVER SPRING | 64 | 375-0801 | OSC PAWL WASHER |
| 24 | F24-3902 | BAIL TRIP PLT | 65 | E26-4301 | OSC SLIDER COVER |
| 25 | F23-4202 | BAIL TRIP LEVER | 66 | 352-1505 | OSC SLIDER COVER SCREW |
| 26 | F24-4604 | BAIL TRIP COVER | 67 | 375-4101 | OSC SLIDER WASHER |
| 27 | F29-9501 | BAIL TRIP COVER SCREW | 69 | F23-2601 | WORM SHAFT RET |
| 28 | F23-4404 | LINE ROLLER SCREW | 70 | F25-7002 | WORM SHAFT COLLAR |
| 29 | 373-2701 | LINE ROLLER WASHER A | 71 | F24-3501 | REAR COVER |
| 30 | F84-4901 | BALL BEARING B | 72 | F60-5101 | REAR COVER SCREW |
| 31 | F51-0001 | LINE ROLLER | 73 | B54-6001 | BALL BEARING E |
| 32 | F44-6202 | LINE ROLLER WASHER B | 74 | F75-6701 | DRIVE GEAR |
| 33 | G01-4501 | BAIL | 75 | 371-2824 | DRIVE GEAR WASHER |
| 34 | F23-3903 | BAIL HOLDER SCREW | 76 | 635-4801 | BALL BEARING F |
| 35 | E32-6701 | BAIL SPRING SHAFT | 77 | F24-3410 | SIDE COVER |
| 36 | E31-3901 | BAIL SPRING WASHER | 78 | F29-8902 | SIDE COVER SCREW A |
| 37 | F30-4301 | BAIL SPRING | 79 | 351-7802 | SIDE COVER SCREW B |
| 38 | F24-3804 | BAIL SPRING COVER | 80 | F40-9001 | HANDLE COLLAR |
| 39 | F19-7302 | ROLLER CLUTCH WASHER | 81 | F75-4901 | HANDLE SCREW |
| 40 | F76-5401 | ROLLER CLUTCH | 82 | G01-5001 | HANDLE |
| 41 | F18-3001 | BEARING RET | 83 | 160-8001 | HANDLE SCREW WASHER |