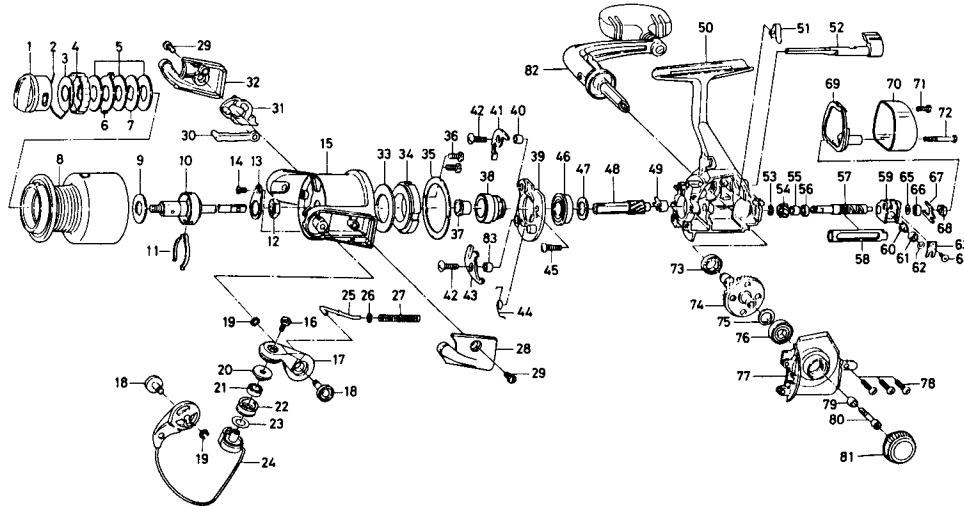


SPINNING REEL TOURNAMENT T-Z3000i



| Key No. | Parts No. | Parts Name | Key No. | Parts No. | Parts Name |
|---------|-----------|-------------------------------|---------|-----------|--------------------------------|
| 2-8 | F35-5901 | Spool assembly | 42 | E45-4001 | Anti-reverse pawl screw |
| 1 | F22-7501 | Drag knob | 43 | F23-8901 | Anti-reverse pawl |
| 2 | F06-2601 | Drag washer retainer | 44 | F22-7101 | Anti-reverse pawl spring |
| 3 | F01-6001 | Click plate washer | 45 | 351-6601 | Bearing retainer screw |
| 4 | E12-2803 | Drag knob click plate | 46 | F25-2901 | Ball bearing B |
| 5 | B38-0204 | Drag washer | 47 | F26-2801 | Spacer |
| 6 | E15-0101 | Eared washer | 48 | F36-8401 | Pinion gear |
| 7 | B65-2302 | Key washer | 49 | E34-4101 | Pinion collar |
| 8 | F35-6001 | Spool assembly | 50 | F35-4901 | Body assembly |
| 9 | F06-2701 | Spool washer | 51 | E26-8701 | Anti-reverse cam spring |
| 10 | F36-0101 | Main shaft assembly | 52 | F01-2712 | Anti-reverse lever |
| 11 | B74-7702 | Spool click leaf spring | 53 | 320-5901 | Worm shaft gear retainer |
| 12 | 340-6605 | Rotor nut | 54 | F02-1301 | Worm shaft gear |
| 13 | B66-2603 | Rotor nut holding plate | 55 | F28-2101 | Worm shaft bush |
| 14 | E17-9501 | Rotor nut holding plate screw | 56 | E33-2501 | Ball bearing C |
| 15 | F05-6302 | Line roller collar | 57 | F02-0902 | Oscillating pawl |
| 16 | F14-2003 | Line roller screw | 58 | F28-2602 | Worm shield cover |
| 17 | F34-5801 | Bail arm | 59 | F02-0902 | Oscillating slider |
| 18 | F34-5901 | Bail arm screw | 60 | F02-1202 | Oscillating pawl |
| 19 | 320-5901 | Bail arm screw retainer | 61 | E19-1301 | Oscillating pawl bush |
| 20 | F06-6302 | Line roller collar | 62 | 375-0801 | Oscillating pawl washer |
| 21 | F05-5601 | Ball bearing A | 63 | E24-4901 | Oscillating slider cover |
| 22 | F06-3201 | Line roller | 64 | 352-1502 | Oscillating slider cover screw |
| 24 | F35-5501 | Bail assembly | 65 | 375-4101 | Worm shaft washer |
| 25 | E12-4701 | Bail spring shaft | 66 | F28-2201 | Ball bearing D |
| 26 | E31-3901 | Bail spring washer | 67 | F28-2301 | Worm shaft retainer |
| 27 | E43-5401 | Bail spring | 68 | F28-2401 | Worm shaft collar |
| 28 | F35-5401 | Bail spring cover | 69 | F01-6102 | Water shield |
| 29 | F01-3701 | Bail spring cover screw | 70 | F01-6206 | Rear cover |
| 30 | F35-5701 | Rail trim plate | 71 | F01-6302 | Rear cover screw A |