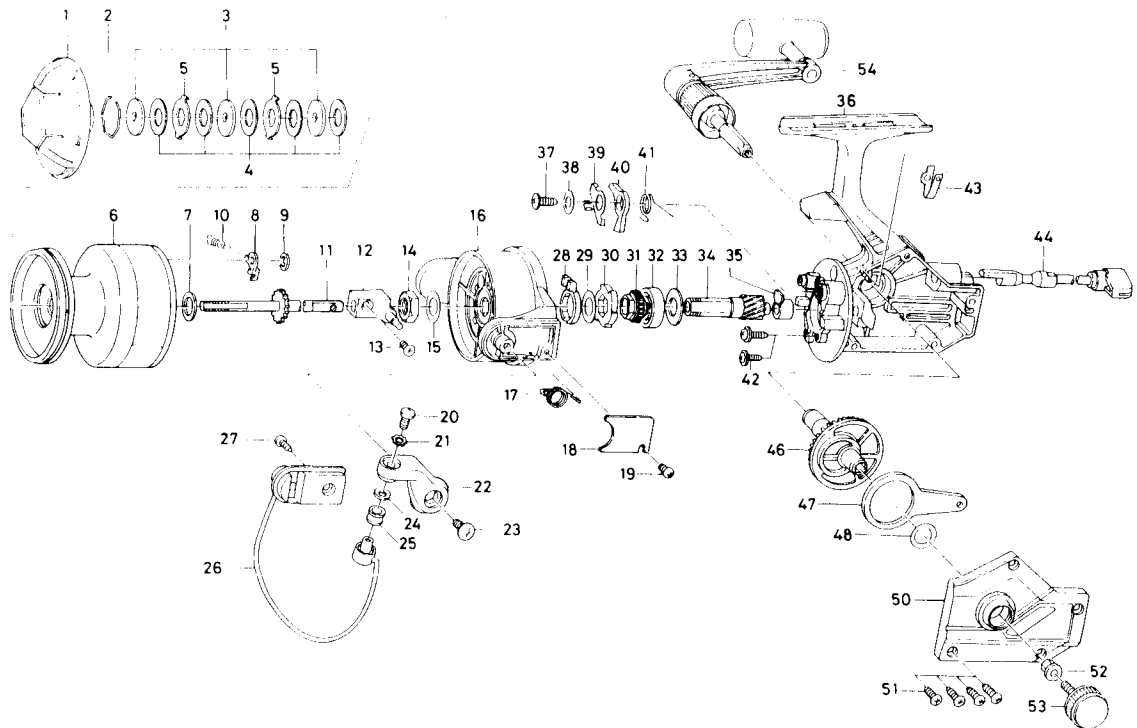


# SPINNING REEL TL9000B



Key No. 1-9  
L03-6001

Spool assembly

Key No.	Parts No.	Parts Name	Key No.	Parts No.	Parts Name
1	L03-4701	Drag knob	27	L01-1701	Bail trip cam screw
2	171-7701	Drag washer retainer	28	L00-6701	Spring holder
3	L01-8002	Key washer	29	L03-3801	Rotor washer
4	375-7802	Drag washer	30	L00-6301	Anti-reverse ratchet
5	B89-9501	Eared washer	31	L00-6201	Click gear
6	L03-6102	Spool assembly	32	637-6101	Ball bearing
7	L03-4201	Spool washer	33	B90-9201	Bearing washer
8	B07-8201	Click pawl	34	L00-6101	Pinion gear
9	320-1402	Click retainer	35	L00-6001	Pinion holder
10	145-2101	Click spring	36	L03-3706	Body
11	L03-3901	Main shaft	37	E00-7302	Anti-reverse pawl screw
12	L00-7501	Oscillating support	38	371-0604	Anti-reverse pawl washer
13	351-8901	Oscillating support screw	39	L00-6501	Anti-reverse pawl plate
14	340-8301	Rotor nut	40	L00-6401	Anti-reverse pawl
15	L03-3801	Rotor nut washer	41	L00-6601	Anti-reverse pawl spring
16	L02-7001	Rotor assembly	42	L01-1601	Bearing retainer screw
17	144-2201	Bail spring	43	E01-1801	Stopper leaf spring
18	L00-6904	Bail spring cover	44	L00-5703	Anti-reverse lever
19	B83-4401	Bail spring cover screw	46	L00-7801	Drive gear
20	353-9702	Line roller screw	47	L00-7901	Oscillating slider
21	160-8101	Lock washer	48	371-2800	Drive gear washer
22	E00-7501	Bail arm	50	L00-8007	Side cover
23	E00-7601	Bail arm screw	51	B83-5001	Side cover screw
24	373-4501	Line roller washer	52	501-8401	Handle collar
25	250-4221	Line roller	53	L00-9102	Handle lock screw
26	L03-5903	Bail	54	L01-2901	Handle assembly