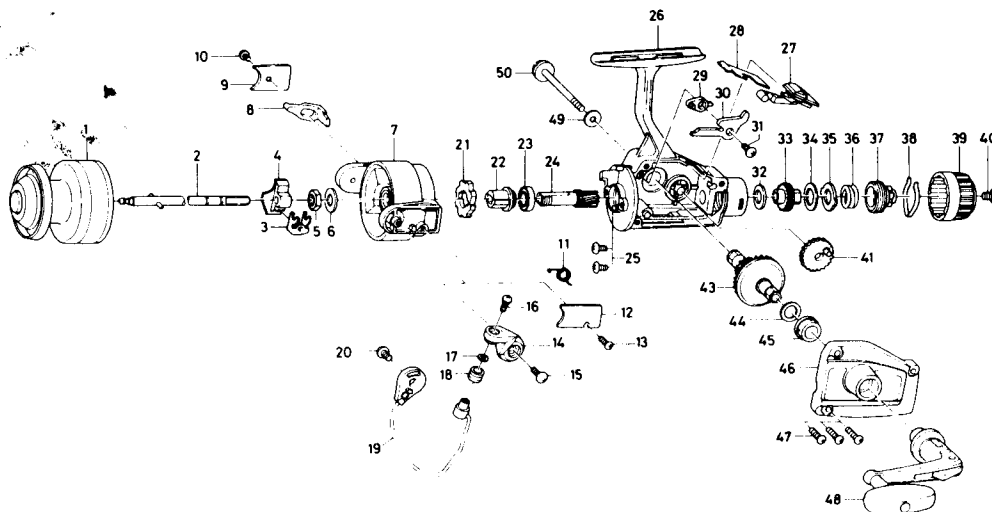


SPINNING REEL TL1650/2050



Key No.	Parts No.	Parts Name	Key No.	Parts No.	Parts Name
1	B78-4610	Spool	31	351-6102	Anti-reverse pawl screw
2	B77-0801	Main shaft	32	B46-9505	Drag washer A
3	B93-7202	Oscillating slider retainer	33	B76-9804	Click gear
4	B77-0701	Oscillating slider	34	B78-6602	Drag washer B
5	341-9201	Rotor nut	35	373-3601	Eared washer
6	B72-5401	Rotor washer	36	B91-3701	Drag coil spring
7	B77-3607	Rotor	37	B77-0003	Drag screw
8	B77-3702	Bail trip lever	38	B77-0301	Drag washer spring
9	B76-9701	Bail trip cover	39	B77-0401	Drag knob
10	352-0402	Bail trip cover screw	40	352-1103	Drag knob spring screw
11	B18-7702	Bail spring	41	B74-3701	Oscillating gear
12	B77-2203	Bail spring cover	43	B82-2701	Drive gear
13	352-0402	Bail spring cover screw	44	373-7800	Drive gear washer
14	B76-0201	Bail arm	45	B12-9002	Bearing
15	351-6102	Bail arm screw	46	K08-7501	Side cover
16	B67-9301	Line roller screw	47	351-5904	Side cover screw
17	B55-4301	Line roller washer	48	B93-4201	Handle
18	250-3921	Line roller	49	B78-8501	Handle lock washer
19	B77-3801	Bail	50	B11-5803	Handle lock screw
20	351-6102	Bail trip cam screw			
21	B77-2101	Anti-reverse ratchet			
22	B93-4001	Pinion spacer			
23	634-1301	Ball bearing			
24	B82-6501	Pinion gear			
25	351-7703	Ball bearing screw			
26	K08-7401	Body			
27	B84-8901	Anti-reverse lever			
28	B79-0101	Anti-reverse cam spring			
29	B76-8501	Anti-reverse pawl plate			
30	B76-8601	Anti-reverse pawl			

TL 2050 Special Parts		
1	B78-4410	Spool
2	B77-2008	Rotor
8	B76-9602	Bail trip lever
19	B77-2301	Bail
26	K08-7402	Body
46	K08-7502	Side cover
48	B93-4501	Handle