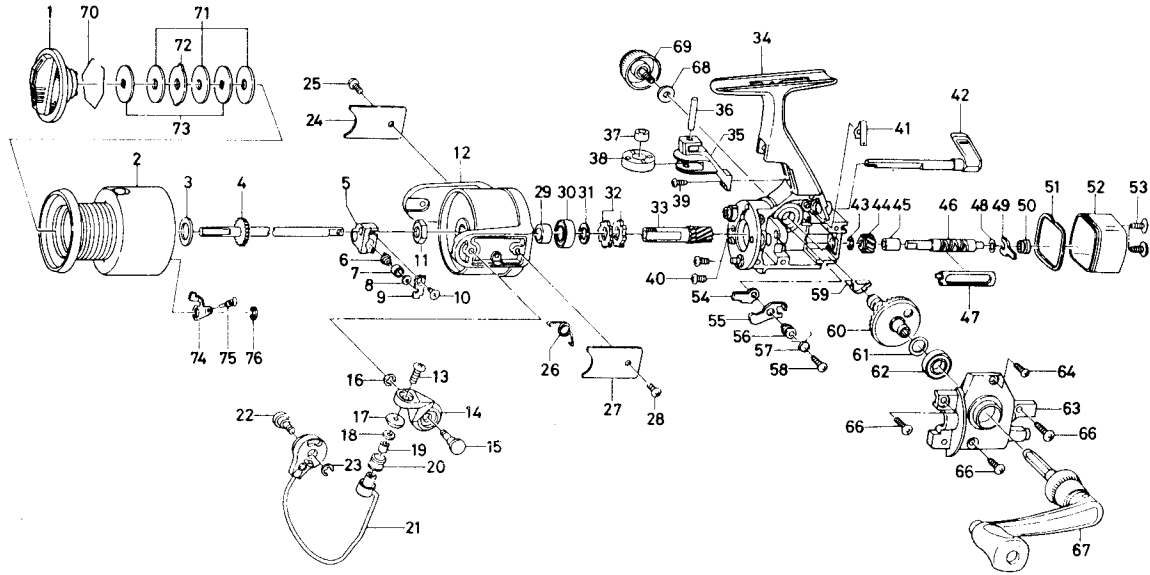


SPINNING REEL TG700H



Key No.	Parts No.	Parts Name
1	E29-8102	Drag knob
2	E29-7702	Spool assembly
3	E13-5901	Spool washer
4	E29-7501	Main shaft assembly
5	E29-6201	Oscillating slider
6	E12-2401	Oscillating pawl
7	E12-4601	Oscillating pawl bush
8	375-0800	Oscillating pawl washer
9	E11-6801	Oscillating slider cover
10	E15-0202	Oscillating slider cover screw
11	341-9201	Rotor nut
12	E13-0604	Rotor
13	B67-9302	Line roller screw
14	B73-1501	Bail arm
15	E11-6101	Bail arm screw
16	320-5901	Bail arm screw retainer
17	B45-1501	Line roller collar
18	B55-4301	Line roller washer
19	B97-9801	Line roller bushing
20	250-3921	Line roller
21	E31-3301	Bail
22	E22-5501	Bail trip cam screw
23	320-5901	Bail trip cam screw retainer
24	E13-0301	Bail trip cover
25	B93-3001	Bail trip cover screw
26	E13-0701	Bail spring
27	E13-0301	Bail spring cover
28	B93-3001	Bail spring cover screw
29	E29-7401	Spacing sleeve
30	634-1301	Ball bearing A
31	E29-6101	Ball bearing retaining washer
32	E27-1501	Anti-reverse ratchet
33	F00-5301	Pinion gear
34	E31-2902	Body
35	E12-9402	Bail kick knock
36	E11-4801	Bail kick roller pin
37	E11-4701	Bail kick roller collar
38	E11-4604	Bail kick roller

Key No.	Parts No.	Parts Name
39	E02-7401	Bail kick knock screw
40	E10-7401	Bearing retainer screw
41	E26-8701	Anti-reverse cam spring
42	E29-5902	Anti-reverse lever
43	B33-9801	Worm shaft gear retainer
44	F00-5401	Worm shaft gear
45	E29-6501	Worm shaft bush
46	E29-6401	Worm shaft
47	E29-6301	Worm shield cover
48	373-1300	Worm shaft washer
49	E29-6701	Worm shaft retainer
50	E29-6601	Worm shaft collar
51	E29-7301	Water shield
52	E29-7102	Rear cover
53	E24-7401	Rear cover screw
54	B95-9301	Anti-reverse pawl plate
55	E27-1301	Anti-reverse pawl
56	B95-9501	Anti-reverse pawl collar
57	B95-9602	Anti-reverse pawl spring A
58	B00-8601	Anti-reverse pawl screw
59	E29-6901	Anti-reverse pawl spring B
60	E34-1501	Drive gear
61	375-8500	Drive gear washer
62	634-1300	Ball bearing B
63	E29-7002	Left side cover
64	E11-9602	Side cover screw A
66	E13-0501	Side cover screw B
67	E31-3101	Handle assembly
68	B92-4902	Handle lock washer
69	E31-1401	Handle lock screw
70	171-7701	Drag washer retainer
71	E13-6001	Drag washer
72	E13-6201	Eared washer
73	E13-6101	Key washer
74	E13-2102	Click pawl
75	B61-8801	Click spring
76	320-5901	Click retainer