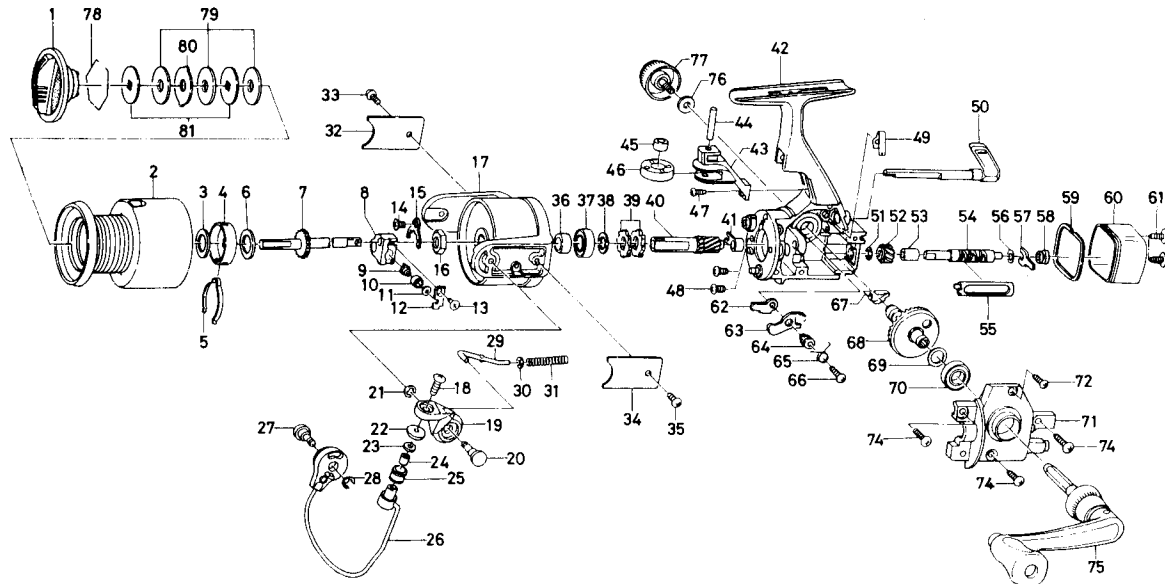


# SPINNING REEL TG1300H



| Key No. | Parts No. | Parts Name                     | Key No. | Parts No. | Parts Name                 |
|---------|-----------|--------------------------------|---------|-----------|----------------------------|
| 1       | E27-2802  | Drag knob                      | 41      | E24-3301  | Pinion holder              |
| 2       | E27-2202  | Spool assembly                 | 42      | E31-2502  | Body                       |
| 3       | E13-5901  | Spool washer                   | 43      | E11-4502  | Bail kick knock            |
| 4       | E12-2303  | Click leaf spring holder       | 44      | E11-4801  | Bail kick roller pin       |
| 5       | B74-7702  | Spool click leaf spring        | 45      | E11-4701  | Bail kick roller collar    |
| 6       | 375-4200  | Main shaft washer              | 46      | E11-4604  | Bail kick roller           |
| 7       | E27-1801  | Main shaft assembly            | 47      | E02-7401  | Bail kick knock screw      |
| 8       | E24-4401  | Oscillating slider             | 48      | E03-7801  | Bearing retainer screw     |
| 9       | E19-1201  | Oscillating pawl               | 49      | E26-8701  | Anti-reverse cam spring    |
| 10      | E19-1301  | Oscillating pawl bush          | 50      | E24-3403  | Anti-reverse lever         |
| 11      | 375-0800  | Oscillating pawl washer        | 51      | B33-9801  | Worm shaft gear retainer   |
| 12      | E24-4901  | Oscillating slider cover       | 52      | F00-5601  | Worm shaft gear            |
| 13      | E15-0202  | Oscillating slider cover screw | 53      | E19-0901  | Worm shaft bush            |
| 14      | 351-1804  | Rotor nut holding plate screw  | 54      | E27-1601  | Worm shaft                 |
| 15      | B99-5101  | Rotor nut holding plate        | 55      | E24-4501  | Worm shield cover          |
| 16      | 341-9201  | Rotor nut                      | 56      | 373-1300  | Worm shaft washer          |
| 17      | E11-3804  | Rotor                          | 57      | E24-5101  | Worm shaft retiner         |
| 18      | B67-9302  | Line roller screw              | 58      | E19-1101  | Worm shaft collar          |
| 19      | B68-1104  | Bail arm                       | 59      | E30-3801  | Water shield               |
| 20      | E11-6101  | Bail arm screw                 | 60      | E24-7304  | Rear cover                 |
| 21      | 320-5901  | Bail arm screw retainer        | 61      | E24-7401  | Rear cover screw           |
| 22      | B97-9801  | Line roller collar             | 62      | B95-9301  | Anti-reverse pawl plate    |
| 23      | B55-4301  | Line roller washer             | 63      | E27-1301  | Anti-reverse pawl          |
| 24      | B45-1501  | Line roller bushing            | 64      | B95-9501  | Anti-reverse pawl collar   |
| 25      | 250-3921  | Line roller                    | 65      | B95-9602  | Anti-reverse pawl spring A |
| 26      | E31-1601  | Bail                           | 66      | B00-8601  | Anti-reverse pawl screw    |
| 27      | E22-5501  | Bail trip cam screw            | 67      | E24-5301  | Anti-reverse pawl spring B |
| 28      | 320-5901  | Bail trip cam screw retainer   | 68      | F00-5701  | Drive gear                 |
| 29      | E11-5801  | Bail spring shaft              | 69      | 375-8500  | Drive gear washer          |
| 30      | E11-5901  | Bail spring washer             | 70      | 634-1300  | Ball bearing B             |
| 31      | E11-6001  | Bail spring                    | 71      | E24-5403  | Left side cover            |
| 32      | E11-6201  | Bail trip cover                | 72      | E11-9602  | Side cover screw A         |
| 33      | B93-3001  | Bail trip cover screw          | 74      | E15-8602  | Side cover screw B         |
| 34      | E11-6201  | Bail spring cover              | 75      | E31-1201  | Handle assembly            |
| 35      | B93-3001  | Bail spring cover screw        | 76      | B92-4902  | Handle lock washer         |
| 36      | E27-1701  | Spacing sleeve                 | 77      | E31-1401  | Handle lock screw          |
| 37      | 636-6401  | Ball bearing A                 | 78      | 171-7701  | Drag washer retainer       |
| 38      | B99-4501  | Ball bearing retaining washer  | 79      | E13-6001  | Drag washer                |
| 39      | E27-1501  | Anti-reverse ratchet           | 80      | E13-6201  | Eared washer               |
| 40      | F00-5501  | Pinion gear                    | 81      | E13-6101  | Key washer                 |