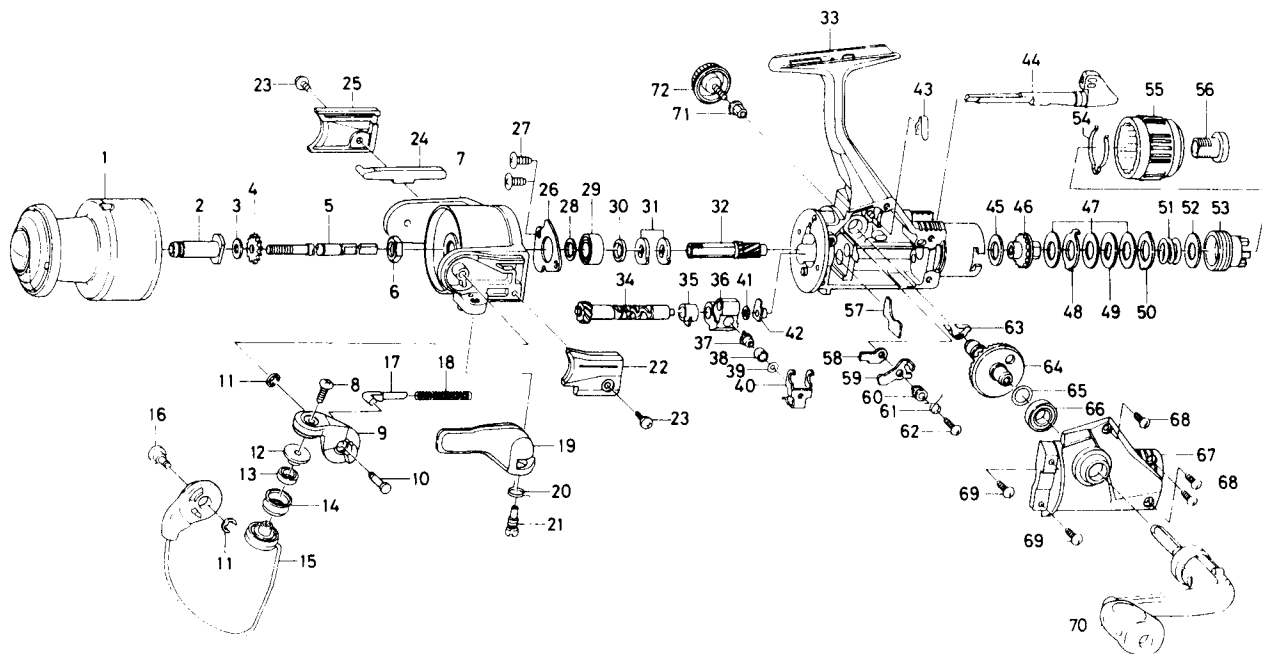


SPINNING REEL — TD755H



Key

No.	Part No.	Part Name	Price
1	F07-4202	Spool assembly	16.00
2	F07-4601	Spool metal	1.90
3	375-3002	Spool washer	.45
4	E13-1201	Main shaft washer	.95
5	F07-3201	Main shaft	3.00
6	341-9201	Rotor nut	.55
7	E37-3203	Rotor	5.80
8	B67-9305	Line roller screw	.45
9	F11-0001	Bail arm	1.90
10	E37-3401	Bail arm screw	1.00
11	320-5901	Bail arm screw retainer	.50
12	F06-6301	Line roller collar	1.50
13	F05-5601	Ball bearing A	9.50
14	F05-8901	Line roller	2.75
15	E49-3301	Bail assembly	9.15
16	E38-3101	Bail trip cam screw	1.10
17	E36-8201	Bail spring shaft	.70
18	E51-4401	Ball spring	.70
19	E49-3401	Trigger lever	2.90
20	E36-9901	Trigger spring	.70
21	E37-0001	Trigger screw	2.10
22	E37-3502	Bail spring cover	1.65
23	E36-4201	Bail spring cover screw	.60
24	E36-8401	Bail trip lever	1.25
25	E36-8505	Bail trip cover	1.40
26	F05-7101	Bearing retainer	.55
27	E03-7801	Bearing retainer screw	.60
28	375-8503	Bearing washer	.70
29	634-1301	Ball bearing B	7.65
30	E29-6101	Spacing sleeve	.70
31	E36-9401	Anti-reverse ratchet	.70
32	F07-3101	Pinion gear	3.75
33	F11-1001	Body assembly	19.60
34	F07-2701	Worm shaft	7.50
35	F07-3001	Worm shaft bush	.70
36	F07-2601	Oscillating slider	3.20

Key

No.	Part No.	Part Name	Price
37	E12-2403	Oscillating pawl	5.90
38	E12-4601	Oscillating pawl bush	2.10
39	375-0800	Oscillating pawl washer	.50
40	F07-3301	Oscillating slider cover	1.40
41	B53-6100	Worm shaft washer	.60
42	F05-6901	Worm shaft collar	.95
43	E26-8701	Anti-reverse cam spring	.60
44	F07-2401	Anti-reverse lever	2.95
45	B48-9902	Drag washer A	.45
46	F07-3701	Click gear	2.10
47	B49-0202	Drag washer B	.60
48	B63-8301	Eared washer A	.45
49	B49-0301	Key washer	.45
50	B49-0102	Eared washer B	.40
51	B92-6703	Drag coil spring	.55
52	372-7601	Drag screw washer	.55
53	F07-6301	Drag screw	2.60
54	B74-7702	Drag washer spring	.45
55	F07-6401	Drag knob	3.00
56	F05-7801	Drag knob screw	1.45
57	F08-7201	Shield plate	.50
58	B95-9301	Anti-reverse pawl plate	.70
59	E27-1301	Anti-reverse pawl	1.15
60	B95-9501	Anti-reverse pawl collar	.95
61	B95-9602	Anti-reverse pawl spring A	.60
62	B00-8601	Anti-reverse pawl screw	.35
63	E29-6902	Anti-reverse pawl spring B	1.40
64	E34-1501	Drive gear	3.20
65	375-8501	Drive gear washer	.45
66	634-1301	Ball bearing B	7.65
67	F11-1101	Side cover	8.75
68	E13-0502	Side cover screw A	.80
69	E13-0501	Side cover screw B	.60
70	F02-0401	Handle assembly	11.90
71	501-8501	Handle collar	.70
72	F03-5602	Handle lock screw	1.65