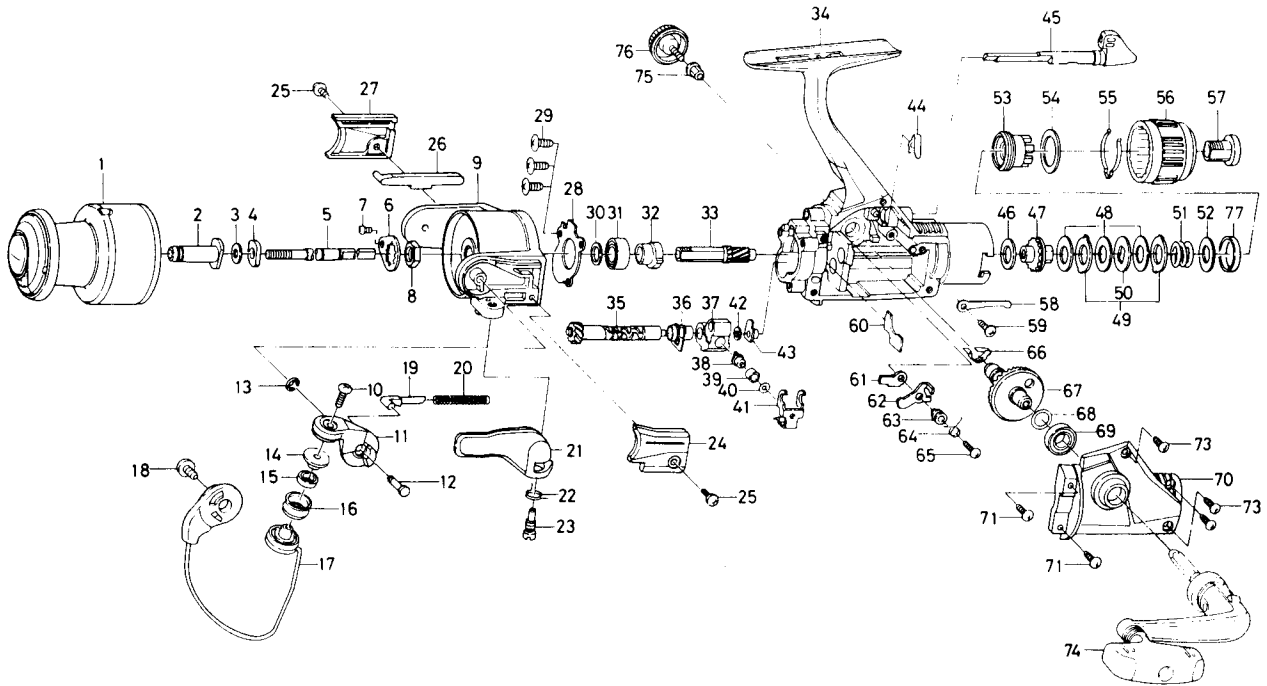


SPINNING REEL — TD1655H



Key				Key			
No.	Part No.	Part Name	Price	No.	Part No.	Part Name	Price
1	F10-3802	Spool assembly	18.00	39	E19-1301	Oscillating pawl bush	3.10
2	E48-4001	Spool metal	2.80	40	375-0800	Oscillating pawl washer	.50
3	375-3002	Spool washer	.45	41	F10-5201	Oscillating slider cover	1.40
4	E18-8801	Main shaft washer	.95	42	B53-6100	Worm shaft washer	.60
5	E48-3001	Main shaft	3.70	43	F05-6901	Worm shaft collar	.95
6	B66-2601	Rotor nut holding plate	1.10	44	E26-8701	Anti-reverse cam spring	.60
7	B93-3001	Rotor nut holding plate screw	.45	45	F05-9904	Anti-reverse lever	3.40
8	B10-5701	Rotor nut	.65	46	B46-9505	Drag washer A	.45
9	F11-0401	Rotor	6.75	47	E48-3201	Click gear	1.70
10	B67-9305	Line roller screw	.45	48	E14-3301	Drag washer B	.65
11	F06-3901	Bail arm	1.45	49	B83-9501	Eared washer	.55
12	E36-9601	Bail arm screw	1.40	50	E02-4401	Key washer	.60
13	320-5901	Bail arm screw retainer	.50	51	B98-2901	Drag coil spring	.70
14	F06-6301	Line roller collar	1.50	52	B27-0703	Drag screw washer A	.60
15	F05-5601	Ball bearing A	9.25	53	E48-3301	Drag screw	2.95
16	F05-8901	Line roller	2.75	54	F12-0601	Drag screw washer B	.90
17	F10-8701	Bail assembly	9.30	55	F13-6701	Drag washer spring	.70
18	E00-7102	Bail trip cam screw	.45	56	F10-3701	Drag knob	3.95
19	E36-4401	Bail spring shaft	.70	57	F05-7801	Drag knob screw	1.45
20	E51-4401	Bail spring	.70	58	E48-3101	Click leaf spring	1.15
21	F06-4001	Trigger lever	3.50	59	E36-4202	Click leaf spring screw	.60
22	E36-9901	Trigger spring	.70	60	E48-2801	Shield plate	.70
23	E37-0001	Trigger screw	2.10	61	B96-5301	Anti-reverse pawl plate	.75
24	F01-1702	Bail spring cover	1.65	62	E27-7002	Anti-reverse pawl	1.10
25	E36-4201	Bail spring cover screw	.60	63	B96-5501	Anti-reverse pawl collar	.95
26	F01-1601	Bail trip lever	1.65	64	B96-5601	Anti-reverse pawl spring A	.70
27	E37-8206	Bail trip cover	1.90	65	B00-9701	Anti-reverse pawl screw	.45
28	E48-2901	Bearing retainer	.70	66	E37-7201	Anti-reverse pawl spring B	1.65
29	E03-7801	Bearing retainer screw	.60	67	E37-7101	Drive gear	3.75
30	371-2827	Bearing washer	.60	68	373-7803	Drive gear washer	.40
31	B54-6001	Ball bearing B	7.70	69	631-6901	Ball bearing C	6.85
32	E40-1001	Anti-reverse ratchet	1.10	70	F10-8601	Side cover	9.05
33	E49-1701	Pinion gear	6.75	71	E15-8602	Side cover screw A	.60
34	F10-8501	Body assembly	21.60	73	E15-8601	Side cover screw B	.60
35	F11-0301	Worm shaft	8.50	74	E38-7101	Handle assembly	13.10
36	E48-2701	Worm shaft bush	.95	75	E12-7501	Handle collar	.90
37	F10-5101	Oscillating slider	3.20	76	F03-5602	Handle lock screw	1.65
18 38	E19-1202	Oscillating pawl	5.90	77	F15-6501	Drag screw collar	1.10