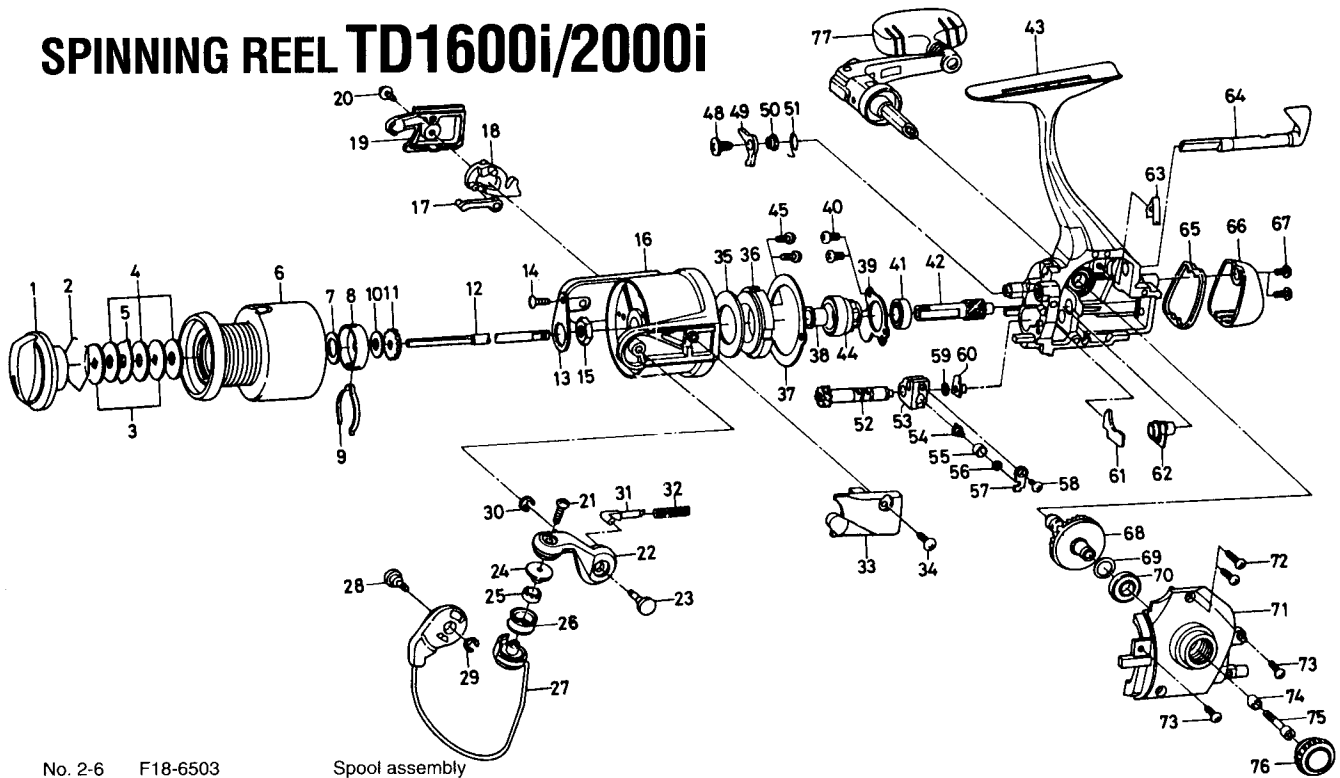


SPINNING REEL TD1600i/2000i



No. 2-6 F18-6503

Spool assembly

Key NO.

Key NO.	Parts No.	Parts Name
1	F20-4602	Drag knob
2	170-4101	Drag washer retainer
3	E27-7801	Key washer
4	B36-0204	Drag washer
5	372-3832	Eared washer
6	F18-6603	Spool assembly
7	E39-7901	Spool washer
8	E12-2302	Click leaf spring holder
9	B74-7702	Spool click leaf spring
10	375-4202	Main shaft washer
11	E41-3101	Click gear
12	F1B-5801	Main shaft assembly
13	F18-9601	Rotor nut holding plate
14	E24-8101	Rotor nut holding plate screw
15	B10-5701	Rotor nut
16	F22-8202	Rotor
17	F08-0701	Bail trip plate
18	F01-4401	Bail trip lever
19	F18-2804	Bail trip cover
20	E36-4201	Bail trip cover screw
21	B67-9305	Line roller screw
22	F17-6505	Bail arm
23	F15-2501	Bail arm screw
24	F06-6301	Line roller collar
25	F05-5601	Ball bearing A
26	F05-8901	Line roller
27	F18-6101	Bail assembly
28	F15-2501	Bail trip cam screw
29	320-5901	Bail trip cam screw retainer
30	320-5901	Bail arm screw retainer
31	F24-6801	Bail spring shaft
32	E39-0601	Sail spring
33	F18-2504	Bail spring cover
34	E36-4201	Bail spring cover screw
35	F19-7301	Oiled washer
36	F18-2901	Roller clutch
37	F18-3001	Roller clutch retainer
38	F18-1301	Spacing sleeve
39	F18-1201	Bearing retainer
40	B83-4402	Bearing retainer screw
41	635-4801	Ball bearing B

Key NO.

Key NO.	Parts No.	Parts Name
42	F26-5101	Pinion gear
43	F26-5001	Body assembly
44	F18-1401	Anti-reverse ratchet
45	E15-7502	Roller clutch screw
48	L00-1801	Anti-reverse pawl screw
49	F18-1801	Anti-reverse pawl
50	F18-1701	Anti-reverse pawl collar
51	F18-1901	Anti-reverse pawl spring
52	F26-8101	Worm shaft
53	E37-6301	Oscillating slider
54	E19-1202	Oscillating pawl
55	E19-1301	Oscillating pawl bush
56	375-0800	Oscillating pawl washer
57	E37-6901	Oscillating slider cover
58	E40-1501	Oscillating slider cover screw
59	B53-6100	Worm shaft washer
60	F05-6901	Worm shaft collar
61	E48-2801	Shield plate
62	E48-2701	Pinion collar
63	E26-8701	Anti-reverse cam spring
64	F18-1003	Anti-reverse lever
65	F18-3403	Water shield
66	F18-3503	Rear cover
67	E24-8102	Rear cover screw
68	E41-8602	Drive gear
69	373-7800	Drive gear washer
70	E15-4001	Ball bearing C
71	F18-2303	Side cover
72	E15-8601	Side cover screw A
73	E15-7502	Side cover screw B
74	F30-3701	Handle collar
75	F30-3701	Handle screw
76	F18-3902	Handle screw cap
77	F26-5701	Handle assembly

TD20001 SPECIAL PARTS

2-6	F18-6803	Spool assembly
6	F18-6903	Spool assembly
16	F22-8302	Rotor
27	F18-6201	Bail assembly