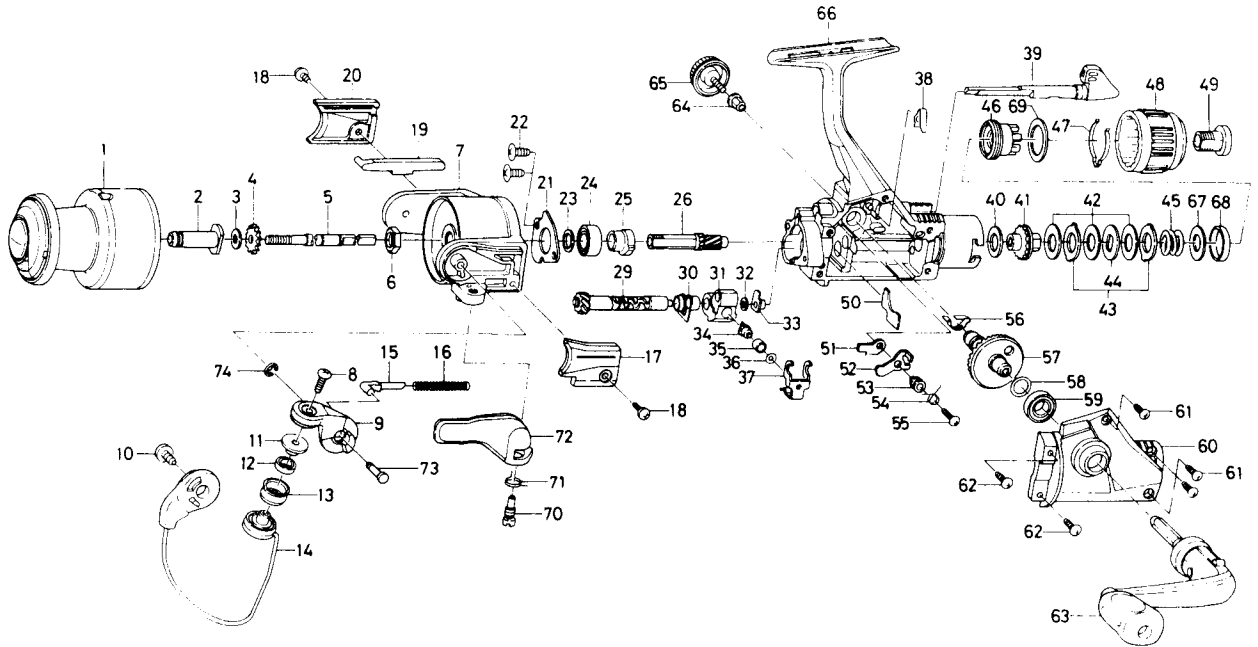


SPINNING REEL — TD1355H



Key

Key No.	Part No.	Part Name	Price
1	F05-7902	Spool assembly	17.00
2	F05-8101	Spool metal	2.10
3	374-6400	Spool washer	.40
4	E13-1201	Main shaft washer	.95
5	F05-7201	Main shaft	2.80
6	341-9201	Rotor nut	.55
7	F07-6101	Rotor	6.40
8	B67-9305	Line roller screw	.45
9	F06-3901	Bail arm	1.45
10	E00-7102	Bail trip cam screw	.45
11	F06-6301	Line roller collar	1.50
12	F05-5601	Ball bearing A	9.50
13	F05-8901	Line roller	2.75
14	F06-4101	Bail assembly	9.30
15	E36-4401	Bail spring shaft	.70
16	E39-0601	Bail spring	.60
17	E36-9702	Bail spring cover	1.65
18	E36-4201	Bail spring cover screw	.60
19	E36-5001	Bail trip lever	1.40
20	E36-5105	Bail trip cover	1.40
21	F05-7101	Bearing retainer	.55
22	E03-7801	Bearing retainer screw	.60
23	375-8503	Bearing washer	.70
24	L03-6601	Ball bearing B	7.10
25	F03-7501	Anti-reverse ratchet	1.10
26	E36-9201	Pinion gear	7.00
29	F05-6501	Worm shaft	8.30
30	F08-7101	Worm shaft bush	.95
31	F05-6401	Oscillating slider	3.20
32	B53-6100	Worm shaft washer	.60
33	F05-6901	Worm shaft collar	.95
34	E19-1202	Oscillating pawl	5.90
35	E19-1301	Oscillating pawl bush	3.10
36	375-0800	Oscillating pawl washer	.50
37	F05-7301	Oscillating slider cover	1.40
38	E26-8701	Anti-reverse cam spring	.60

Key

Key No.	Part No.	Part Name	Price
39	F05-9901	Anti-reverse lever	3.20
40	B48-9904	Drag washer A	.45
41	F09-6501	Click gear	1.40
42	B49-0202	Drag washer B	.60
43	B49-0102	Eared washer	.40
44	B49-0301	Key washer	.45
45	F06-2301	Drag coil spring	.95
46	F05-7501	Drag screw	3.20
47	F05-9701	Drag washer spring	.70
48	F06-3101	Drag knob	3.70
49	F05-7801	Drag knob screw	1.45
50	F08-7201	Shield plate	.50
51	B95-9301	Anti-reverse pawl plate	.70
52	E27-1301	Anti-reverse pawl	1.15
53	B95-9501	Anti-reverse pawl collar	.95
54	B95-9602	Anti-reverse pawl spring A	.60
55	B00-8601	Anti-reverse pawl screw	.35
56	E24-5301	Anti-reverse pawl spring B	1.60
57	F00-5701	Drive gear	3.50
58	375-8501	Drive gear washer	.45
59	634-1301	Ball bearing C	7.65
60	F06-3801	Side cover	8.90
61	E15-8601	Side cover screw A	.60
62	E15-8602	Side cover screw B	.60
63	F02-0101	Handle assembly	13.00
64	501-8501	Handle collar	.70
65	F03-5602	Handle lock screw	1.65
66	F06-3701	Body assembly	20.50
67	372-7601	Drag screw washer A	.55
68	F12-4401	Drag screw collar	.70
69	E49-5001	Drag screw washer B	.70
70	E37-0001	Trigger screw	2.10
71	E36-9901	Trigger spring	.70
72	F06-4001	Trigger lever	3.50
73	E36-9601	Bail arm screw	1.40
74	320-5901	Bail arm screw retainer	.50