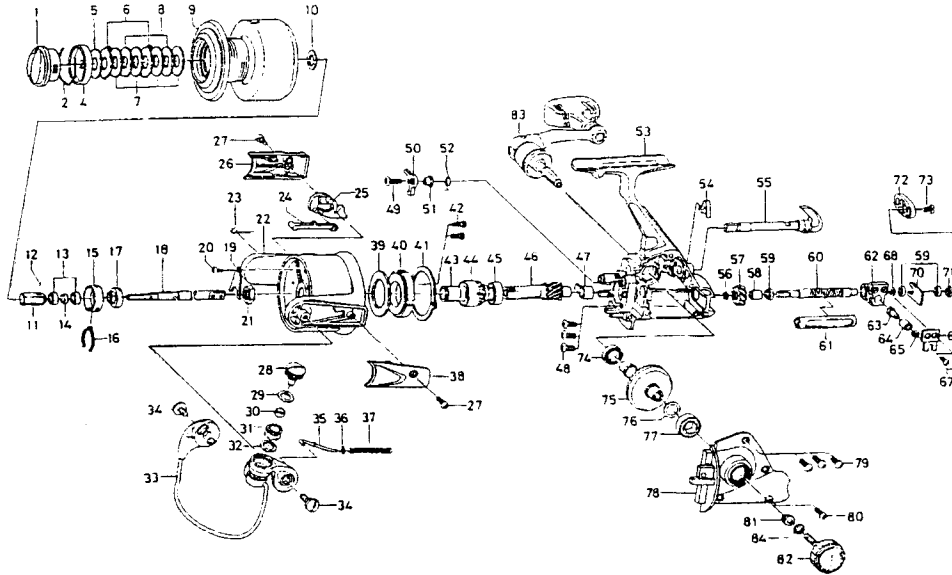


TEAM DAIWA-X5000HIAU



Key No.	Parts No.	Parts Name
2-9	F75-5001	SPOOL
1	F66-2001	DRAG KNOB
2	F71-0001	DRAG WASHER RET
4	F75-6001	DRAG KNOB CLICK PLT
5	F75-5801	DRAG WASHER A
6	F75-5701	EARED WASHER
7	F75-5501	DRAG WASHER B
8	F75-5601	KEY WASHER
10	F13-7501	SPOOL WASHER
11	F23-5701	SHAFT METAL
12	F23-5801	SHAFT METAL SCREW
13	B35-8601	BALL BEARING A
14	F23-5601	BALL BEARING COLLAR A
15	E12-2301	CLICK LEAF SPRING HOLDER
16	B74-7701	SPOOL CLICK LEAF SPRING
17	F23-5501	SPOOL METAL
18	F51-2701	MAIN SHAFT
19	F18-9601	ROTOR NUT HOLD PLT
20	351-1001	ROTOR NUT HOLD PLT SCREW
21	B10-5702	ROTOR NUT
22	F31-5307	ROTOR
23	F29-6801	BAIL TRIP LEVER SPRING
24	F23-4102	BAIL TRIP PLT
25	F23-4202	BAIL TRIP LEVER
26	F23-4301	BAIL TRIP COVER
27	F29-9501	BAIL TRIP COVER SCREW
28	F23-4404	LINE ROLLER SCREW
29	373-2701	LINE ROLLER WASHER A
30	F60-2501	BALL BEARING B
31	F51-0001	LINE ROLLER
32	F44-6202	LINE ROLLER WASHER B
33	F51-6101	BAIL
34	F23-3901	BAIL HOLDER SCREW
35	E32-6701	BAIL SPRING SHAFT
36	E31-3901	BAIL SPRING WASHER
37	E39-5901	BAIL SPRING
38	F23-4001	BAIL SPRING COVER
39	F19-7303	ROLLER CLUTCH WASHER
40	F76-5401	ROLLER CLUTCH
41	F18-3001	BEARING RET
42	351-1101	BEARING RET SCREW

Key No.	Parts No.	Parts Name
43	F18-1301	SPACING SLEEVE
44	F18-1401	A/R RATCHET
45	635-4801	BALL BEARING C
46	F75-3701	PINION GEAR
47	E33-2101	PINION COLLAR
48	B51-5301	BALL BEARING SCREW
49	E45-4003	A/R PAWL SCREW
50	F18-1801	A/R PAWL
51	F18-1701	A/R PAWL COLLAR
52	F18-1901	A/R PAWL SPRING
53	F75-3601	BODY
54	E32-7801	A/R CAM SPRING
55	F23-7507	A/R LEVER
56	320-5901	WORM SHAFT GEAR RET
57	F75-3801	WORM SHAFT GEAR
58	E29-6501	WORM SHAFT COLLAR
59	E33-2501	BALL BEARING D
60	F23-2503	WORM SHAFT
61	F23-2402	WORM SHIELD
62	F23-2302	OSC SLIDER
63	E26-4101	OSC PAWL
64	E26-4201	OSC PAWL BUSH
65	375-0801	OSC PAWL WASHER
66	E26-4301	OSC SLIDER COVER
67	352-1502	OSC SLIDER COVER SCREW
68	B41-1701	OSC SLIDER WASHER
70	F23-2601	WORM SHAFT RET
71	F23-2701	BALL BEARING COLLAR B
72	F23-3301	REAR COVER
73	F01-3703	REAR COVER SCREW
74	E45-3901	BALL BEARING E
75	F75-3901	DRIVE GEAR
76	371-2824	DRIVE GEAR WASHER
77	635-4801	BALL BEARING F
78	F23-3206	SIDE COVER
79	351-5901	SIDE COVER SCREW A
80	351-7801	SIDE COVER SCREW B
81	F40-9001	HANDLE COLLAR
82	F75-4901	HANDLE SCREW
83	F78-9401	HANDLE
84	160-8001	HANDLE WASHER