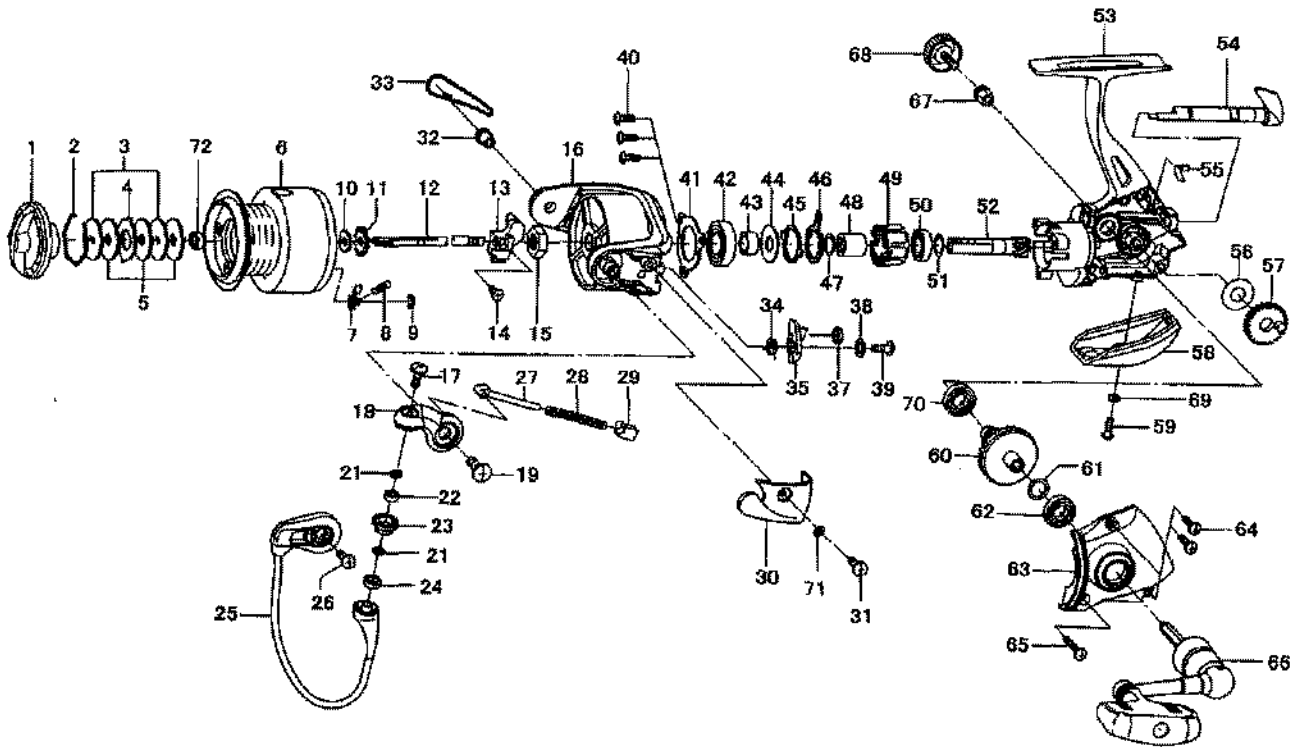


TEAM DAIWA ADVANTAGE 2500



Key No.	Parts No.	Parts Name
1	G44-7101	DRAG KNOB
2	F37-3301	DRAG WASHER RET
3	E46-7201	KEY WASHER
4	373-3603	EARED WASHER
5	E13-6001	DRAG WASHER
2-9	G45-2101	SPOOL/ EXTRA SPOOL
7	B07-5304	CLICK PAWL
8	G36-6501	CLICK SPRING
9	320-5901	CLICK RET
10	E46-7101	SPOOL WASHER
11	F81-1501	CLICK GEAR
12	G29-1501	MAIN SHAFT
13	G01-6501	OSC SLIDER
14	351-0315	OSC SLIDER SCREW
15	F33-6102	ROTOR NUT
16	G19-4014	ROTOR
17	G19-5601	LINE ROLLER SCREW
18	G19-4506	BAIL ARM
19	G22-4901	BAIL ARM SCREW
21	F89-7101	LINE ROLLER SCREW
22	G28-1601	BALL BEARING A
23	F92-1601	LINE ROLLER
24	G04-7601	LINE ROLLER COLLAR
25	G51-4501	BAIL
26	351-6101	BAIL HOLDER SCREW
27	G01-7504	BAIL SPRING SHAFT
28	G01-7701	BAIL SPRING
29	G01-7401	BAIL SPRING HOLDER
30	G19-4606	BAIL SPRING COVER
31	G20-5102	BAIL SPRING COVER SCREW
32	G19-5101	BAIL HOLDER NUT
33	G45-0201	BAIL HOLDER COVER
34	G19-4101	BAIL TRIP LEVER SPRING
35	G26-5401	BAIL TRIP LEVER
37	G19-4301	BRAKE SHOE

Key No.	Parts No.	Parts Name
38	375-3008	BAIL TRIP LEVER WASHER
39	G19-3701	BAIL TRIP LEVER SCREW
40	G33-2701	BEARING RET SCREW
41	G19-3601	BEARING RET
42	G47-2501	BALL BEARING B
43	G19-3501	BALL BEARING COLLAR
44	B27-5403	BALL BEARING WASHER
45	F62-2301	CLUTCH CAM RET
46	F62-2201	CLUTCH CAM
47	375-8502	CLUTCH CAM WASHER
48	F73-2501	SPACING SLEEVE
49	G22-0601	ROLLER CLUTCH
50	G27-9601	BALL BEARING C
51	375-8504	PINION WASHER
52	G29-1201	PINION GEAR
53	G44-6601	BODY
54	G19-3113	A/R LEVER
55	G19-3301	A/R CAM SPRING
56	F76-7700	OSC GEAR WASHER
57	F67-7401	OSC GEAR
58	G19-3905	REAR COVER
59	G40-0102	REAR COVER SCREW
60	G01-6601	DRIVE GEAR
61	375-8500	DRIVE GEAR WASHER
62	637-5702	BALL BEARING D
63	G19-3809	SIDE COVER
64	G33-2903	SIDE COVER SCREW A
65	G33-3003	SIDE COVER SCREW B
66	G44-6701	HANDLE
67	F72-1001	HANDLE COLLAR
68	F67-6510	HANDLE SCREW
69	G25-6401	REAR COVER WASHER
70	F01-6401	BALL BEARING E
71	G25-6401	BAIL SPRING COVER WASHER
72	G33-4001	BALL BEARING F