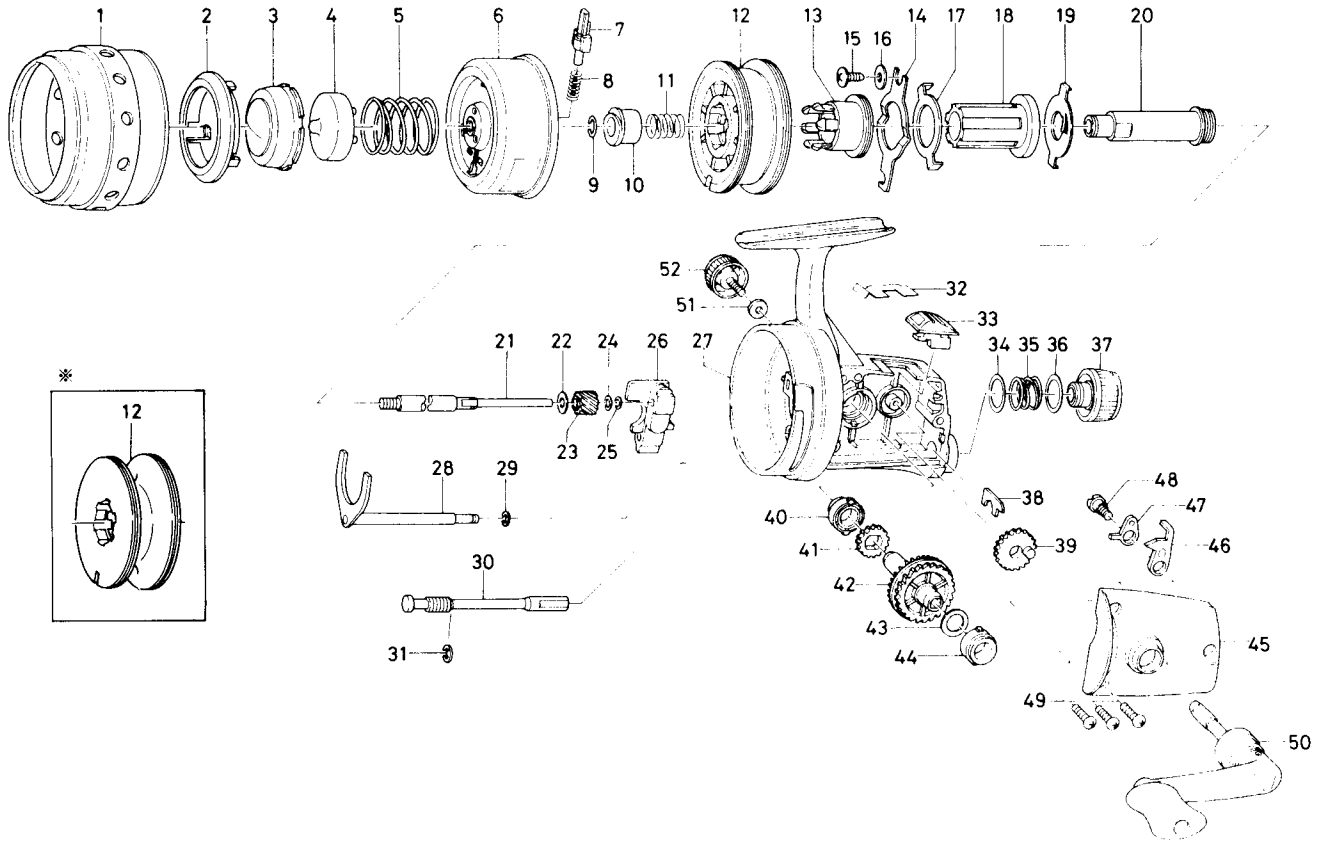


SYNCHROMATIC 125M



Key No.	Parts No.	Parts Name
1	E09-0902	Front cover
2	E08-0101	Push cap collar
3	E08-0001	Push cap
4	E07-9901	Push cap plate
5	E07-9801	Push cap spring
6	E07-9301	Rotor assembly
7	E07-9601	Pick-up pin
8	142-5111	Pick-up pin spring
9	E07-8901	Shaft metal collar ring
10	E07-8801	Shaft metal collar
11	E07-8701	Shaft metal spring
12	E08-0501	Spool assembly
13	E07-7601	Spool oscillation collar
14	E07-7401	Drag adjusting plate
15	E00-7101	Drag adjusting plate screw
16	376-1801	Drag adjusting plate washer
17	E07-7301	Drag washer A
18	E07-7201	Drag washer holder
19	E07-7101	Drag washer B
20	E07-7001	Shaft metal
21	E07-8001	Main shaft
22	375-1503	Pinion washer A
23	E07-8101	Pinion gear
24	E09-6500	Pinion washer B
25	320-1402	Oscillating slider retainer
26	E07-7501	Oscillating slider
27	E07-6101	Body
28	E07-7701	Oscillating plate
29	B33-9801	Oscillating plate retainer
30	E07-6901	Drag adjusting screw
31	320-1402	Drag adjusting screw retainer
32	B79-0101	Anti-reverse lever spring
33	E07-6301	Anti-reverse lever
34	B71-3802	Drag knob washer A
35	E08-8801	Drag knob spring
36	B64-3401	Drag knob washer B
37	B63-5201	Drag knob
38	E07-6801	Drag knob retainer
39	B74-2501	Oscillating gear
40	B84-3901	Bushing
41	E07-8201	Oscillating pinion gear
42	E07-8301	Drive gear
43	373-7800	Drive gear washer
44	B84-3901	Bushing
45	E07-8501	Side cover
46	E07-8401	Anti-reverse pawl
47	B50-1201	Anti-reverse pawl plate
48	E07-8601	Anti-reverse pawl screw
49	B83-5001	Side cover screw
50	E08-0201	Handle assembly
51	B92-4901	Handle lock washer
52	E00-1801	Handle lock screw