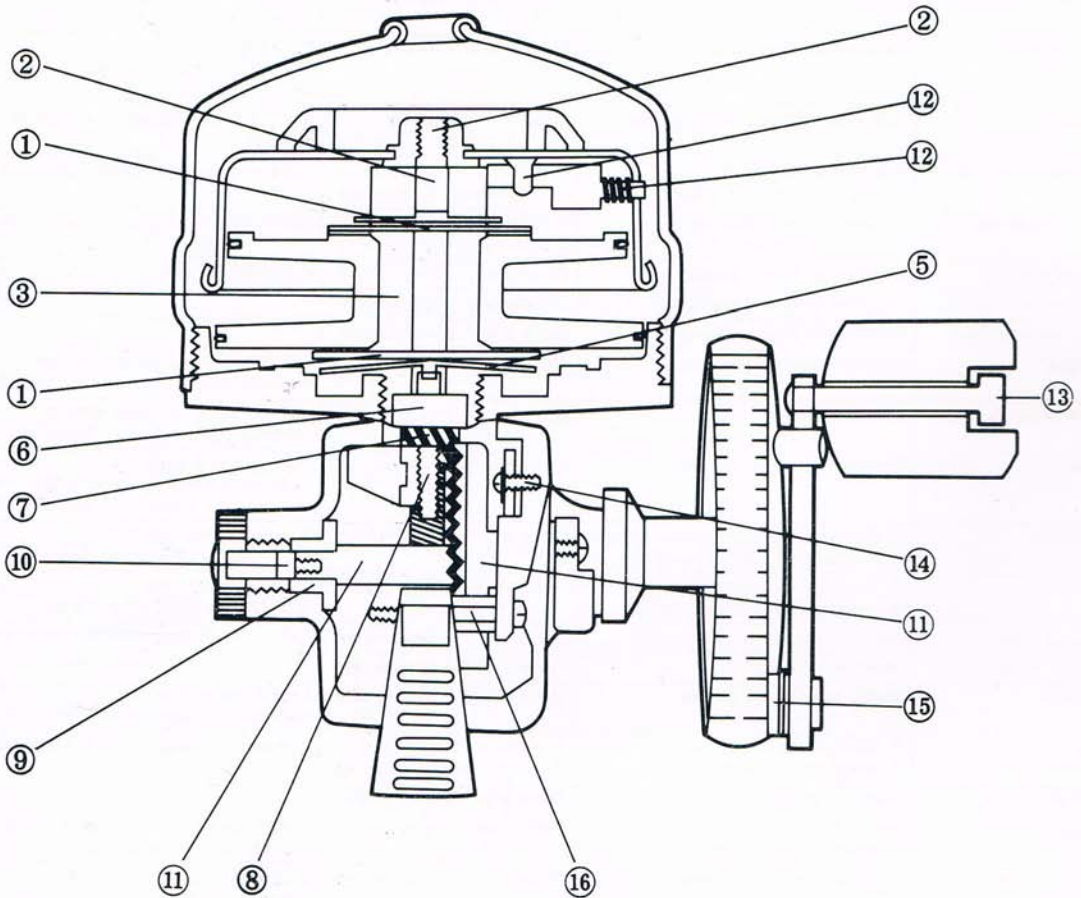


SPINCASTING REEL LUBRICATION

For Parts & Service
Call 1-888-404-1119
www.mikesrelrepair.com



● No.	● Part name	● Lubrication	● How often	● Key point care – maintenance
1	Spool washer	Light or medium grease	Once every 3 fshg mnths	Lubricate in appropriate amounts
2	Main shaft	Light or medium grease	Once every 3 fshg mnths	Lubricate all surfaces with an appropriate amount of lubrication
3	Shaft metal	Light or medium grease	Once every 3 fshg mnths	Lubricate all surfaces with an appropriate amount of lubrication
4	Main shaft	Light or medium grease	Once every 3 fshg mnths	Lubricate all surfaces with an appropriate amount of lubrication
5	Drag adjusting plate	Light or medium grease	Once every 3 fshg mnths	Lubricate all surfaces with an appropriate amount of lubrication
6	Ball bearing	Light or medium grease	Once every 3 fshg mnths	Lubricate all surfaces with an appropriate amount of lubrication
7	Pinion gear	Light or medium grease	Once every 3 fshg mnths	Lubricate all surfaces with an appropriate amount of lubrication
8	Drag adjusting screw	Light or medium grease	Once every 3 fshg mnths	Lubricate all surfaces with an appropriate amount of lubrication
9	Drive gear shaft holder	Light or medium grease	Once every 3 fshg mnths	All surfaces—left & right side
10	Handle screw	Light or medium grease	Once every 3 fshg mnths	
11	Drive gear	Light or medium grease	Once every 3 fshg mnths	Drive gear teeth & shaft. Lubricate all surfaces with an appropriate amount of lubrication
12	Rotor pick up pin & spring	Medium or heavy oil Light grease	Once every 3 fshg wks	Lubricate in appropriate amounts
13	Handle knob & shaft	Medium or heavy oil Light or medium grease	After each day fshg	Lubricate in appropriate amounts
14	A/R cam claw	Medium grease	Once every 3 fshg mnths	Do not disturb claw spring Lubricate in appropriate amounts
15	Handle spring	Medium or heavy oil	Once every 3 fshg wks	
16	Body cover screw (long)	Medium grease	Once every 3 fshg mnths	
	Line	Do not lubricate		After each day of saltwater fishing spool should be removed and rinsed with freshwater until all salt is washed away.