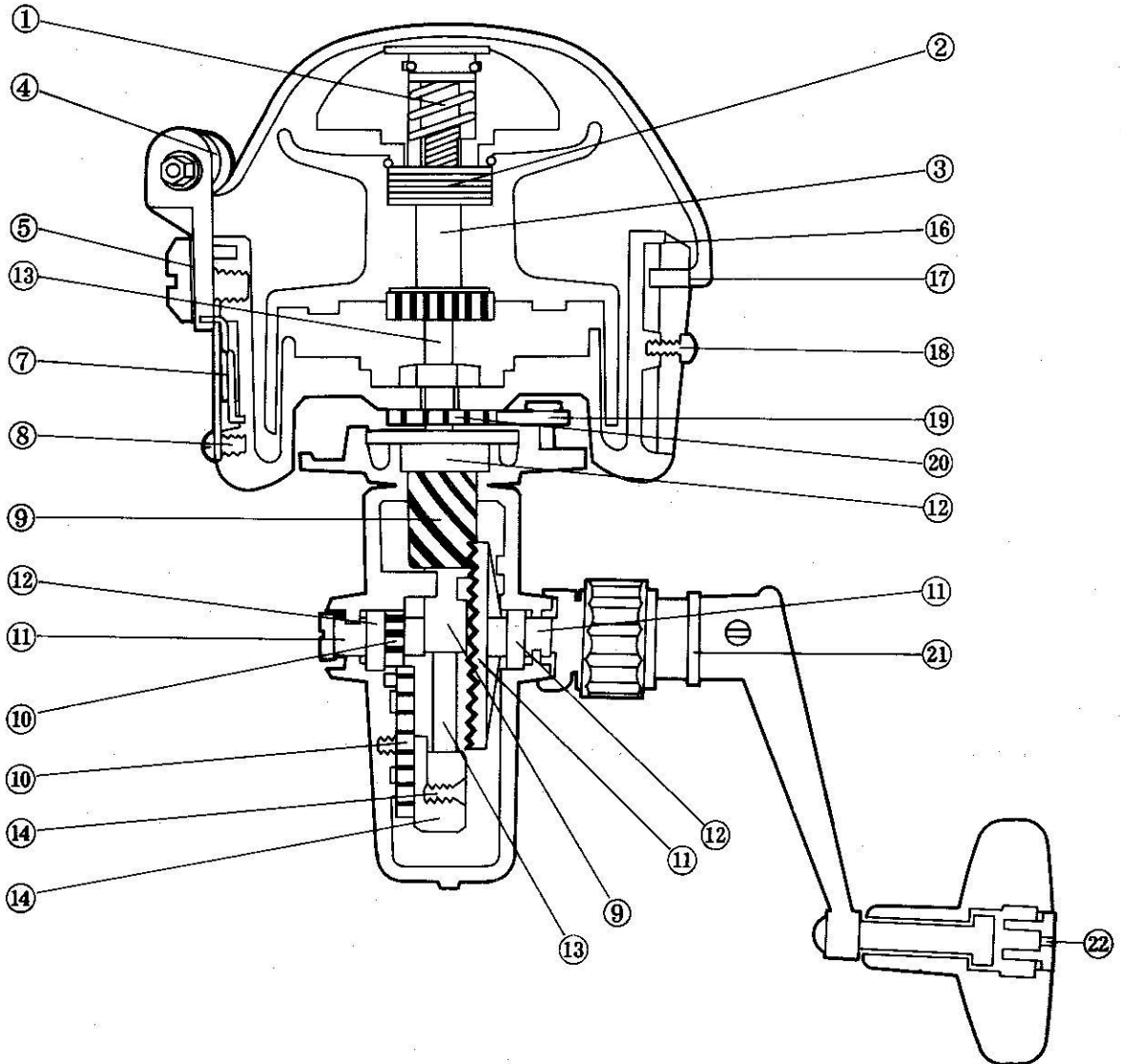


SPINNING REEL LUBRICATION

For Parts & Service
Call 1-888-404-1119
www.mikesrelrepair.com



● No.	● Part name	● Lubrication	● How often	● Key point care – maintenance
1	Drag knob	Medium or heavy grease	Once every 3 fshg wks	Do not over lubricate. Sequence of washers should not be changed.
2	Spool washer	Medium or heavy grease	Once every 3 fshg wks	Contains special teflon or graphite grease for better performance.
3	Main shaft	Light or medium heavy grease	After each day fshg	Make certain the spool washer is present
4	Line roller	1. Light or heavy oil 2. Light or medium grease	1. After each day fshg 2. Once every 3 fshg wks	Lubricate in appropriate amounts
5	Arm lever & screw	1. Medium or heavy oil 2. Light or medium heavy grease	1. After each day fshg 2. Once every 4 fshg wks	Lubricate in appropriate amounts
6	Arm lever screw	Medium or heavy grease	Once every 3 fshg mnths	Lubricate in appropriate amounts
7	Bail spring	Medium or heavy grease	Once every 3 fshg mnths	
8	Bail spg. cover screw	Medium or heavy grease	Once every 3 fshg mnths	
9	Pinion gear	Light or medium grease	Once every 3 fshg mnths	Lubricate all surfaces with an appropriate amount of lubrication
10	Osc. gear, Osc. pinion & screw	Medium grease	Once every 3 fshg mnths	Lubricate all surfaces with an appropriate amount of lubrication
11	Drive gear	Medium or heavy grease	Once every 3 fshg mnths	Gear teeth & shaft Lubricate all surfaces with an appropriate amount of lubrication
12	Ball bearing	1. Heavy oil or light grease 2. Medium or heavy grease	Once every 3 fshg mnths	1. Freshwater reel only 2. Saltwater reel, all surfaces
13	Main shaft	1. Medium or heavy oil 2. Light or medium grease	Once every 3 fshg mnths	1. Freshwater reel 2. Saltwater reel, all surfaces
14	Oscillating slider	Medium grease	Once every 3 fshg mnths	Lubricate in appropriate amounts
15	Osc. slider screw	Medium grease	Once every 3 fshg mnths	
16	Rotor ass'y	Medium or heavy grease	Once every 3 fshg mnths	Left & right side Lubricate in appropriate amounts
17	Bail ass'y	1. Medium or heavy oil 2. Medium or heavy grease	1. After each day fshg 2. Once every 3 fshg wks	Lubricate in appropriate amounts
18	Bail holder screw	Medium grease	Once every 3 fshg mnths	
19	A/R claw & screw	Heavy oil Medium or light grease	Once every 3 fshg mnths	Lubricate in appropriate amounts Do not alter claw spg. arrangement
20	Ratchet & screw	Light or medium grease	Once every 3 fshg mnths	Lubricate all surfaces with an appropriate amount of lubrication
21	Handle washer & screw	Medium oil or grease	Once every 3 fshg wks	
22	Handle knob & shaft	1. Medium or heavy oil 2. Light or medium heavy grease	1. After each day fshg 2. Once every 3 fshg wks	
	Line	Do not lubricate		After each day of saltwater fishing, spool should be removed and rinsed with freshwater until all salt is washed away.