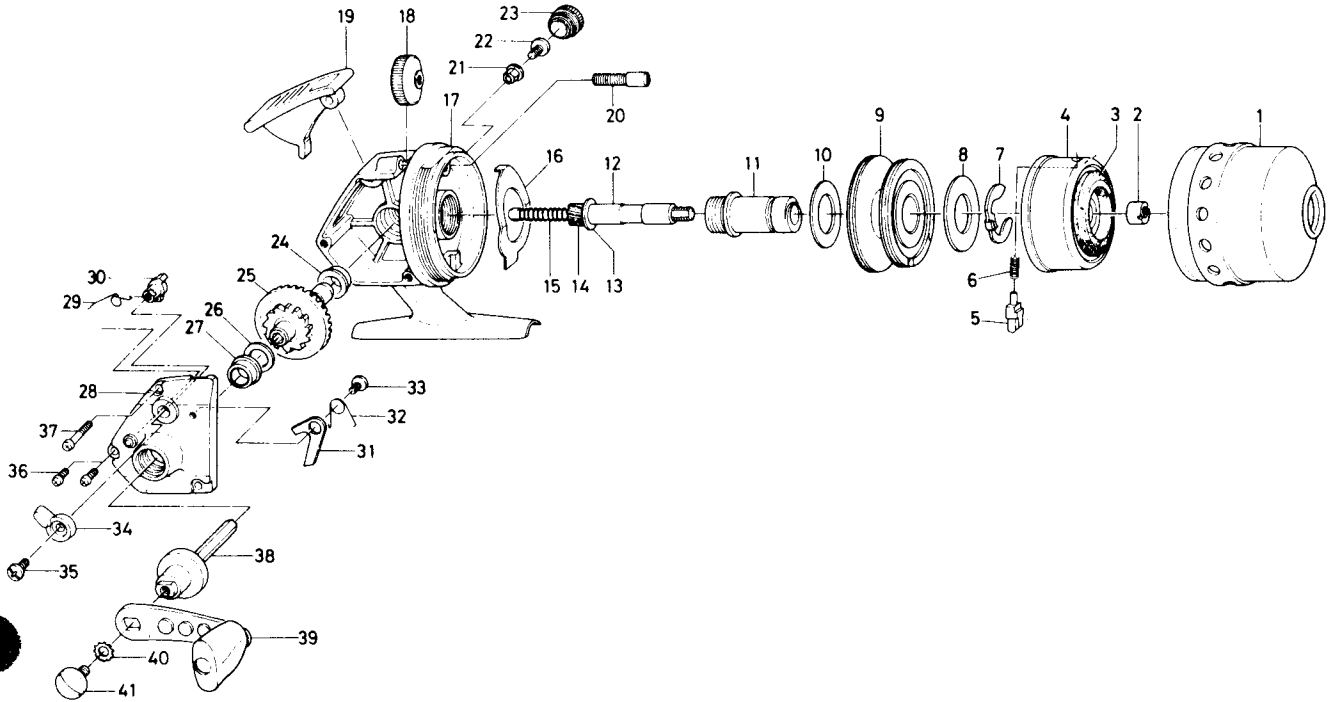


SPINCASTING REEL

Silvercast 208RL



KEY NO. 3 ~ 6  
6-736-6301

ROTOR ASSEMBLY

KEY NO. 12 ~ 15  
6-711-1722

MAIN SHAFT ASSEMBLY

Key No.	Parts No.	Parts Name	Key No.	Parts No.	Parts Name
1	B09-2001	Front cover	22	363-8511	Handle screw A
2	342-4911	Rotor nut	23	363-6001	Handle screw cap
3	B08-8601	Line stopper	24	637-4801	Drive gear shaft holder
4	736-6202	Rotor	25	413-5201	Drive gear
5	180-3811	Pick up pin	26	370-5100	Drive gear washer
6	142-4501	Pick up pin spring	27	637-4801	Drive gear shaft holder
7	320-9101	Spool retainer	28	062-9906	Body cover
8	370-0412	Spool washer	29	B09-1401	Anti-reverse cam spring
9	732-1802	Spool	30	461-4501	Anti-reverse cam
10	370-0412	Spool washer	31	111-7011	Anti-reverse claw
11	381-7611	Shaft metal	32	144-5111	Anti-reverse claw spring
12	393-9101	Main shaft	33	351-7701	Anti-reverse claw screw
13	370-0226	Pinion washer	34	541-3132	Anti-reverse lever
14	402-6401	Pinion gear	35	351-4701	Anti-reverse lever screw
15	142-7711	Main shaft spring	36	351-1101	Body cover screw (short)
16	151-6501	Drag adjusting plate	37	353-4911	Body cover screw (long)
17	700-8623	Body	38	071-0503	Drive gear shaft
18	B07-9301	Drag adjusting dial	39	746-5201	Handle
19	B08-1802	Push button	40	160-8001	Handle washer
20	363-5911	Handle adjusting screw	41	363-5301	Handle screw B
21	501-8501	Handle screw holder			