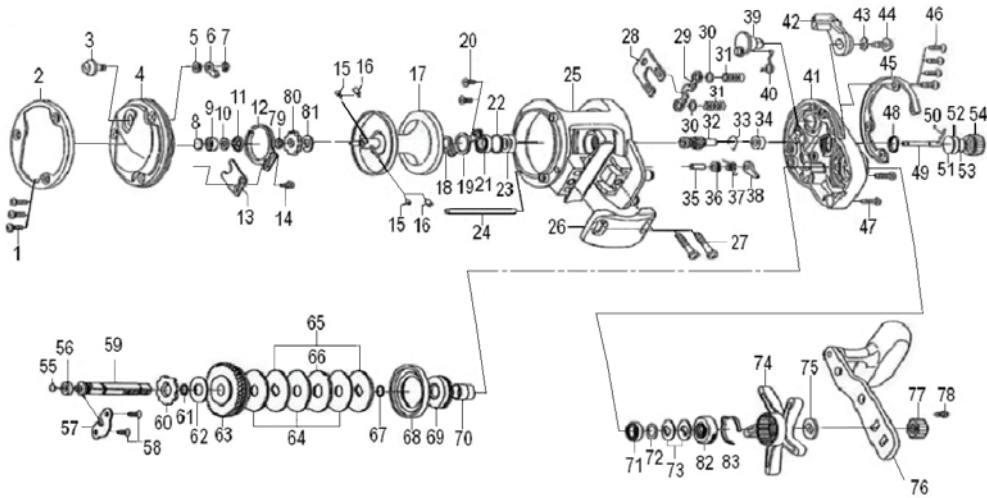


SEALINE-X 20SHA / 30SHA



Key No.	Parts No.	Parts Name	Key No.	Parts No.	Parts Name
1	F09-3601	L/S PLT SCREW	46	F09-3601	R/S PLT SCREW A
2	E31-8204	L/S OUTER RING	47	B00-9702	R/S PLT SCREW B
3	E36-1301	CLICK BUTTON	48	B05-5201	O RING A
4	E34-5214	L/S PLT	49	F94-6901	PINION SHAFT
5	373-1600	CLICK BUTTON WASHER	50	F73-2801	PIN
6	030-6612	CLICK PAWL	51	375-7501	SPACER C
7	320-1402	CLICK PAWL RET	52	375-7500	SPACER D
8	375-7405	SPACER A	53	B17-5503	SPACER E
9	G51-1501	BALL BEARING A	54	E31-5408	CAST CONTROL CAP
10	E32-6601	BEARING WASHER A	55	F57-5602	DRIVE SHAFT WASHER A
11	E31-8001	BALL BEARING COLLAR A	56	E35-1501	DRIVE SHAFT BUSH
12	160-7922	CLICK SPRING	57	E19-9401	DRIVE SHAFT RET
13	E36-1201	CLICK RET	58	E31-6701	DRIVE SHAFT RET SCREW
14	B83-4402	CLICK SPRING SCREW	59	F97-4301	DRIVE SHAFT
15	B35-2901	BRAKE COLLAR A	60	E25-2903	A/R RATCHET
16	B35-2701	BRAKE COLLAR B	61	F65-7801	O RING B
17	G00-7203	SPOOL	62	374-6604	DRIVE SHAFT WASHER B
18	F97-5601	BALL BEARING COLLAR B	63	F97-4401	DRIVE GEAR
19	F97-4101	BEARING RET A	64	F97-4501	DRAG WASHER
20	E31-6701	BEARING RET SCREW	65	F97-4701	KEY WASHER
21	G42-7201	BALL BEARING B	66	F97-4601	EARED WASHER
22	F94-7102	SPACER B	67	F65-7801	O RING C
23	G00-7401	BUSHING A	68	F97-4801	WATER SHIELD
24	E31-6003	STABILIZER BAR	69	F97-4901	COLLAR A
25	G78-1601	FRAME	70	G00-7501	COLLAR B
26	E31-8301	ROD CLAMP	71	G42-7201	BALL BEARING C
27	E31-8401	CLAMP BOLT	72	F73-4201	BEARING WASHER B
28	E31-6101	YOKE PLT	73	E25-3501	DRAG SPRING WASHER
29	E36-1101	YOKE	74	F55-0408	STAR DRAG
30	E03-7706	YOKE WASHER	75	E25-3901	SPACING SLEEVE
31	E33-5301	YOKE SPRING	76	G78-1501	HANDLE
32	F97-4201	PINION GEAR	77	G22-0301	HANDLE NUT
33	B09-5601	BEARING RET B	78	G21-8201	HANDLE NUT SCREW
34	G00-8001	BUSHING B	79	320-1402	CLICK SPRING RET
35	E25-2301	A/R PAWL PIN	80	B21-6701	CLICK GEAR
36	F00-8001	SPRING HOLDER	81	E36-1402	CLICK GEAR WASHER
37	E31-6502	A/R PAWL SPRING	82	F17-0501	DRAG HOLDER
38	E31-6401	A/R PAWL	83	B74-7702	CLICK LEAF SPRING
39	E31-5501	CLUTCH CAM			
40	F02-0301	CLUTCH SPRING			
41	F97-3808	R/S PLT			
42	E24-9808	CLUTCH LEVER			
43	160-8001	CLUTCH LEVER WASHER			
44	E00-7602	CLUTCH LEVER SCREW			
45	E31-7304	R/S OUTER RING			

SL-X30SHA SPECIAL PARTS

Key No.	Parts No.	Parts Name
4	E34-5215	L/S PLT
17	G00-7303	SPOOL
24	E40-4604	STABILIZER BAR
25	G78-1701	FRAME