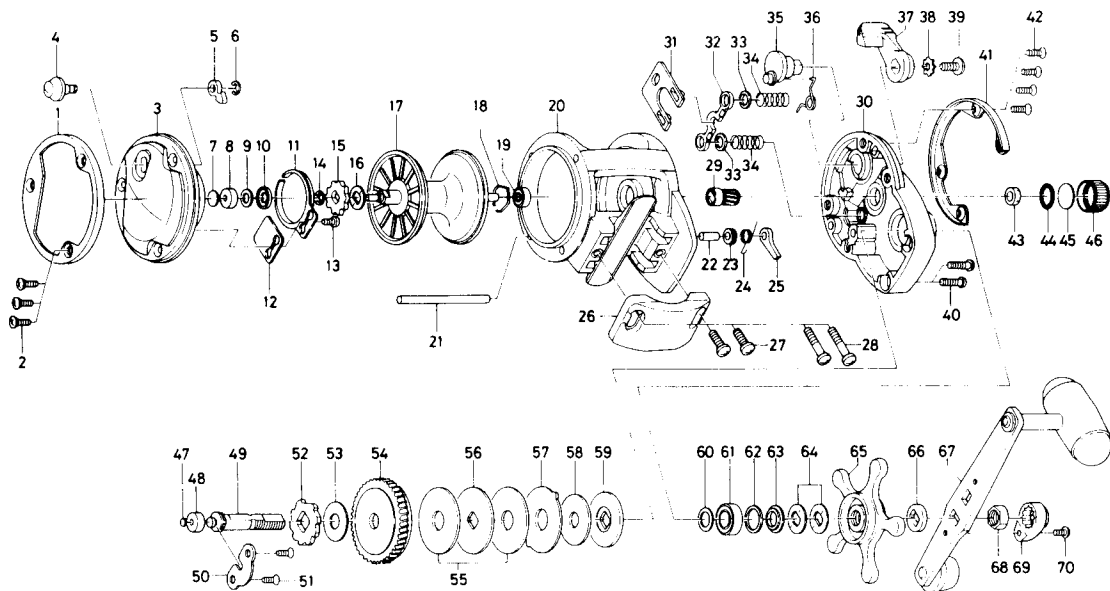


MULTIPLYING REEL SEALINE — SG30H



Key				Key			
No.	Part No.	Part Name	Price	No.	Part No.	Part Name	Price
1	E31-8201	Left side outer ring	8.30	37	E24-9803	Clutch lever	3.00
2	E31-7401	Left side plate screw	.55	38	160-8001	Clutch lever lock washer	.50
3	E50-6401	Left side plate	13.80	39	E00-7602	Clutch lever screw	.55
4	E36-1301	Click button	2.50	40	351-8502	Right side plate screw A	.70
5	030-6612	Click pawl	1.25	41	E31-7301	Right side outer ring	6.50
6	320-1402	Click pawl retainer	.40	42	E31-7401	Right side plate screw B	.55
7	375-7405	Spacer	.60	43	B54-6401	Bushing B	4.40
8	B54-6401	Bushing A	4.40	44	B05-5201	"O" ring	.65
9	E32-6601	Bearing washer A	.65	45	375-7501	Spacer B	.60
10	E31-8001	Bushing washer A	.80	46	E31-5401	Cast control cap	1.75
11	160-7922	Click spring	2.75	47	B12-0201	Drive shaft washer A	.40
12	E36-1201	Click spring retainer	.95	48	E35-1501	Bushing C	1.15
13	B83-4402	Click spring screw	.50	49	E31-6601	Drive shaft	7.50
14	320-1402	Click gear retainer	.40	50	E19-9401	Drive shaft retainer	.85
15	B21-6701	Click gear	1.30	51	E31-6701	Drive shaft retainer screw	.45
16	E36-1401	Click spring washer	.95	52	E25-2903	Anti-reverse ratchet	2.25
14-17	Z00-3031	Spool	21.00	53	374-6604	Drive shaft washer B	.45
18	B27-0501	Bearing retainer	.35	54	F13-2701	Drive gear	18.50
19	E18-2802	Ball bearing A	7.50	55	E31-6901	Drag washer A	2.95
20	E51-1501	Frame assembly	28.60	56	E31-7001	Key washer A	.95
21	E40-4601	Stabilizer bar	3.10	57	E31-7101	Eared washer	1.30
22	E25-2301	Anti-reverse pawl pin	.70	58	E32-6501	Drag washer B	2.30
23	F00-8001	Spring holder	.95	59	E31-7201	Key washer B	1.25
24	E31-6501	Anti-reverse pawl spring	.65	60	373-7807	Bearing washer B	.55
25	E31-6401	Anti-reverse pawl	1.05	61	B62-8601	Ball bearing B	8.35
26	E31-8301	Rod clamp	3.95	62	B68-4402	Bearing washer C	.65
27	E31-8401	Clamp bolt	1.30	63	E25-3301	Bushing washer B	.90
29	F13-2801	Pinion gear	14.15	64	E25-3501	Drag spring washer	.80
30	E51-0903	Right side plate	12.40	65	E25-3602	Star drag	6.60
31	E31-6101	Yoke plate	1.30	66	E25-3901	Spacing sleeve	.95
32	E36-1101	Yoke	1.30	67	E17-5503	Handle assembly	15.20
33	E03-7704	Yoke washer	.50	68	B86-2101	Handle nut	1.25
34	E33-5301	Yoke spring	.50	69	E44-0001	Handle nut plate	.70
35	E31-5501	Clutch cam	2.85	70	352-2503	Handle nut plate screw	.45
36	F02-0301	Clutch spring	.70				