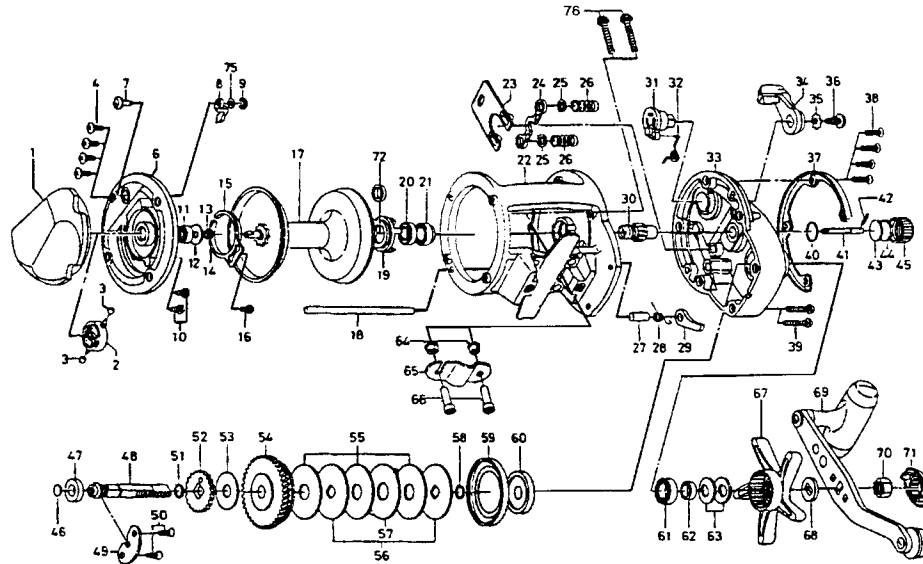


# SEALINE-X40HC



Key No.	Parts No.	Parts Name	Key No.	Parts No.	Parts Name
1	F95-4703	IC INDICATOR	39	F73-4302	R/S PLT SCREW B
2	F73-5401	MAGNET HOLDER	40	B05-5201	O RING A
3	F73-5801	MAGNET HOLDER COLLAR	41	F73-2701	PINION SHAFT
4	F73-6202	L/S PLT SCREW A	42	F73-2801	PIN
6	F99-5601	L/S PLT	43	375-7501	SPACER C
7	F73-5202	CLICK BUTTON	44	B17-5503	SPACER D
8	F73-5301	CLICK PAWL	45	E31-5405	CAST CONTROL CAP
9	320-5901	CLICK PAWL RET	46	F73-3501	DRIVE SHAFT WASHER A
10	351-6105	L/S PLT SCREW B	47	B73-8001	BUSHING B
11	637-2101	BALL BEARING A	48	F73-3602	DRIVE SHAFT
12	F73-5101	BALL BEARING COLLAR A	49	F09-8401	DRIVE SHAFT RET
13	F74-2102	SPACER A	50	E31-6701	DRIVE SHAFT RET SCREW
14	B41-1701	SPACER B	51	F65-7801	O RING B
15	160-7923	CLICK SPRING	52	F55-5102	A/R RATCHET
16	B83-4402	CLICK SPRING SCREW	53	F73-3701	DRIVE SHAFT WASHER B
17	F94-9401	SPOOL	54	F73-3801	DRIVE GEAR
18	F73-6803	STABILIZER BAR	55	F87-7501	DRAG WASHER
19	F21-6201	BEARING RET	56	E31-7001	KEY WASHER
20	636-6402	BALL BEARING B	57	E31-7101	EARED WASHER
21	F73-3201	BUSHING A	58	F65-7801	O RING C
22	F95-8901	FRAME	59	F73-3901	WATER SHIELD
23	F09-7901	YOKE PLT	60	F73-4001	BALL BEARING COLLAR B
24	E25-2102	YOKE	61	B62-8601	BALL BEARING C
25	E03-7706	YOKE WASHER	62	F78-8701	COLLAR A
26	F93-5201	YOKE SPRING	63	E25-3501	DRAG SPRING WASHER
27	F09-8201	A/R PAWL PIN	64	F18-7801	ROD BRACE NUT
28	F77-4401	A/R PAWL SPRING	65	041-5601	ROD BRACE
29	F73-3401	A/R PAWL	66	F18-7701	CLAMP NUT
30	F73-3301	PINION GEAR	67	F55-0415	STAR DRAG
31	F09-7301	CLUTCH CAM	68	E25-3901	SPACING SLEEVE
32	F38-5801	CLUTCH SPRING	69	F78-8001	HANDLE
33	F09-6916	R/S PLT	70	B86-2102	HANDLE NUT
34	E42-6805	CLUTCH LEVER	71	F47-1205	HANDLE NUT PLT
35	160-8001	CLUTCH LEVER LOCK WASHER	72	F77-4701	COLLAR B
36	E00-7602	CLUTCH LEVER SCREW	75	F77-4600	CLICK BUTTON WASHER
37	F09-7203	R/S OUTER RING	76	F18-7601	CLAMP BOLT A
38	F09-3601	R/S PLT SCREW A			