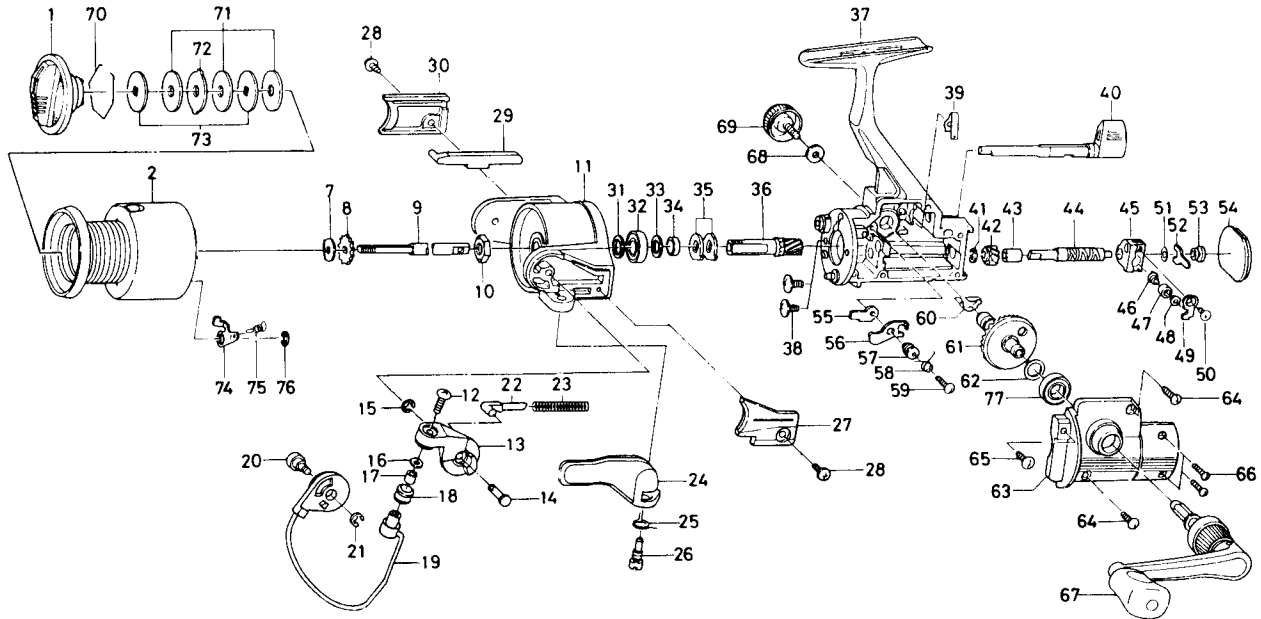


SPINNING REEL — ST705



Key No. 2.70-76
E29-7703 Spool assembly

Key No.	Part No.	Part Name	Price	Key No.	Part No.	Part Name	Price
1	E29-8102	Drag knob	6.40	42	E41-5801	Worm shaft gear	1.60
2	E29-7803	Spool assembly	N/A*	43	E29-6501	Worm shaft bush	.80
7	E39-4001	Spool washer	.60	44	E41-9901	Worm shaft	6.50
8	E36-5301	Click gear	.60	45	F01-1003	Oscillating slider	3.70
9	E48-2201	Main shaft	2.10	46	E12-2403	Oscillating pawl	4.95
10	341-9201	Rotor nut	.55	47	E12-4601	Oscillating pawl bush	2.10
11	E37-3203	Rotor	4.80	48	375-0800	Oscillating pawl washer	.40
12	B67-9304	Line roller screw	.40	49	E11-6801	Oscillating slider cover	.80
13	E37-3301	Bail arm	1.65	50	E15-0203	Oscillating slider cover screw	.70
14	E37-3401	Bail arm screw	1.00	51	B53-6100	Worm shaft washer	.35
15	320-5901	Bail arm screw retainer	.50	52	E29-6701	Worm shaft retainer	.80
16	B55-4301	Line roller washer	.40	53	E29-6601	Worm shaft collar	2.35
17	B45-1501	Line roller collar	.60	54	F01-9813	Rear cover	2.60
18	250-3921	Line roller	.90	55	B95-9301	Anti-reverse pawl plate	.70
19	E38-8501	Bail assembly	4.25	56	E27-1301	Anti-reverse pawl	1.15
20	E38-3102	Bail trip cam screw	1.00	57	B95-9501	Anti-reverse pawl collar	.95
21	320-5901	Bail trip cam screw retainer	.50	58	E95-9602	Anti-reverse pawl spring A	.60
22	E36-8201	Bail spring shaft	.70	59	B00-8601	Anti-reverse pawl screw	.35
23	E37-2401	Ball spring	.70	60	E29-6902	Anti-reverse pawl spring B	1.40
24	E37-3601	Trigger lever	2.70	61	E42-0101	Drive gear	3.90
25	E36-9901	Trigger spring	.70	62	375-8502	Drive gear washer	.45
26	E41-7801	Trigger screw	1.15	63	E38-7904	Side cover	3.40
27	E37-3503	Bail spring cover	1.15	64	E15-8601	Side cover screw A	.60
28	E36-4201	Bail spring cover screw	.60	65	E13-0501	Side cover screw B	.60
29	E36-8402	Bail trip lever	1.15	66	E11-9601	Side cover screw C	.70
30	E36-8503	Bail trip cover	1.15	67	E41-7902	Handle assembly	6.50
31	375-8503	Bearing washer A	.60	68	F02-0201	Handle lock washer	.35
32	634-1301	Ball bearing A	6.95	69	F03-5601	Handle lock screw	1.65
33	375-8500	Bearing washer B	.45	70	171-7701	Drag washer retainer	.35
34	E29-6101	Spacing sleeve	.70	71	E13-6001	Drag washer	.70
35	E36-9401	Anti-reverse ratchet	.70	72	E13-6201	Eared washer	.70
36	E42-0001	Pinion gear	4.75	73	E13-6101	Key washer	.80
37	F10-3301	Body assembly	7.50	74	E13-2101	Click pawl	.65
38	E03-7801	Bearing retainer screw	.60	75	B61-8801	Click spring	.40
39	E26-8701	Anti-reverse cam spring	.55	76	320-5901	Click retainer	.50
40	E36-3214	Anti-reverse lever	1.30	77	634-1301	Ball bearing B	6.95
41	B33-9801	Worm shaft gear retainer	.35				