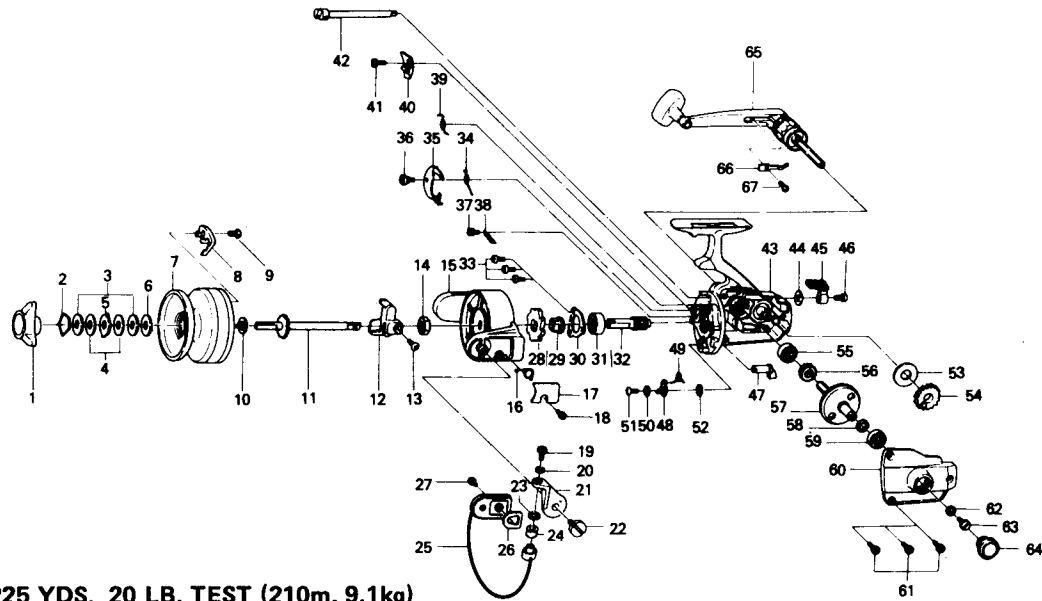


SPINNING REEL SS5000



LINE CAPACITY: 225 YDS., 20 LB. TEST (210m. 9.1kg)

Key No. 2 ~ 9	6-732-0802	Spool assembly	\$19.80
Key No. 65 ~ 67	6-746-7401	Handle assembly	14.00

Key No.	Parts No.	Parts Name	Price Per Piece	Key No.	Parts No.	Parts Name	Price Per Piece
1	6-000-8236	Drag knob	\$3.45	35	6-781-3521	Click claw	\$1.00
2	6-170-4511	Drag washer retainer	.10	36	6-363-3012	Click claw screw	.20
3	6-372-7812	Drag D washer	.15	37	6-363-3301	Click lever spring screw	.10
4	6-372-9011	Disc washer	.40	38	6-144-0211	Click lever spring	.15
5	6-375-5401	Drag A washer	.15	39	6-144-0301	Anti-reverse cam spring	.15
6	6-372-7701	Drag washer A	.15	40	6-770-0931	Anti-reverse claw	1.00
7	6-732-0901	Spool	N/A	41	6-363-3601	Anti-reverse claw screw	.25
8	6-030-4411	Spool click claw	.15	42	6-461-3101	Anti-reverse cam	1.20
9	6-351-6102	Spool click claw screw	.10	43	6-700-6802	Body	9.50
10	6-371-2732	Spool washer	.10	44	6-373-2700	Anti-reverse lever washer	.10
11	6-711-1311	Main shaft	2.55	45	6-541-2801	Anti-reverse lever	.75
12	6-481-1012	Oscillating slider	.55	46	6-351-1001	Anti-reverse lever screw	.10
13	6-351-8901	Oscillating slider screw	.10	47	6-541-3001	Noiseless lever	.50
14	6-340-8301	Rotor nut	.20	48	6-461-3101	Noiseless cam	.25
15	6-201-7602	Rotor	4.25	49	6-144-2101	Noiseless lever spring	.15
16	6-144-2201	Bail spring	.10	50	6-160-3111	Noiseless lever washer A	.10
17	6-633-0702	Bail spring cover	.15	51	6-350-1931	Noiseless lever screw	.10
18	6-350-1931	Bail spring cover screw	.10	52	6-375-3001	Noiseless lever washer B	.10
19	6-363-3111	Bail screw	.35	53	6-374-5400	Oscillating gear washer	.10
20	6-375-1101	Bail washer	.10	54	6-412-3602	Oscillating gear	.40
21	6-231-1901	Arm lever	1.50	55	6-636-6001	Ball bearing	3.65
22	6-362-3411	Arm lever screw	.60	56	6-402-3801	Oscillating pinion	.50
23	6-501-2001	Roller collar	.25	57	6-750-3041	Drive gear	5.90
24	6-250-4301	Line roller	.30	58	6-371-2820	Drive gear washer	.10
25	6-725-1216	Bail	2.30	59	6-636-6001	Ball bearing	3.65
26	6-210-3501	Balancer	.35	60	6-705-9902	Body cover	4.50
27	6-351-6401	Bail holder screw	.10	61	6-353-1504	Body cover screw	.10
28	6-280-5401	Ratchet	.70	62	6-371-9521	Handle washer	.10
29	6-270-7112	Click gear	.50	63	6-363-3411	Handle screw	.20
30	6-050-5101	Ball bearing ret. washer	.25	64	6-781-3101	Handle screw cap	1.00
31	6-635-5001	Ball bearing	4.25	65	6-746-6801	Handle arm	N/A
32	6-402-4011	Pinion gear	1.60	66	6-151-4401	Handle leaf spring	.10
33	6-351-6601	Ball bearing ret. washer screw	.10	67	6-352-0401	Handle leaf spring screw	.10