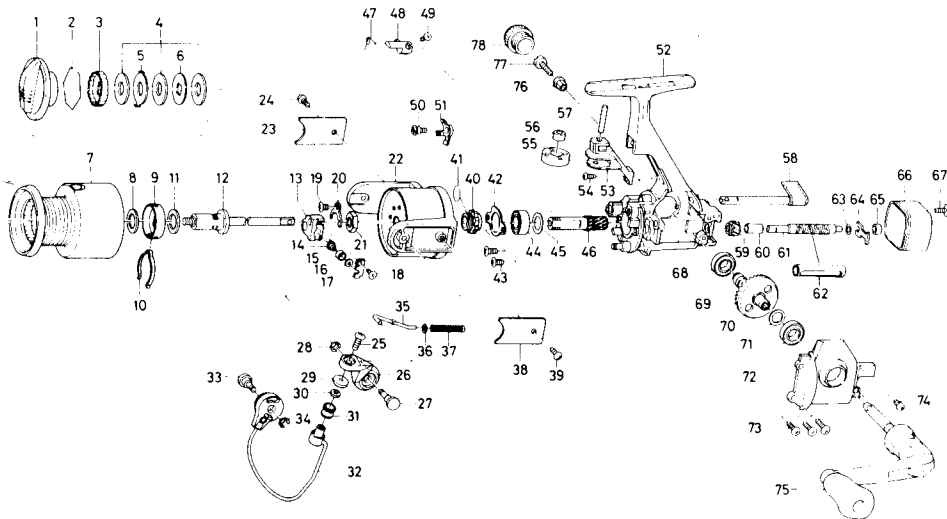


SPINNING REEL SS1300



Key No. 2 - 7
E12-3404

Spool Assembly

Key No.	Parts No.	Parts Name	Key No.	Parts No.	Parts Name
1	E12-1402	Drag knob	40	B61-8001	Anti-reverse ratchet
2	E54-3202	Drag washer retainer	41	145-0501	Anti-reverse pawl spring
3	E12-2801	Drag knob click plate	42	B45-6401	Bearing retainer
4	B36-0204	Drag washer	43	B83-4402	Bearing retainer screw
5	E15-0101	Eared washer	44	636-6401	Ball bearing A
6	B65-2302	Key washer	45	E15-4800	Ball bearing A
7	E12-2504	Spool	46	E11-5101	Bearing washer
8	E14-6501	Spool washer	47	E14-6702	Pinion gear
9	E12-2301	Click leaf spring holder	48	E11-4901	Anti-reverse cam spring
10	B74-7702	Spool click leaf spring	49	B12-8201	Anti-reverse cam
11	371-2800	Main shaft washer	50	E09-4401	Anti-reverse cam screw
12	E11-6501	Main shaft assembly	51	B90-3001	Anti-reverse pawl screw
13	E11-5201	Oscillating slider	52	E20-1302	Anti-reverse pawl
14	E12-2402	Oscillating pawl	53	E11-4501	Body
15	E12-4601	Oscillating pawl bush	54	E11-4501	Bail kick knock
16	375-0800	Oscillating pawl washer	55	E02-7401	Bail kick knock screw
17	E11-6801	Oscillating slider cover	56	E11-4602	Bail kick roller
18	E15-0202	Oscillating slider cover screw	57	E11-4701	Bail kick roller collar
19	351-1804	Rotor nut holding plate screw	58	E11-4801	Bail kick roller pin
20	B99-5101	Rotor nut holding plate	59	E11-5001	Anti-reverse lever
21	341-9203	Rotor nut	60	E11-5501	Worm shaft gear
22	E11-3802	Rotor assembly	61	E12-2101	Worm shaft bush
23	E11-6201	Bail trip cover	62	E11-5401	Worm shaft
24	B93-3002	Bail trip cover screw	63	E15-0601	Worm shield cover
25	B67-9303	Line roller screw	64	373-1300	Worm shaft washer
26	B68-1104	Bail arm	65	E11-5601	Worm shaft retainer
27	E11-6101	Bail arm screw	66	E12-2201	Worm shaft collar
28	320-5901	Bail arm screw retainer	67	E11-6902	Rear cover
29	B97-9801	Line roller collar	68	B84-2101	Rear cover screw
30	B55-4301	Line roller washer	69	637-5701	Ball bearing B
31	E04-4201	Line roller	70	E11-5701	Drive gear
32	E11-6302	Bail	71	375-8500	Drive gear washer
33	E11-6101	Bail trip cam screw	72	637-5701	Ball bearing B
34	320-5901	Bail trip cam screw retainer	73	E11-4002	Side cover
35	E11-5801	Bail spring shaft	74	B00-9701	Side cover screw A
36	E11-5901	Bail spring washer	75	B93-3001	Side cover screw B
37	E11-6001	Bail spring	76	E15-3801	Handle assembly
38	E11-6201	Bail spring cover	77	501-8501	Handle collar
39	B93-3002	Bail spring cover screw	78	363-8511	Handle screw
				B03-4806	Handle screw cap