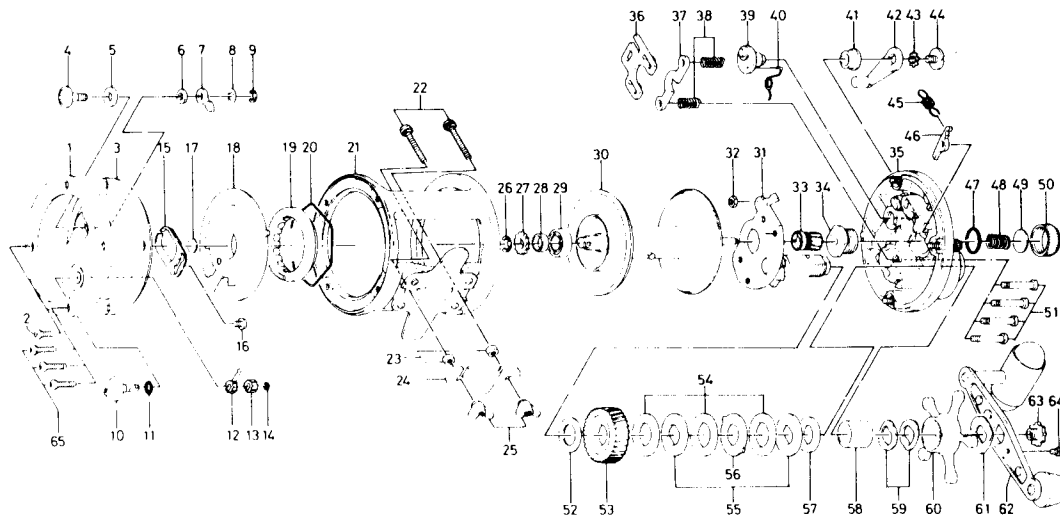


MULTIPLYING REEL SMF 250



Key No.	Parts No.	Parts Name	Key No.	Parts No.	Parts Name
1	B63-7101	L. S. ring	33	750-6011	Pinion gear
2	353-6201	L. S. plate screw A	34	720-2321	Ball bearing metal
3	B63-6901	L. S. plate	35	760-4912	R. S. plate
4	B62-9201	Click button	36	041-5701	Eccentric jack
5	B40-3103	Click button washer	37	041-5801	Pinion yoke
6	375-4302	Click claw washer A	38	145-2411	Clutch spring
7	B20-9301	Click claw	39	461-6801	Eccentric cam
8	373-1300	Click claw washer B	40	145-2501	Eccentric cam spring
9	320-5901	Click claw retainer	41	B35-2601	Clutch lever screw holder
10	B62-9301	Brake adjusting knob	42	782-5401	Clutch lever
11	637-0601	"O" ring A	43	160-8001	Clutch lever lock washer
12	B54-1701	Brake adjusting gear A	44	363-5301	Clutch lever screw
13	B62-9401	Brake adjusting gear B	45	145-2801	Anti-reverse claw spring
14	320-4202	Brake adjusting gear retainer	46	B12-0701	Anti-reverse claw
15	B62-9101	Click spring	47	171-1001	"O" ring B
16	352-2201	Click spring screw	48	145-3101	Spool adjusting spring
17	375-7405	Bearing metal washer	49	375-7501	Spool adjusting cap metal
18	B63-6701	Magnet holder A	50	382-0301	Spool adjusting cap
19	B62-8201	Magnet holder B	51	B40-3001	R. S. plate screw
20	B62-8501	Magnet holder retainer	52	375-2901	Gear shaft washer
21	B63-6503	Frame	53	413-9511	Drive gear
22	353-9801	Rod clamp screw	54	375-9903	Drag washer A
23	341-9701	Rod clamp nut	55	376-3401	Drag washer B
24	041-5601	Rod clamp	56	376-3501	Drag washer C
25	342-2111	Rod clamp wing nut	57	376-3601	Drag washer D
26	320-7601	Click gear retainer	58	501-9311	Spacing sleeve
27	B20-9701	Click gear	59	151-8701	Tension spring
28	B63-0401	Collar	60	782-5304	Star drag
29	B62-8601	Ball bearing	61	151-9701	Handle washer
30	B63-7201	Spool	62	B62-7302	Handle
31	782-5502	Set plate	63	780-7502	Handle screw
32	B03-7201	Set plate screw ret. nut	64	353-2811	Handle lock screw
			65	353-4301	L. S. plate screw B