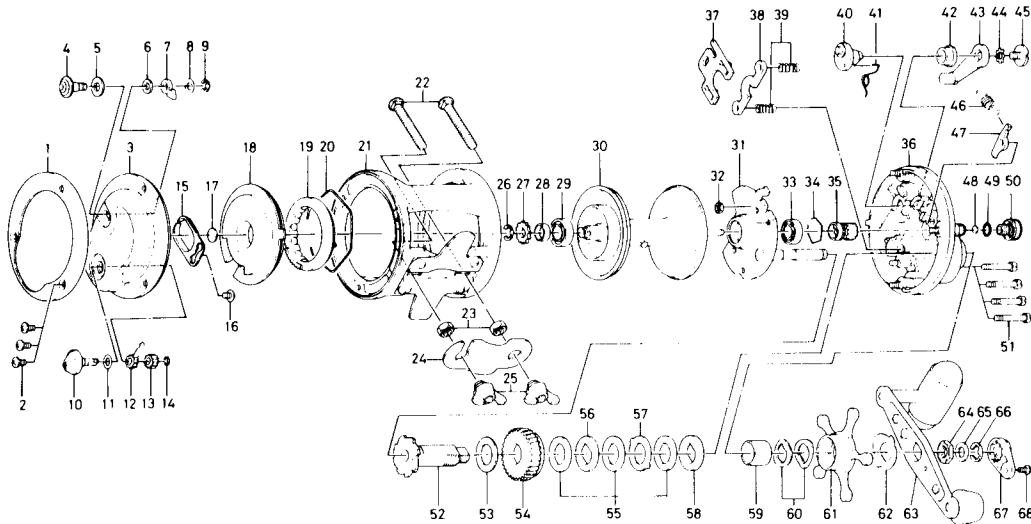


# MULTIPLYING REEL SMF 170



Key No.	Parts No.	Parts Name	Key No.	Parts No.	Parts Name
1	B62-9001	L.S. ring	35	750-6012	Pinion gear
2	353-6201	L.S. plate screw	36	B11-9702	R.S. plate
3	B62-8701	L.S. plate	37	041-5701	Eccentric jack
4	B62-9201	Click button	38	041-5801	Pinion yoke
5	B40-3103	Click button washer	39	145-2411	Clutch spring
6	375-4302	Click claw washer A	40	B12-0301	Eccentric cam
7	B20-9301	Click claw	41	B12-0601	Eccentric cam spring
8	373-1300	Click claw washer B	42	B35-2501	Clutch lever screw holder
9	320-5901	Click claw retainer	43	B12-0401	Clutch lever
10	B62-9301	Brake adjusting knob	44	160-8001	Clutch lever lock washer
11	637-0601	"O" ring	45	363-5301	Clutch lever screw
12	B54-1701	Brake adjusting gear A	46	145-2801	Anti-reverse claw spring
13	B62-9401	Brake adjusting gear B	47	B12-0701	Anti-reverse claw
14	320-4202	Brake adjusting gear retainer	48	B12-0201	Spool adjusting cap metal
15	B62-9101	Click spring	49	637-0601	"O" ring
16	352-2201	Click spring screw	50	B12-7801	Right spool cap
17	375-7405	Bearing metal washer	51	B34-3301	R.S. plate screw
18	B62-7701	Magnet holder A	52	B12-1101	Gear shaft
19	B62-8201	Magnet holder B	53	375-2901	Gear shaft washer
20	B62-8501	Magnet holder retainer	54	B12-1401	Drive gear
21	B82-7501	Frame	55	B12-1502	Drag washer A
22	353-9801	Rod clamp screw	56	375-6205	Drag washer B
23	341-9701	Rod clamp nut	57	375-6302	Drag washer C
24	041-5601	Rod clamp	58	375-6204	Drag washer D
25	342-2111	Rod clamp wing nut	59	B26-8401	Spacing sleeve
26	320-7601	Click gear retainer	60	151-8701	Tension spring
27	B20-9701	Click gear	61	782-5304	Star drag
28	B63-0401	Collar	62	B17-2801	Handle washer
29	B62-8601	Ball bearing	63	B62-7301	Handle
30	B62-9501	Spool	64	B26-7402	Handle nut
31	B30-7901	Set plate	65	371-0605	Handle nut washer
32	B03-7201	Set plate screw ret. nut	66	320-7601	Handle nut retainer
33	636-6401	Ball bearing	67	B15-2301	Handle nut plate
34	170-7701	Ball bearing retainer	68	351-1801	Handle nut plate screw