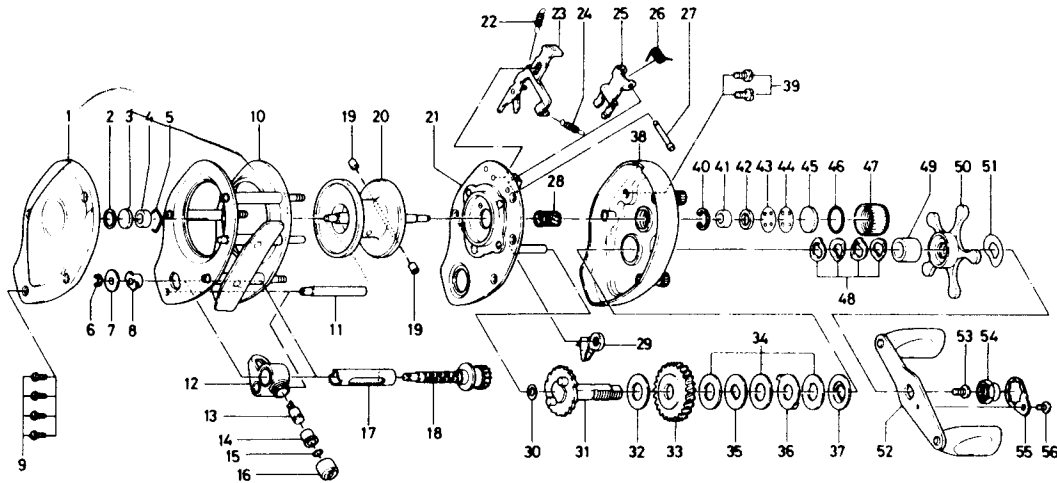


BAITCASTING REEL SM-2S



Key No.	Parts No.	Parts Name
1	760-4503	Left side cover
2	375-8501	Bearing washer A
3	B24-2901	Bearing washer B
4	634-5311	Bearing
5	B09-5601	Bearing ret. ring
6	320-5901	Worm shaft retainer
7	376-1801	Worm shaft holder washer
8	022-2201	Worm shaft holder
9	B36-0401	Left side cover screw
10	760-4602	Frame
11	051-4701	Frame post
12	782-8803	Line guide
13	121-4211	Line guide pin
14	022-2901	Line guide pin holder
15	375-4100	Line guide washer
16	342-4801	Line guide nut
17	637-1201	Worm shield
18	711-5103	Worm shaft
19	B35-2701	Brake collar
20	733-0903	Spool
21	782-3402	Set plate
22	144-8601	Clutch lever spring A
23	782-3501	Clutch lever
24	144-8701	Clutch lever spring B
25	041-4301	Clutch stopper plate
26	144-8801	Clutch stopper plate spring
27	121-9701	Clutch stopper plate pin
28	750-6402	Pinion gear

Key No.	Parts No.	Parts Name
29	770-1801	Anti-reverse claw
30	373-7611	Gear shaft washer A
31	720-2001	Gear shaft
32	374-9302	Gear shaft washer B
33	413-8802	Drive gear
34	374-9305	Drag washer A
35	374-9401	Drag washer B
36	375-8701	Drag washer C
37	376-0001	Drag washer D
38	760-4412	Right side cover
39	353-1701	Right side cover screw
40	B35-8701	Bearing ret. ring
41	634-5311	Bearing
42	502-0901	Bearing washer C
43	373-7502	Bearing ret. washer A
44	373-7500	Bearing ret. washer B
45	374-7221	Rubber washer
46	B05-5201	"O" ring
47	342-1002	Right spool cap
48	150-8901	Spring washer
49	502-0801	Spacing sleeve
50	550-3101	Star drag
51	150-9011	Handle washer
52	B46-5802	Handle
53	353-0701	Handle screw
54	341-5801	Handle nut
55	040-3201	Handle nut plate
56	353-8301	Handle nut plate screw