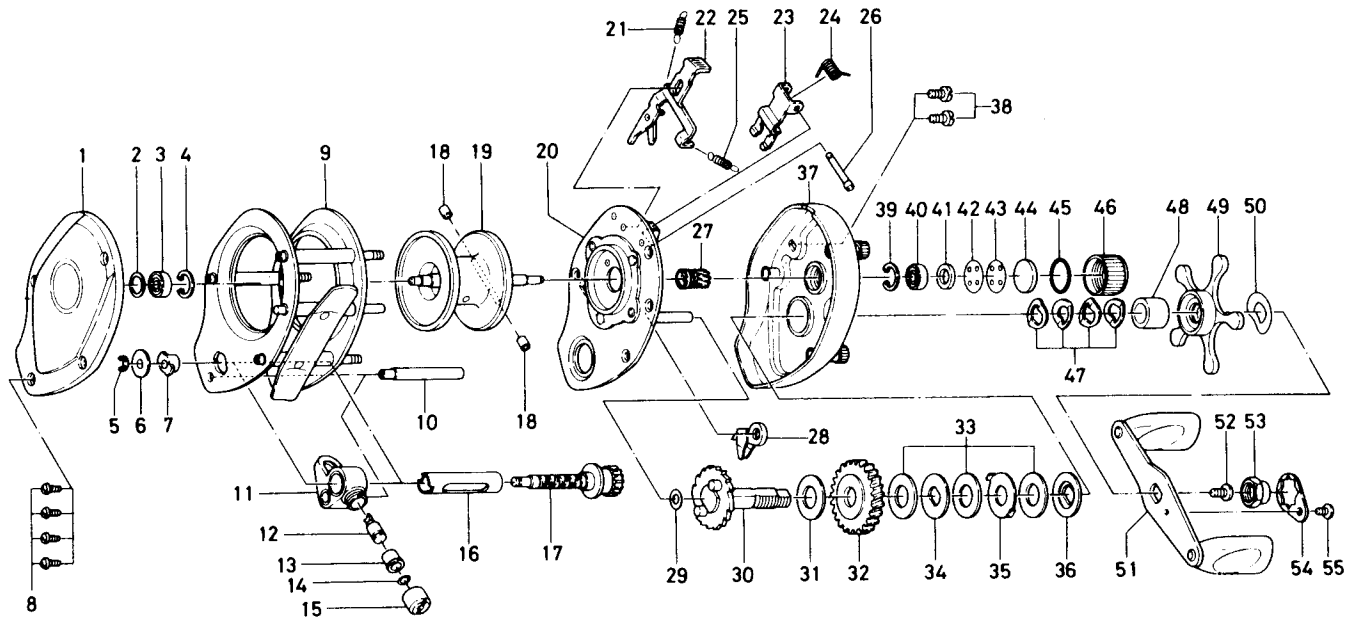


BAITCASTING REEL SM-2



Key No.	Parts No.	Parts Name
1	760-4501	Left side cover
2	375-8501	Ball bearing washer A
3	637-4601	Ball bearing
4	320-6501	Ball bearing ret. ring
5	320-5901	Worm shaft retainer
6	376-1801	Worm shaft holder washer
7	022-2201	Worm shaft holder
8	352-4221	Left side cover screw
9	760-4601	Frame
10	051-4701	Frame post
11	782-8801	Line guide
12	121-4211	Line guide pin
13	022-2901	Line guide pin holder
14	375-4100	Line guide washer
15	342-4801	Line guide nut
16	637-1201	Worm shield
17	711-5101	Worm shaft 711-5103
18	500-8011	Brake collar
19	733-0901	Spool
20	782-3401	Set plate
21	144-8601	Clutch lever spring A
22	782-3501	Clutch lever
23	041-4301	Clutch stopper plate
24	144-8801	Clutch stopper plate spring
25	144-8701	Clutch lever spring B
26	121-9701	Clutch stopper plate pin
27	750-6401	Pinion gear
28	770-1801	Anti-reverse claw

Key No.	Parts No.	Parts Name
29	373-7611	Gear shaft washer A
30	720-2001	Gear shaft
31	374-9302	Gear shaft washer B
32	413-8801	Drive gear
33	374-9305	Drag washer A
34	374-9401	Drag washer B
35	375-8701	Drag washer C
36	376-0001	Drag washer D
37	760-4401	Right side cover
38	353-1701	Right side cover screw
39	320-6501	Ball bearing ret. ring
40	637-4601	Ball bearing
41	502-0901	Ball bearing washer B
42	373-7502	Ball bearing ret. washer A
43	373-7500	Ball bearing ret. washer B
44	374-7221	Rubber washer
45	170-6701	"O" ring
46	342-1002	Right spool cap
47	150-8901	Spring washer
48	502-0801	Spacing sleeve
49	780-9804	Star drag
50	150-9001	Handle washer
51	747-1701	Handle
52	353-0701	Handle screw
53	341-5801	Handle nut
54	040-3201	Handle nut plate
55	353-8301	Handle nut plate screw