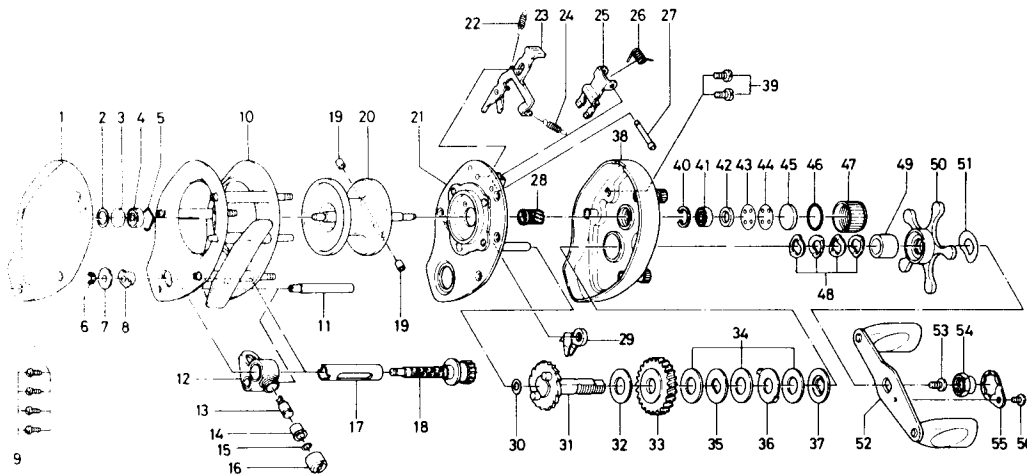


# BAITCASTING REEL SM-1A



Key No.	Parts No.	Parts Name	Key No.	Parts No.	Parts Name
1	760-4502	Left side cover	29	770-1801	Anti-reverse claw
2	375-8501	Ball bearing washer A	30	373-7611	Gear shaft washer A
3	B24-2901	Bearing metal washer	31	720-2001	Gear shaft
4	637-4601	Ball bearing	32	374-9302	Gear shaft washer B
5	B09-5601	Ball bearing retainer	33	413-8802	Drive gear
6	320-5901	Worm shaft retainer	34	374-9305	Drag washer A
7	376-1801	Worm shaft holder washer	35	374-9401	Drag washer B
8	022-2201	Worm shaft holder	36	375-8701	Drag washer C
9	352-4221	Left side cover screw	37	376-0001	Drag washer D
10	B26-9501	Frame	38	760-4411	Right side cover
11	B26-9001	Frame post	39	353-1701	Right side cover screw
12	782-8801	Line guide	40	320-6501	Ball bearing ret. ring
13	121-4211	Line guide pin	41	637-4601	Ball bearing
14	022-2901	Line guide pin holder	42	502-0901	Ball bearing washer B
15	375-4100	Line guide washer	43	373-7502	Ball bearing ret. washer A
16	342-4801	Line guide nut	44	373-7500	Ball bearing ret. washer B
17	B26-9301	Worm shield	45	374-7221	Rubber washer
18	711-5104	Worm shaft	46	B05-5201	"O" ring
19	500-8011	Brake collar	47	342-1002	Right spool cap
20	B26-8501	Spool	48	150-8901	Spring washer
21	782-3401	Set plate	49	502-0801	Spacing sleeve
22	144-8601	Clutch lever spring A	50	780-9804	Star drag
23	782-3501	Clutch lever	51	150-9001	Handle washer
24	144-8701	Clutch lever spring B	52	747-1701	Handle
25	041-4301	Clutch stopper plate	53	353-0701	Handle screw
26	144-8801	Clutch stopper plate spring	54	341-5801	Handle nut
27	121-9701	Clutch stopper plate pin	55	040-3201	Handle nut plate
28	750-6402	Pinion gear	56	353-8301	Handle nut plate screw