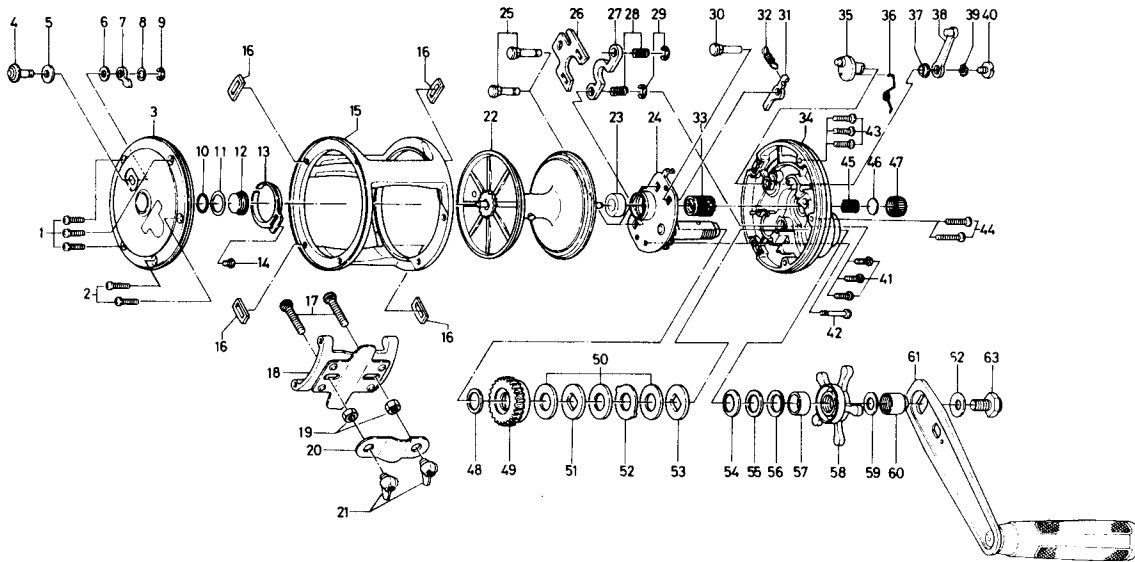


Conventional Reel SEALINE 910



Key No.	Parts No.	Parts Name
1	354-1601	L.S. plate screw A
2	B19-1101	L.S. plate screw B
3	760-7205	L.S. plate
4	541-6311	Click button
5	375-9201	Click button washer
6	375-9301	Click claw washer A
7	030-6111	Click claw
8	373-2700	Click claw washer B
9	320-7601	Click claw retainer
10	171-1001	Friction ring
11	375-9802	Case metal washer
12	720-2712	Case metal
13	160-7802	Click spring
14	352-2201	Click spring screw
15	701-7302	Frame
16	B53-3601	Frame plate
17	353-1001	Rod clamp screw
18	783-3001	Stand
19	341-9701	Rod clamp nut
20	040-7901	Rod clamp
21	342-2111	Rod clamp wing nut
22	734-7402	Spool
23	B53-3001	Bearing
24	B53-2701	Set plate
25	051-5612	Set plate pin A
26	041-9402	Eccentric jack
27	041-4802	Pinion yoke
28	144-8101	Clutch spring
29	320-1611	Clutch spring retainer
30	051-5512	Set plate pin B
31	111-9301	Anti-reverse claw
32	144-9511	Anti-reverse claw spring

Key No.	Parts No.	Parts Name
33	750-6501	Pinion gear
34	760-7302	R.S. plate
35	461-6911	Eccentric cam
36	144-4701	Eccentric cam spring
37	B35-2601	Clutch lever screw holder
38	781-8621	Clutch lever
39	160-8001	Clutch lever lock washer
40	363-5301	Clutch lever screw
41	353-9701	Set plate Screw A
42	B15-9101	Set plate Screw B
43	354-1601	R.S. plate screw A
44	B19-1101	R.S. plate screw B
45	145-3101	Spool adjusting spring
46	375-7501	Spool adjusting cap metal
47	382-0301	Spool adjusting cap
48	370-4512	Drive gear washer
49	414-3002	Drive gear
50	376-4702	Drag washer A
51	376-4804	Drag washer B
52	376-4901	Drag washer C
53	376-4803	Drag washer D
54	151-5212	Tension spring
55	375-3511	Drag washer E
56	151-5211	Tension spring
57	501-8911	Spacing sleeve
58	782-4502	Star drag
59	B53-3101	Gear metal cap washer
60	B53-3201	Gear metal cap
61	B53-3701	Handle
62	B53-3501	Handle screw washer
63	B53-3301	Handle screw