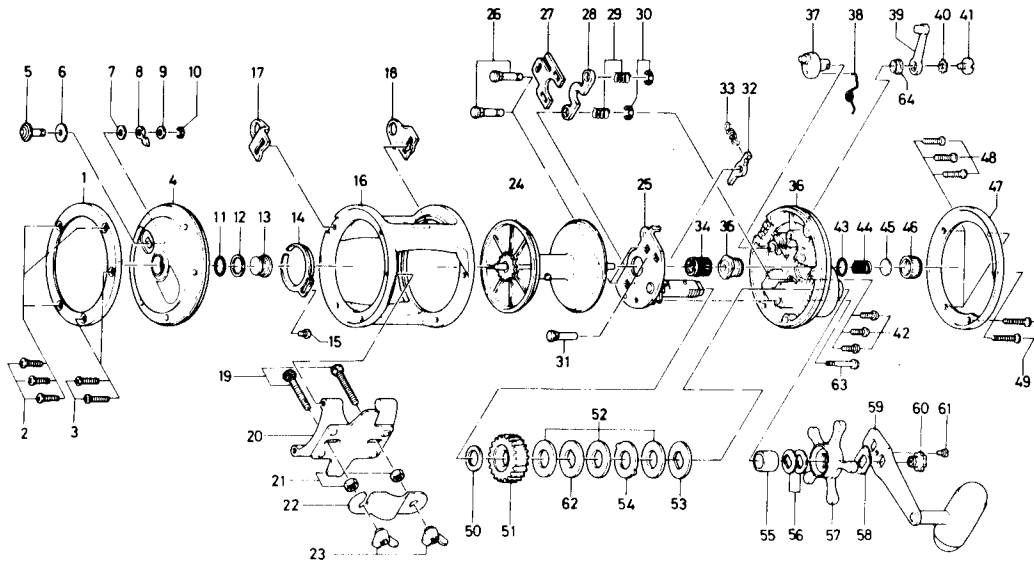


Conventional Reel

Sealine 450H & 450HW*



*SPECIAL PART FOR 450HW – STAINLESS STEEL SPOOL

Key No.	Parts No.	Parts Name	Key No.	Parts No.	Parts Name
1	171-6101	L. S. ring	33	144-9511	Anti-reverse claw spring
2	353-5101	L. S. plate screw A	34	750-5901	Pinion gear
3	353-6003	L. S. plate screw B	35	720-2321	Ball bearing metal
4	760-5707	L. S. plate for 450H	36	560-7622	R. S. plate
5	541-6311	Click button	37	461-6701	Eccentric cam
6	375-9201	Click button washer	38	145-2501	Eccentric cam spring
7	375-9301	Click claw washer A	39	782-5001	Clutch lever
8	030-6111	Click claw	40	160-8001	Clutch lever lock washer
9	373-2700	Click claw washer B	41	363-5301	Clutch lever screw
10	320-7601	Click claw retainer	42	353-9701	Set plate screw A
11	171-1001	Friction ring	43	171-1001	Friction ring
12	375-9802	Case metal washer	44	145-3101	Spool adjusting spring
13	720-2711	Case metal	45	375-7501	Spool adjusting cap metal
14	160-7802	Click spring	46	382-0301	Spool adjusting cap
15	352-2201	Click spring screw	47	171-6001	R. S. ring
16	701-5804	Frame	48	353-5101	R. S. plate screw A
17	041-4901	Harness lug	49	353-6003	R. S. plate screw B
18	041-4901	Harness lug	50	375-2901	Drive gear washer
19	353-9801	Rod clamp screw	51	413-9422	Drive gear
20	782-4903	Stand	52	375-9402	Drag washer A
21	341-9701	Rod clamp nut	53	376-3001	Drag washer D
22	041-5601	Rod clamp	54	376-3101	Drag washer C
23	342-2111	Rod clamp wing nut	55	501-9221	Spacing sleeve
24	734-3302	Spool for 450H	56	151-8701	Tension spring
25	782-5102	Set plate	57	782-5201	Star drag
26	051-5611	Set plate pin A	58	151-9701	Handle washer
27	041-6001	Eccentric jack	59	747-4112	Handle
28	041-5301	Pinion yoke	60	780-7502	Handle screw
29	144-8101	Clutch spring	61	353-2811	Handle lock screw
30	320-1611	Clutch spring retainer	62	376-3002	Drag washer B
31	051-5511	Set plate pin B	63	B15-9101	Set plate screw B
32	111-7401	Anti-reverse claw	64	B35-2501	Clutch lever screw holder