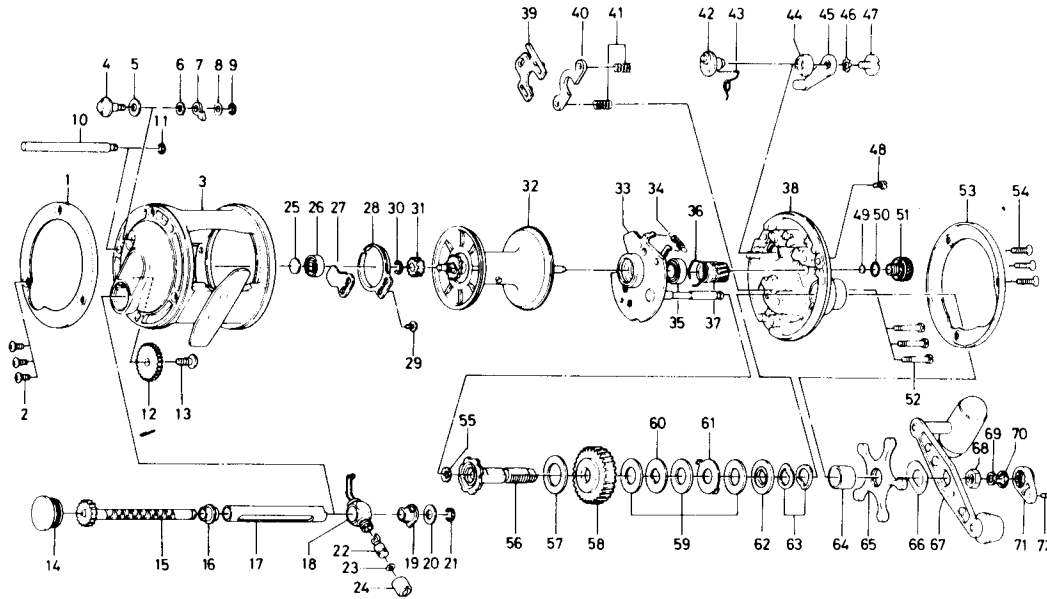


Conventional Reel

Sealine 27H



Key No.

Key No.	Parts No.	Parts Name
1	B21-0901	L. S. ring
2	353-6201	L. S. plate screw
3	B20-8600	Frame
4	B20-9201	Click button
5	B40-3101	Click button washer
6	375-4301	Click claw washer A
7	B20-9301	Click claw
8	373-1300	Click claw washer A
9	320-5901	Click claw retainer
10	B21-0401	Frame post
11	320-5901	Frame post retainer
12	B20-9901	Cog wheel -
13	351-1801	Cog wheel screw
14	B40-6701	Left side cap
15	B21-0011	Worm shaft
16	B10-0301	Worm shaft holder
17	B21-0301	Worm shield
18	B21-0501	Line guide
19	B09-9701	Shield bush
20	373-1302	Worm shaft holder washer
21	320-5901	Worm shaft retainer
22	121-4211	Line guide pin
23	375-0800	Line guide washer
24	341-5901	Line guide nut
25	375-7403	Ball bearing metal washer
26	633-8811	Ball bearing
27	B20-9001	Click spring retainer
28	B20-9101	Click spring
29	352-9501	Click spring screw
30	320-8202	Spool gear ret. ring
31	B20-9801	Spool gear
32	B20-9401	Spool
33	B20-7500	Set plate
34	145-2801	Anti-reverse claw spring
35	B18-1601	Ball bearing
36	B27-0501	Ball bearing retaining ring

Key No.

Key No.	Parts No.	Parts Name
37	B26-9701	Pinion gear
38	B20-6801	R. S. plate
39	B20-7201	Eccentric jack
40	B20-7301	Pinion yoke
41	B35-4901	Clutch spring
42	B20-7001	Eccentric cam
43	B12-0601	Eccentric cam spring
44	B35-2501	Clutch lever screw holder
45	783-2101	Clutch lever
46	160-8001	Clutch lever lock washer
47	363-5301	Clutch lever screw
48	B39-5401	Set plate screw A
49	B12-0201	Spool adjustable cap metal
50	637-0601	"O" ring
51	B12-7801	Spool adjusting cap
52	B20-8201	Set plate screw A
53	B21-0801	R. S. ring
54	353-4301	R. S. plate screw
55	373-7611	Gear shaft washer
56	B20-7802	Gear shaft
57	374-9302	Drive gear washer
58	B10-4101	Drive gear
59	374-9305	Drag washer A
60	374-9401	Drag washer B
61	375-8701	Drag washer C
62	376-0001	Drag washer D
63	150-8901	Tension spring
64	B20-8101	Spacing sleeve
65	B20-8301	Star drag
66	B41-5301	Handle washer
67	B20-8401	Handle
68	B43-3601	Handle nut
69	B41-1701	Handle nut washer
70	320-8202	Handle nut retainer
71	B43-3901	Handle nut plate
72	351-1801	Handle nut plate screw