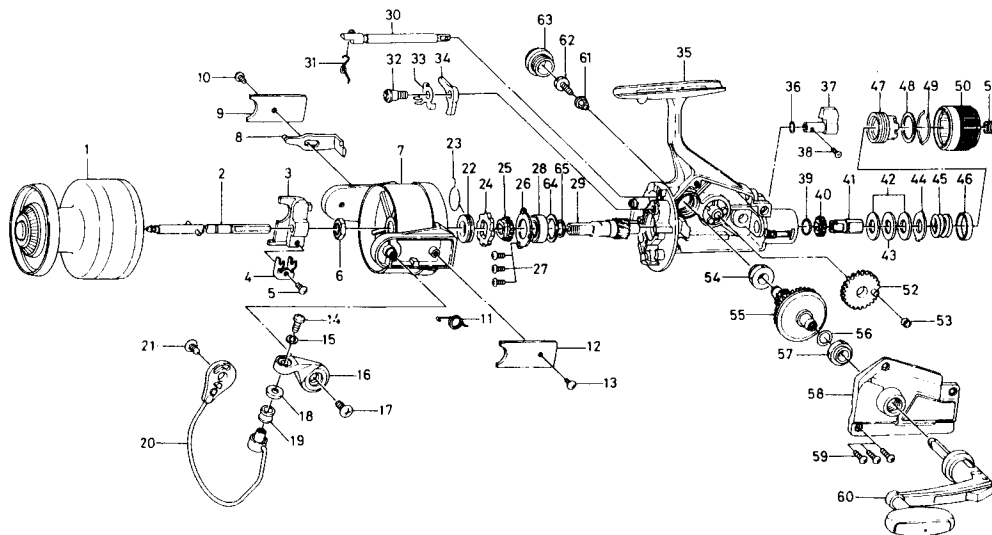


SPINNING REEL SK7050



Key No.	Parts No.	Parts Name	Key No.	Parts No.	Parts Name
1	B88-0601	Spool	34	111-3802	Anti-reverse claw
2	B77-6901	Main shaft	35	B88-0101	Body
3	B77-7301	Oscillating slider	36	375-5201	Anti-reverse lever washer
4	B77-7401	Oscillating slider retainer	37	B77-4302	Anti-reverse lever
5	351-6605	Oscillating slider screw	38	B34-2101	Anti-reverse lever screw
6	340-8301	Rotor nut	39	B52-2101	Click gear retainer
7	B77-5904	Rotor	40	B27-1601	Click gear
8	B77-6501	Bail kick lever	41	B80-0301	Drag washer holder
9	B77-6602	Bail kick lever cover	42	B77-5004	Drag washer A
10	351-6102	Bail kick lever cover screw	43	B77-5101	Drag washer B
11	B19-7201	Bail spring	44	B77-5201	Drag washer C
12	B77-6402	Bail spring cover	45	B91-3801	Drag knob spring
13	351-6102	Bail spring cover screw	46	B91-3901	Drag knob collar
14	B11-2802	Bail screw	47	B77-5402	Drag screw
15	B11-2701	Bail washer	48	B77-9101	Drag washer D
16	B80-3501	Arm lever	49	B77-5501	Drag washer spring
17	352-1103	Arm lever screw	50	B78-7401	Drag knob
18	501-2001	Roller collar	51	B77-5801	Drag knob screw
19	250-4502	Line roller	52	B78-9701	Oscillating gear
20	B79-7501	Bail	53	B78-9801	Oscillating collar
21	352-1103	Bail holder screw	54	501-6102	Bearing
22	B13-5701	Spring holder	55	B78-9001	Drive gear
23	B13-5801	Anti-reverse claw spring	56	371-2800	Drive gear washer
24	B84-9901	Ratchet	57	501-6102	Bearing
25	B32-1301	Spacer	58	B88-0401	Body cover
26	050-5101	Ball bearing ret. washer A	59	351-5904	Body cover screw
27	351-6605	Ball bearing ret. washer screw	60	B88-0501	Handle
28	637-6101	Ball bearing	61	501-8401	Handle collar
29	B78-8901	Pinion gear	62	363-8611	Handle screw
30	461-5122	Anti-reverse cam	63	363-4703	Handle screw cap
31	144-0321	Anti-reverse cam spring	64	B88-0801	Ball bearing ret. washer B
32	B05-7201	Anti-reverse claw screw	65	B90-9201	Ball bearing ret. washer C
33	B01-5501	Anti-reverse claw plate			