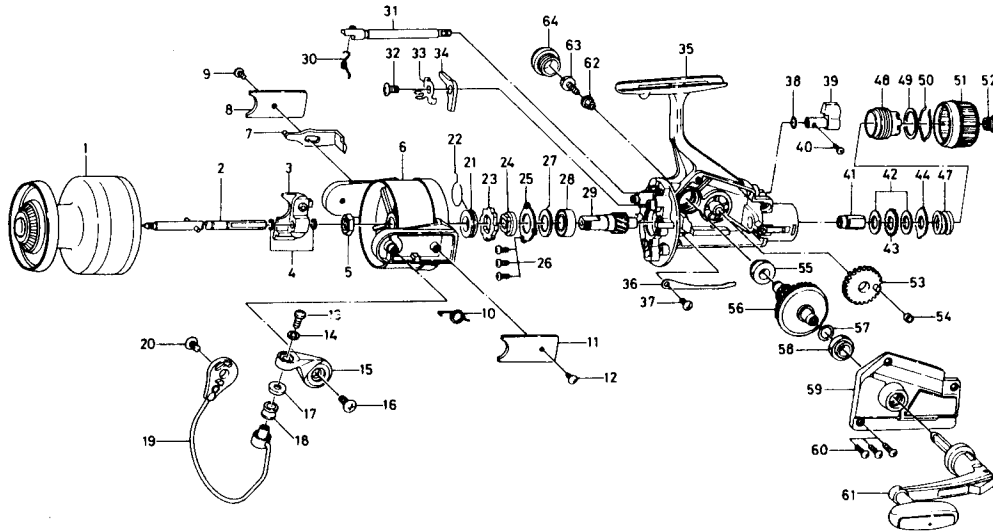


SPINNING REEL SK4050



| Key No. | Parts No. | Parts Name | Key No. | Parts No. | Parts Name |
|---------|-----------|--------------------------------|---------|-----------|---------------------------|
| 1 | B88-1001 | Spool | 33 | O41-9101 | Anti-reverse claw plate |
| 2 | B78-2701 | Main shaft | 34 | 111-9201 | Anti-reverse claw |
| 3 | B78-3001 | Oscillating slider | 35 | B88-0201 | Body |
| 4 | B78-3101 | Oscillating slider retainer | 36 | B78-1001 | Click claw |
| 5 | 340-8301 | Rotor nut | 37 | 351-6102 | Click claw screw |
| 6 | B78-3703 | Rotor | 38 | 375-5201 | Anti-reverse lever washer |
| 7 | B78-4001 | Bail kick lever | 39 | B77-4302 | Anti-reverse lever |
| 8 | B63-0903 | Bail kick lever cover | 40 | B34-2101 | Anti-reverse lever screw |
| 9 | 351-6102 | Bail kick lever cover screw | 41 | B78-1301 | Drag washer holder |
| 10 | B19-7201 | Bail spring | 42 | B46-9504 | Drag washer A |
| 11 | 634-6803 | Bail spring cover | 43 | B78-1401 | Click gear |
| 12 | 351-6102 | Bail spring cover screw | 44 | 373-3603 | Drag washer B |
| 13 | B11-2802 | Bail screw | 47 | B91-3801 | Drag knob spring |
| 14 | B11-2701 | Bail washer | 48 | B78-1502 | Drag screw |
| 15 | B80-3501 | Arm lever | 49 | B78-1601 | Drag washer C |
| 16 | 352-1103 | Arm lever screw | 50 | B78-1701 | Drag washer spring |
| 17 | 501-2001 | Roller collar | 51 | B78-5601 | Drag knob |
| 18 | 250-4502 | Line roller | 52 | B77-5801 | Drag knob screw |
| 19 | B78-9101 | Bail | 53 | B79-0501 | Oscillating gear |
| 20 | 352-1103 | Bail holder screw | 54 | B78-9801 | Oscillating collar |
| 21 | B13-5701 | Spring holder | 55 | 501-6102 | Bearing |
| 22 | B13-5801 | Anti-reverse claw spring | 56 | B78-9501 | Drive gear |
| 23 | B34-2201 | Ratchet | 57 | 371-2800 | Drive gear washer |
| 24 | B78-6701 | Spacer | 58 | 501-6102 | Bearing |
| 25 | B66-5301 | Ball bearing ret. washer A | 59 | B88-0301 | Body cover |
| 26 | 351-6605 | Ball bearing ret. washer screw | 60 | 351-5904 | Body cover screw |
| 27 | B47-9201 | Ball bearing ret. washer B | 61 | B90-3101 | Handle |
| 28 | B54-6001 | Ball bearing | 62 | 501-8401 | Handle collar |
| 29 | B78-9401 | Pinion gear | 63 | 363-8611 | Handle screw |
| 30 | 144-0321 | Anti-reverse cam spring | 64 | 363-4703 | Handle screw cap |
| 31 | 461-5021 | Anti-reverse cam | | | |
| 32 | 352-1103 | Anti-reverse claw screw | | | |