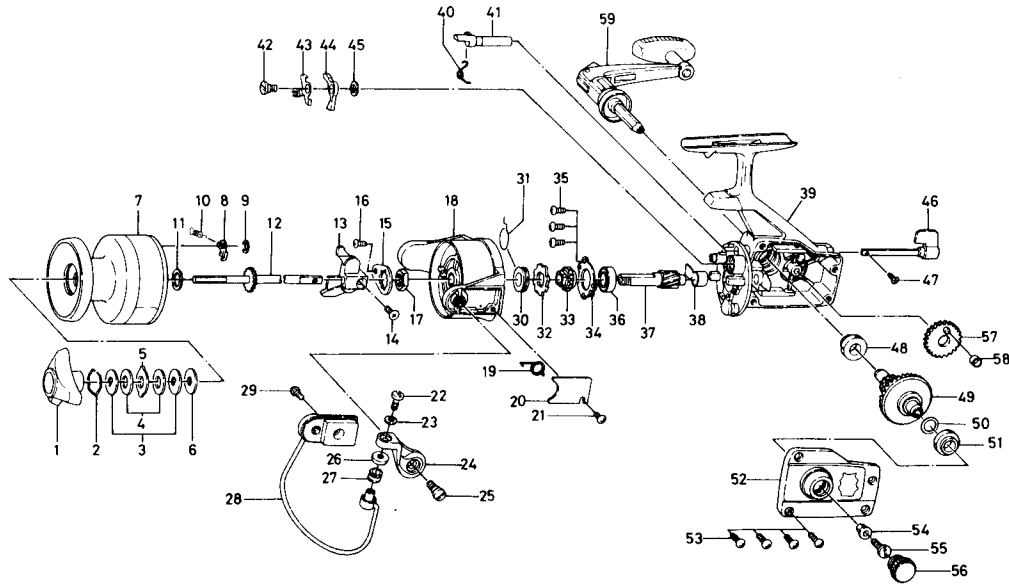


# SPINNING REEL SG4000



Key No.	Parts No.	Parts Name	Key No.	Parts No.	Parts Name
1	B88-1802	Drag knob	31	B76-2701	Anti-reverse claw spring
2	B88-1601	Drag washer retainer	32	B34-2201	Ratchet
3	373-2503	Drag D washer	33	B04-0101	Click gear
4	374-2901	Disc washer	34	B66-5301	Ball bearing ret. washer
5	375-5301	Drag A washer	35	B01-5801	Ball bearing ret. washer screw
6	370-6901	Drag washer A	36	635-4801	Ball bearing
7	B89-5701	Spool	37	B88-1501	Pinion gear
8	B07-8201	Spool click claw	38	B88-0001	Pinion holder
9	320-1402	Spool click claw retainer	39	B89-5001	Body
10	145-2101	Spool click claw spring	40	144-0321	Anti-reverse cam spring
11	374-9002	Spool washer	41	B66-4602	Anti-reverse cam
12	B81-9501	Main shaft	42	B66-5501	Anti-reverse claw screw
13	B66-6602	Oscillating slider	43	B66-5401	Anti-reverse claw plate
14	B30-4001	Oscillating slider screw	44	111-9201	Anti-reverse claw
15	B02-1602	Rotor nut retaining plate	45	375-1503	Anti-reverse claw washer
16	B43-6601	Rotor nut retaining plate screw	46	B89-5201	Anti-reverse lever
17	B43-7601	Rotor nut	47	B34-2101	Anti-reverse lever screw
18	B66-0304	Rotor	48	501-6102	Bearing
19	144-2201	Bail spring	49	B78-9501	Drive gear
20	B66-5902	Bail spring cover	50	371-2800	Drive gear washer
21	B01-5802	Bail spring cover screw	51	501-6102	Bearing
22	363-3112	Bail screw	52	B89-5401	Body cover
23	375-1101	Bail washer A	53	B43-8501	Body cover screw
24	B10-5603	Arm lever	54	501-8401	Handle collar
25	B66-5801	Arm lever screw	55	363-8611	Handle screw
26	501-2002	Bail washer B	56	363-4701	Handle screw cap
27	250-4502	Line roller	57	B79-0501	Oscillating gear
28	B89-5301	Bail	58	B78-9801	Oscillating collar
29	B01-5802	Bail holder screw	59	B89-5502	Handle
30	B13-5701	Spring holder			