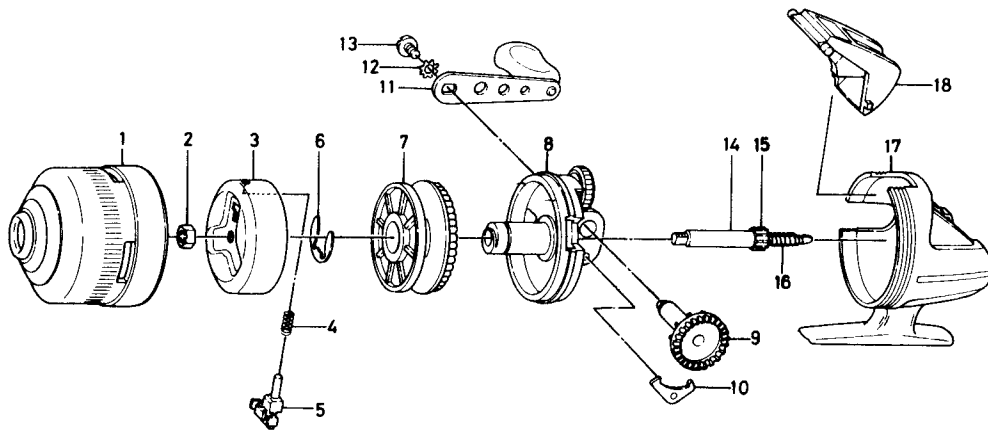


# SPINCASTING REEL S80A/S80



Key No.	Parts No.	Parts Name	Key No.	Parts No.	Parts Name
1	B79-6201	Front cover	13	B08-7301	Handle screw
2	B64-4201	Rotor nut	14	B08-6601	Main shaft
3	B79-6101	Rotor	15	B08-6701	Pinion gear
4	144-1801	Pick up pin spring	16	141-2521	Main shaft spring
5	B08-8206	Pick up pin	17	B78-6501	Body
6	320-0351	Spool retainer	18	B79-5101	Push button
7	B79-5901	Spool			
8	B79-5301	Set plate	<b>S80 Special Parts</b>		
9	B08-6301	Drive gear	1	B79-6202	Front cover
10	770-0501	Anti-reverse claw	8	B79-5302	Set plate
11	B08-7101	Handle	17	B78-6502	Body
12	160-8001	Handle washer			

Sold as one unit  
B08-6501  
Main shaft assembly